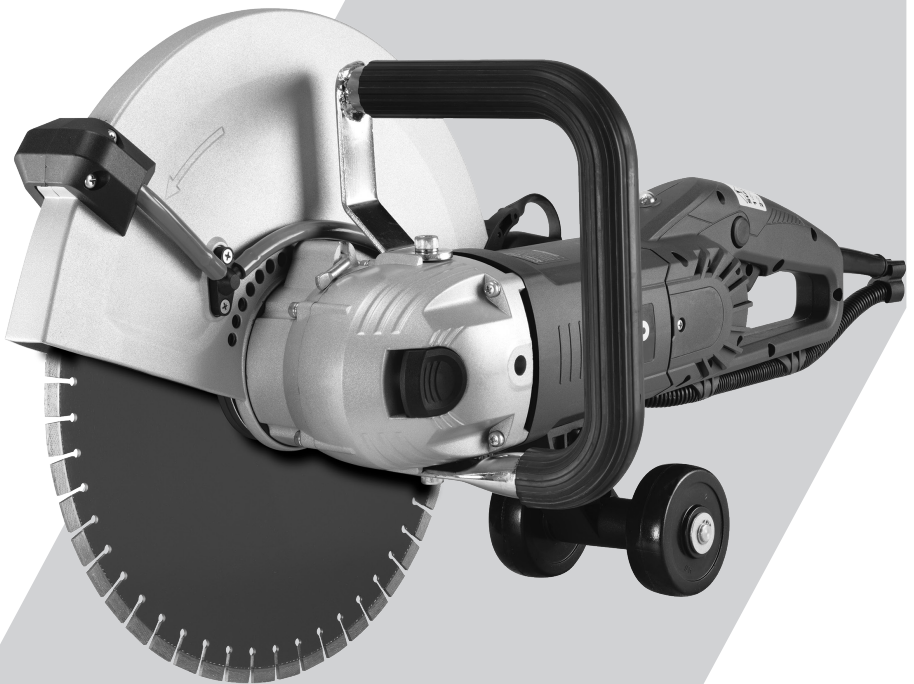


AGP[®]

Concrete Saw

C14



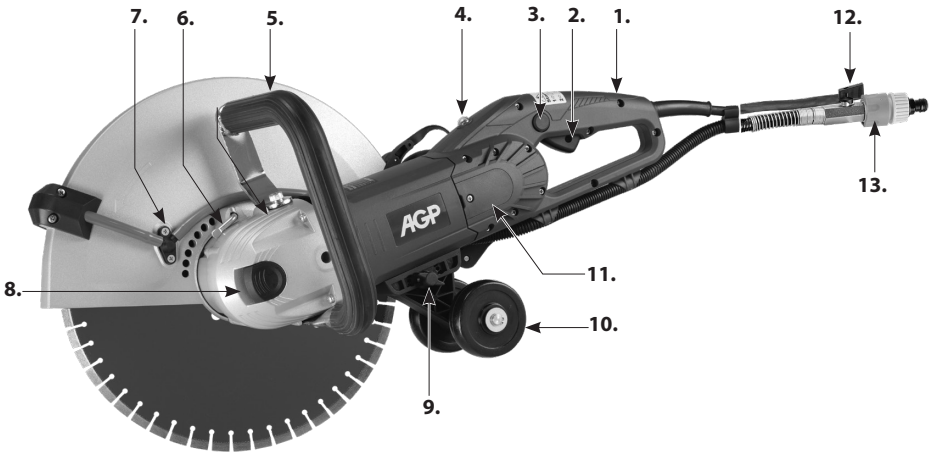
Instruction Manual

CE CB  [®]
C US

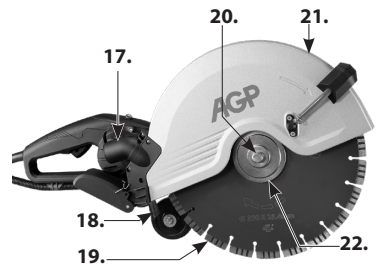
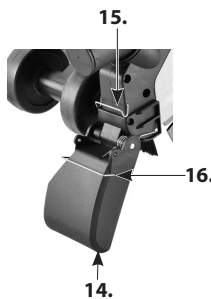


SPECIFICATIONS

Model	C14
Power Input	North America: 15 A, Other Regions: 110-120 V: 2300 W, 220 V: 2800 W, 230-240 V: 3000 W
Voltage	North America: 115 V~60 Hz, Other Regions: See Machine Nameplate
No Load Speed	$n=4500 \text{ min}^{-1}$
Blade Diameter	355 mm (14")
Arbor	25.4 mm (1")
Min. Blade Core Thickness	1.7 mm (0.067")
Max. Blade Core Thickness	4.3 mm (0.169")
Max. Cutting Depth	125 mm (5")
Weight	7.9 kg (17 lb) (8.3 kg (18 lb) with guide rollers)



- 1. Main Handle
- 2. Trigger Switch
- 3. Release Button
- 4. Load Warning Lamp
- 5. Side Handle
- 6. Blade Guard Locking Lever
- 7. Water Feed Nozzle
- 8. Arbor Lock Button
- 9. Butterfly Bolt
- 10. Guide Roller Assembly
- 11. Brush Cover
- 12. Water Feed Valve
- 13. Water Coupling
- 14. Splash Guard
- 15. Female Clip
- 16. Male Clip
- 17. Vacuum Port
- 18. Blade Guard Brush



- 19. Diamond Blade
- 20. Arbor Bolt
- 21. Blade Guard
- 22. Outer Flange

General Safety Rules



WARNING! Read all safety warnings and all instructions. Failure to follow the warnings and instructions may result in electric shock, fire and/or serious injury.

Save all warnings and instructions for future reference.

The term “power tool” in the warnings refers to your mains-operated (corded) power tool or battery-operated (cordless) power tool.

1. WORK AREA SAFETY

- a. **Keep work area clean and well lit.** Cluttered and dark areas invite accidents.
- b. **Do not operate power tools in explosive atmospheres, such as in the presence of flammable liquids, gases or dust.** Power tools create sparks which may ignite the dust or fumes.
- c. **Keep children and bystanders away while operating a power tool.** Distractions can cause you to lose control.
- d. **Never leave the electric power tool unattended.** Only leave the machine when the tool in use has come to a complete standstill.

2. ELECTRICAL SAFETY

- a. **Power tool plugs must match the outlet. Never modify the plug in any way. Do not use any adapter plugs with earthed (grounded) power tools.** Unmodified plugs and matching outlets will reduce risk of electric shock.
- b. **Avoid body contact with earthed or grounded surfaces, such as pipes, radiators, ranges and refrigerators.** There is an increased risk of electric shock if your body is earthed or grounded.
- c. **Do not expose power tools to rain or wet conditions.** Water entering a power tool will increase the risk of electric shock.
- d. **Do not abuse the cord. Never use the cord for carrying, pulling or unplugging the power tool. Keep cord away from heat, oil, sharp edges or moving parts.** Damaged or entangled cords increase the risk of electric shock.
- e. **When operating a power tool outdoors, use an extension cord suitable for outdoor use.** Use of a cord suitable for outdoor use reduces the risk of electric shock.
- f. **If operating a power tool in a damp location is unavoidable, use a residual current device (RCD) protected supply.** Use of an RCD reduces the risk of electric shock.

3. PERSONAL SAFETY

- a. **Stay alert, watch what you are doing and use common sense when operating a power tool. Do not use a power tool while you are tired or under the influence of drugs, alcohol or medication.** A moment of inattention while operating power tools may result in serious personal injury.
- b. **Use personal protective equipment. Always wear eye protection.** Protective equipment such as dust mask, non-skid safety shoes, hard hat, or hearing protection used for appropriate conditions will reduce personal injuries.

- c. **Prevent unintentional starting. Ensure the switch is in the off-position before connecting to power source and/or battery pack, picking up or carrying the tool.** Carrying power tools with your finger on the switch or energising power tools that have the switch on invites accidents.
- d. **Remove any adjusting key or wrench before turning the power tool on.** A wrench or a key left attached to a rotating part of the power tool may result in personal injury.
- e. **Do not overreach. Keep proper footing and balance at all times.** This enables better control of the power tool in unexpected situations.
- f. **Dress properly. Do not wear loose clothing or jewellery. Keep your hair and clothing away from moving parts.** Loose clothes, jewellery or long hair can be caught in moving parts.
- g. **If devices are provided for the connection of dust extraction and collection facilities, ensure these are connected and properly used.** Use of dust collection can reduce dust-related hazards.
- h. **Do not let familiarity gained from frequent use of tools allow you to become complacent and ignore, tool safety principles.** A careless action can cause severe injury within a fraction of a second.

4. POWER TOOL USE AND CARE

- a. **Do not force the power tool. Use the correct power tool for your application.** The correct power tool will do the job better and safer at the rate for which it was designed.
- b. **Do not use the power tool if the switch does not turn it on and off.** Any power tool that cannot be controlled with the switch is dangerous and must be repaired.
- c. **Disconnect the plug from the power source and/or battery pack from the power tool before making any adjustments, changing accessories, or storing power tools.** Such preventive safety measures reduce the risk of starting the power tool accidentally.
- d. **Store idle power tools out of the reach of children and do not allow persons unfamiliar with the power tool or these instructions to operate the power tool.** Power tools are dangerous in the hands of untrained users.
- e. **Maintain power tools. Check for misalignment or binding of moving parts, breakage of parts and any other condition that may affect the power tool's operation. If damaged, have the power tool repaired before use.** Many accidents are caused by poorly maintained power tools.
- f. **Keep cutting tools sharp and clean.** Properly maintained cutting tools with sharp cutting edges are less likely to bind and are easier to control.
- g. **Use the power tool, accessories and tool bits etc. in accordance with these instructions taking into account the working conditions and the work to be performed.** Use of the power tool for operations different from those intended could result in a hazardous situation.
- h. **Keep handles dry, clean and free of oil and grease.** Slippery handles do not allow for safe handling and control of the tool in unexpected situations.

5. SERVICE

- a. **Have your power tool serviced by a qualified repair person using only identical replacement parts.** This will ensure that the safety of the power tool is maintained.
- b. **Only use original parts for repair and maintenance.** The use of incompatible accessories or spare parts can result in electric shocks or other injuries.

Symbols used in this manual

V.....volts

A.....amperes

Hz.....hertz

W.....watt

~.....alternating current

n_orated speed

min^{-1}revolutions or reciprocation
per minute



.....with electrical earth



.....warning of general danger



.....read these instructions



.....always wear eye protection



.....always wear a dust mask.



.....always wear hearing protection



.....wear safety-approved hard hat



.....DANGER! Keep hands away from cutting area
and the blade.



do not dispose of electric tools,
accessories and packaging together
with household waste material

Cut-off machine safety warnings

- **The guard provided with the tool must be securely attached to the power tool and positioned for maximum safety, so the least amount of wheel is exposed towards the operator. Position yourself and bystanders away from the plane of the rotating wheel.** The guard helps to protect operator from broken wheel fragments and accidental contact with wheel.
- **Use only diamond cut-off wheels for your power tool.** Just because an accessory can be attached to your power tool, it does not assure safe operation.
- **The rated speed of the accessory must be at least equal to the maximum speed marked on the power tool.** Accessories running faster than their rated speed can break and fly apart.
- **Wheels must be used only for recommended applications. For example: do not grind with the side of cut-off wheel.** Abrasive cut-off wheels are intended for peripheral grinding, side forces applied to these wheels may cause them to shatter.
- **Always use undamaged wheel flanges that are of correct diameter for your selected wheel.** Proper wheel flanges support the wheel thus reducing the possibility of wheel breakage.
- **Do not use worn down reinforced wheels from larger power tools.** Wheels intended for larger power tools are not suitable for the higher speed of a smaller tool and may burst.
- **The outside diameter and the thickness of your accessory must be within the capacity rating of your power tool.** Incorrectly sized accessories cannot be adequately guarded or controlled.
- **The arbour size of wheels and flanges must properly fit the spindle of the power tool.** Wheels and flanges with arbour holes that do not match the mounting hardware of the power tool will run out of balance, vibrate excessively and may cause loss of control.
- **Do not use damaged wheels. Before each use, inspect the wheels for chips and cracks. If power tool or wheel is dropped, inspect for damage or install an undamaged wheel. After inspecting and installing the wheel, position yourself and bystanders away from the plane of the rotating wheel and run the power tool at maximum no load speed for one minute.** Damaged wheels will normally break apart during this test time.
- **Wear personal protective equipment. Depending on application, use face shield, safety goggles or**

safety glasses. As appropriate, wear dust mask, hearing protectors, gloves and shop apron capable of stopping small abrasive or workpiece fragments. The eye protection must be capable of stopping flying debris generated by various operations. The dust mask or respirator must be capable of filtering particles generated by your operation. Prolonged exposure to high intensity noise may cause hearing loss.

- **Keep bystanders a safe distance away from work area. Anyone entering the work area must wear personal protective equipment.** Fragments of workpiece or of a broken accessory may fly away and cause injury beyond immediate area of operation.
- **Hold the power tool by insulated gripping surfaces only, when performing an operation where the cutting accessory may contact hidden wiring or its own cord.** Cutting accessory contacting a “live” wire may make exposed metal parts of the power tool “live” and could give the operator an electric shock.
- **Position the cord clear of the spinning accessory.** If you lose control, the cord may be cut or snagged and your hand or arm may be pulled into the spinning wheel.
- **Never lay the power tool down until the accessory has come to a complete stop.** The spinning wheel may grab the surface and pull the power tool out of your control.
- **Do not run the power tool while carrying it at your side.** Accidental contact with the spinning accessory could snag your clothing, pulling the accessory into your body.
- **Regularly clean the power tool’s air vents.** The motor’s fan will draw the dust inside the housing and excessive accumulation of powdered metal may cause electrical hazards.
- **Do not operate the power tool near flammable materials.** Sparks could ignite these materials.

Kickback and related warnings

- Kickback is a sudden reaction to a pinched or snagged rotating wheel. Pinching or snagging causes rapid stalling of the rotating wheel which in turn causes the uncontrolled power tool to be forced in the direction opposite of the wheel’s rotation at the point of the binding. For example, if an abrasive wheel is snagged or pinched by the workpiece, the edge of the wheel that is entering into the pinch point can dig into the surface of the material causing the wheel to climb out or kick out. The wheel may either jump toward or away from the operator, depending on direction of the wheel’s movement at the point of pinching. Abrasive wheels may also break under these conditions. Kickback is the result of power tool misuse and/or incorrect operating procedures or conditions and can be avoided by taking proper precautions as given below.
- **Maintain a firm grip on the power tool and position your body and arm to allow you to resist kickback forces. Always use auxiliary handle, if provided, for maximum control over kickback or torque reaction during start-up.** The operator can control torque reactions or kickback forces, if proper precautions are taken.
- **Never place your hand near the rotating accessory.** Accessory may kickback over your hand.
- **Do not position your body in line with the rotating wheel.** Kickback will propel the tool in direction opposite to the wheel’s movement at the point of snagging.
- **Use special care when working corners, sharp edges, etc. Avoid bouncing and snagging the accessory.** Corners, sharp edges or bouncing have a tendency to snag the rotating accessory and cause loss of control or kickback.
- **Do not attach a saw chain, woodcarving blade, segmented diamond wheel with a peripheral gap greater than 10 mm or toothed saw blade.** Such blades create frequent kickback and loss of control.
- **Do not “jam” the cut-off wheel or apply excessive pressure. Do not attempt to make an excessive**

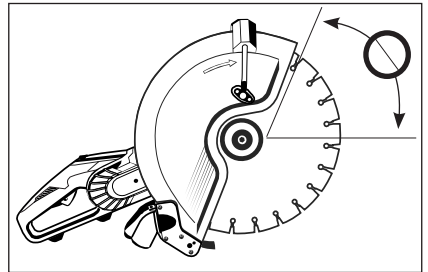
depth of cut. Overstressing the wheel increases the loading and susceptibility to twisting or binding the wheel in the cut and the possibility of kickback or wheel breakage.

- **When wheel is binding or when interrupting a cut for any reason, switch off the power tool and hold the power tool motionless until the wheel comes to a complete stop. Never attempt to remove the cut-off wheel from the cut while the wheel is in motion otherwise kickback may occur.** Investigate and take corrective action to eliminate the cause of wheel binding.
- **Do not restart the cutting operation in the workpiece. Let the wheel reach full speed and carefully re-enter the cut.** The wheel may bind, walk up or kickback if the power tool is restarted in the workpiece.
- **Support panels or any oversized workpiece to minimize the risk of wheel pinching and kickback.** Large workpieces tend to sag under their own weight. Supports must be placed under the workpiece near the line of cut and near the edge of the workpiece on both sides of the wheel.
- **Use extra caution when making a “pocket cut” into existing walls or other blind areas.** The protruding wheel may cut gas or water pipes, electrical wiring or objects that can cause kickback.

Cut-Off Machine Safety Warnings - Additional Safety Rules

WARNING: Avoid cutting in the upper quadrant of the blade, especially when beginning the cut. This area is highly likely to lead to kickback.

WARNING: When cutting plastics, do not allow the plastic to melt. If the plastic melts, it can stick to the blade, leading to kickback.

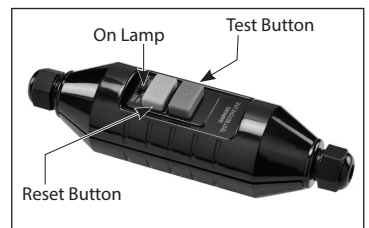


ELECTRICAL CONNECTION

The network voltage must conform to the voltage indicated on the tool name plate. Under no circumstances should the tool be used when the power supply cable is damaged. A damaged cable must be replaced immediately by an authorized Customer Service Center. Do not try to repair the damaged cable yourself. The use of damaged power cables can lead to an electric shock.

WARNING: Never operate a damaged machine. Always tag a damaged machine and take it out of service until repairs can be made.

WARNING: These machines are equipped with a Portable Residual Current Device (PRCD) also known as a Ground Fault Circuit Interrupter (GFCI). Always use this device whenever using the machine to reduce the risk of shock hazards. Always position the PRCD as close as possible to the power source. Test and reset the PRCD device before each use. Press the “Test” button to test. Press the “Reset” button to energize the circuit to the machine.



Note: PRCD (GFCI) appearances vary according to the requirements of various regions. Photos for reference only

INTRODUCTION

This machine is equipped with two handles and a blade guard. The motor has overload and overheat protection. It has an integrated water feed system as required for diamond cutting and has a portable residual current device (PRCD) for electrical safety. It must only be used with a diamond blade or abrasive wheel.. It is intended for cutting masonry, stone, concrete, reinforced concrete and similar materials. All other uses are prohibited.

LIST OF CONTENTS

- Concrete Saw
- Guide Roller Assembly
- M17 Combination Wrench
- Splash Guard

ASSEMBLY

- Mount the blade. (See below "Mounting the Blade")
- Mount the Guide Roller Assembly if desired (See below "Guide Roller Assembly")
- Mount the blade guard brush (See below "Blade Guard Brush" for assembly instructions)
- Mount the splash guard (See below "Splash Guard" for assembly instructions)

DIAMOND BLADES

Allowed Types Of Blades

This machine may only use diamond blades or abrasive wheels

- Only use either segmented or continuous rim diamond blades.
- If the diamond blades are segmented, the maximum allowable peripheral gap between segments is 10mm and must be with a negative rake angle.
- Only diamond blades of 355mm (14") or less may be used.
- Blade thickness must be at least 2.4mm (0.095") and no greater than 6.35mm (0.250").
- Blade core thickness must be at least 1.7 mm (0.067"), and no greater than 4.3 mm (0.169")

Blade Storage And Transport

Do not store or transport the machine with the blade mounted. Remove the blade and store in such a way that it is protected from being bent or damaged when the machine is not in use-this will help prevent damage to the blade.

A damaged blade can cause irregular conditions, this can cause imbalance and result in a hazard. Always inspect new blades for storage or transport damage.

About Diamond Blades

Diamond blades consist of a steel core with diamond segments added to its periphery.

Diamond blades are available for different hardnesses of masonry materials, stone, concrete, reinforced concrete, etc.

Some diamond blades are designed to be used wet only, while others are designed to be allowed to be used dry. Refer to the blade manufacturer's instructions.

Generally speaking, even if the blade is specified as a dry type blade, diamond tools always work better when wet, and dry cutting should be limited to situations in which water cannot or should not be used. Water will prevent the blade from overheating, greatly reduce the amount of harmful dust created by cutting, remove the slurry from the cut, and extend the life of the blade. Dry cutting of very hard materials such as porcelain or reinforced concrete will lead to rapid tool wear and possible failure.

The diamond impregnated segments operate on a principle of controlled erosion. The bond matrix holding the diamonds is continually worn away by abrasion with the workpiece, exposing the harder diamonds to stand proud from the bond matrix. Blades made for cutting harder materials will have a softer bond, allowing the diamonds project more aggressively (but will not last as long). Blades made for cutting softer, abrasive materials will have a harder bond, allowing them to resist the abrasiveness of the material and to last longer. With enough erosion of the bond matrix (the diamonds not exposed) and the blade becomes dull. This is called glazing. If the blade seems to refuse to cut anymore, it is glazed.

See below: **"Sharpening a Glazed Blade"**

Never use a sharp motion or the blade will be damaged. Conversely, don't feed too gently or the diamond segments will become glazed. Keep the blade steadily working.

Take great care to keep the blade perpendicularly aligned to the kerf. If the blade is crooked, it will easily bind.

When cutting reinforced concrete, if embedded steel is encountered, take special care. Reduce the feed pressure by about 1/3 and let the blade go at its own pace, if there is too much vibration the blade may be destroyed. Once the steel is passed, continue normally.

NOTE: Never use a wet-type diamond blade without water. It will overheat and be destroyed.

NOTE: When using dry blades, do not allow them to overheat. It is best to cut no longer than about 60 seconds at a time, with 10 second running in air cool down times in between.

Always mount the blade with the arrow matching the direction of rotation of the machine (A direction arrow is marked on the blade guard).

WARNING: Never use blades for cutting a material other than the material they were intended for.

SHARPENING A GLAZED BLADE

Diamond blades may become glazed (dull). Once the diamond segments are glazed, the blade's cutting performance will degrade and the segments will overheat. To sharpen the blade, turn down the water feed and make a few cuts in a very soft, abrasive material such as brick or an alumina oxide or silicon carbide dressing stone.

MOUNTING THE BLADE

First make sure that the machine is unplugged.

Then, using the 17mm combination wrench, engage the arbor bolt and turn the arbor while pressing on the arbor lock. When the arbor reaches the right position, the arbor lock will be allowed to engage. Then the arbor bolt may be loosened and the plain outer flange may be removed.

The inner flange of this machine is 1" (25.4mm). Check the inner flange to ensure that the size matches the bore of the blade .

Inspect the blade before use. It must not be cracked, warped or damaged in any way that would cause a hazard in operation. Loose diamond segments can be ejected at high speed, causing possible injury. Always check that the diamond segments are not under cut. If the diamond segments are thinner or nearly thinner than the blade core, the kerf will be too tight fitting and could easily lead to kickback.

Ensure that the flanges and blade bore are clean and undamaged and that everything fits properly. The flanges may not be used if they are warped, the surface is uneven, burred or if they are dirty. The arbor bolt and arbor threads must be undamaged. Inspect the blades for segment damage, arbor hole damage or any other damage which could cause hazardous operation.

The protruding edge of the inner flange should be facing the blade. Then mount the blade to the inner flange and add the outer flange. Add the arbor bolt and tighten to 15-25 Nm.

WARNING: Do not attempt to mount a blade which does not match the mounting hardware. It will lead to eccentric running and vibration which will be uncontrollable.

ADJUSTING THE BLADE GUARD

The blade rotates clockwise when viewed from the arbor end. Therefore, most of the cutting debris, sparks and slurry is thrown to the rear. So the blade guard should be adjusted so that the rear edge is flush with the workpiece.

TO ADJUST

First pull out the locking lever against the spring tension, then rotate the blade guard to the desired position. Allow the locking lever to engage the nearest slot in the guard to lock it into position.



BLADE GUARD BRUSH

There is a removable brush at the rear of the guard to help contain sparks, dust, debris and slurry. To install, simply push the brush into the slot in the bottom of the dust port bracket until it clicks in place. This brush may be pulled straight out to replace when worn.

SPLASH GUARD

The spring-loaded splash guard is useful to help to contain slurry which splashes toward the back. To install, simply clip into place on the back of the dust port bracket. To remove, tilt upward to pop free. If the splash guard is not needed, such as when cutting dry, it may be clipped up out of the way. Simply engage the male clip on the flap with the female clip on the mount. Unclip to release.

WATER CONNECTION

Water is a basic requirement for diamond sawing with wet-type diamond blades. The water serves as a coolant to avoid the working surface of the diamond segments from overheating.

Water also keeps down dust and flushes away abrasive particles.

WARNING: Always use the PRCD (GFCI) when operating with water

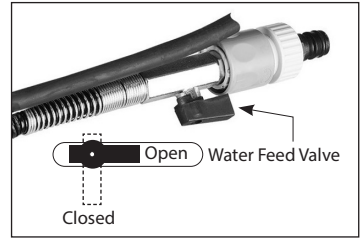
WARNING: Never allow water to enter the motor. It could lead to an electric shock.

WARNING: Check all connections of the water feed system to ensure there are no leaks. Inspect hoses and other critical parts which could deteriorate.

WARNING: The maximum water pressure should not exceed 70 psi (4 bar).

Use a water collector with a wet vacuum to collect cooling water if nearby objects could be damaged by water. The water feed system is built into the machine. To connect with the water supply, first pull the quick-release collar to remove the female side of the water coupling. Then unscrew the nut and engage the coupling to the water hose. Now reconnect the water coupling to the male water feed valve. Press it until it clicks. The water flow is controlled by the water feed valve. The water to the blade may be finely adjusted to the required amount.

NOTE: Contaminants in the water supply can easily plug up the fine water nozzles in the blade guard. Ensure that the supply water is clean. If you find that there is no water flow to the blade, then clean out the water feed system on the machine.



GUIDE ROLLER ASSEMBLY

The guide rollers make it easier to keep the blade plane perpendicular to the workpiece. To install, slacken the butterfly bolt slightly and engage the four claws with the four eyelets on the bottom of the motor housing, then tighten the butterfly bolt.



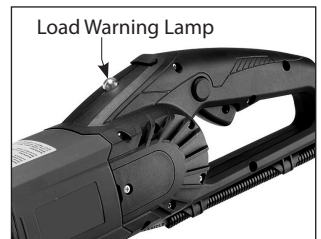
OVERLOAD PROTECTION, OVERHEAT PROTECTION

Overload & Load Warning Lamp

When full load is reached, the load warning lamp will flash red. If full load is exceeded and sustained for too long, the motor will shut down and the load warning lamp will glow solid red. In this case, the motor must be first shut off and then restarted.

Overheat Thermal Protection

If the temperature of the motor gets too high, the thermal protection will shut the motor down. The switch must be first shut off and then restarted. When this happens, do not immediately start cutting after restarting the



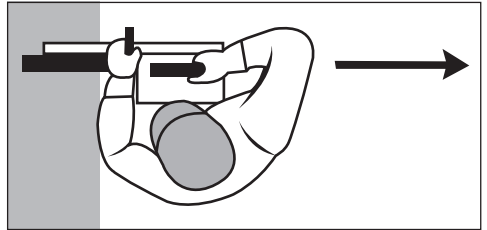
motor. Always run the machine at no load for a few minutes to return to a normal operating temperature before continuing.

CAUTION: The motor will be damaged if it is repeatedly overloaded or overheated. Always cool the motor by running at no load for a few minutes whenever it stops from either overheat or overload.

OPERATION

How to hold the machine

- Always hold the machine with both hands, with the right hand on the main handle and with the left hand on the side handle. (This applies even if the operator is left-handed)
- Do not stand directly in line with the blade. Rather, stand in such a way that, if it kicks back, you will not be in the path of the blade.
- Never lean over the blade path. That would put your body in line with the blade if it kicks back.
- Do not cut above shoulder height.
- Never cut while standing on a ladder or other unstable platform.

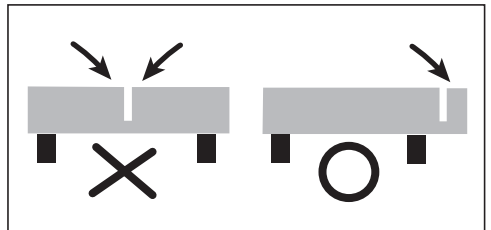


Before cutting

- Check the area where the cut is to be made to ensure that it is clear of objects which could cause the operator to stumble.
- Before cutting, it is sometimes useful to mark the line of cut with chalk or the like. For straight cutting, a wood plank is also useful in guiding the machine to make a straight cut.
- Ensure that all bystanders are at a safe distance.
- Ensure that all safety equipment is in place.

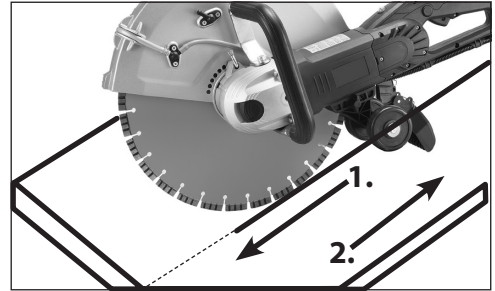
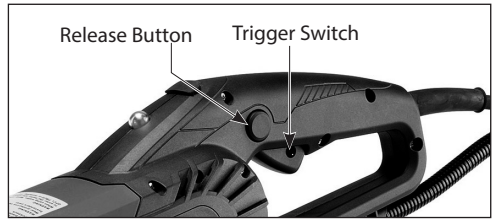
Proper Support for the Workpiece

- Support the workpiece on in such a way that the kerf will not pinch down on the blade.
- Secure the workpiece so that it will not roll, slip away or move due to vibration while cutting
- The cutting sequence is important when making cutouts. Always make the last cut in a way that avoids the blade being pinched. Thus, make the bottom horizontal cut first, then the sides and finally make the top horizontal cut last.
- Make note of the weight of the workpiece and the direction which it will fall when it is cut through.
- Whenever there is a situation where severing the workpiece will cause a hazardous situation, leave a tab of material intact and finish off the operation with a chisel or the like.



Cutting Technique

- Holding the machine with both hands to resist the start up torque, press the release button and then squeeze the trigger switch.
- Allow the machine to reach full speed before contacting the workpiece.
- Adjust the water flow as needed by turning the water feed valve.
- Then gently begin the cut with the rear portion of the blade until the kerf is established. Make the first cut in the forward direction (so that you can see the line of cut). Then make following cuts in the backward direction.
- Do not try to cut too much depth in one pass. Never exceed about 50mm (2") per pass.
- It's a good idea to first cut a shallow guiding groove before proceeding to make the main cut. If any correction is needed. Lift the blade and cut slightly ahead and then back into the existing kerf. Take care to avoid the blade being pinched.
- In round workpieces, the best technique is to use a slow, uniform back and forth motion while cutting with the bottom quadrant of the blade.
- Do not allow the machine to bog down. Limit your feed pressure to keep the blade spinning at high speed.
- Never side load the blade in the kerf.
- Concrete cutting is very stressful for the motor: After the cut is finished, it is a good practice to run the machine at no load for a short time to lower the motor temperature before stopping.



Stopping

Release the trigger to stop the machine. After the trigger is released, the blade will continue spinning for a time.

WARNING: Do not set the machine down until the blade has stopped turning.

Note: Always ensure the vacuum cleaner's dust bag is not too full. An overfilled dust bag will have reduced dust collection efficiency which could result in poor dust control.

OPTIONAL DUST SKID

The dust skid dramatically improves dust collection for dry cutting.

Note: Do not use for wet cutting, as the slurry will harden inside it and cause it to clog.

To install, first remove the splash guard.

Remove the pivot pin in the dust skid by turning 90 degrees and pulling out. Place the dust skid in place on the dust port bracket. Line up the holes and insert the pivot pin. The pin locks by a bayonet mount. Turn so that pin can insert fully, then turn 90 degrees to lock in place. Ensure that it pivots freely. finally, attach the vacuum hose. Removal is the opposite of mounting.

Note: Always ensure the vacuum cleaner's dust bag is not too full. An overfilled dust bag will have reduced dust collection efficiency which could result in poor dust control.

MAINTENANCE AND CLEANING

This machine operates in a very harsh environment. The slurry created by wet cutting and the dust created by dry cutting gets sucked into the motor's cooling slots and enters the motor. The slurry of brick and concrete contains salts and other corrosive substances which will severely shorten the life of the motor or cause electrical shorts if allowed to accumulate. Therefore, it's essential for the long life of the tool that it be thoroughly cleaned after each use. Compressed air should be blown through the machine's cooling slots at the back of the machine while the motor is running.

Daily Maintenance

1. Keep the machine clean
2. Check to ensure that the power supply cable is in good condition.
3. Ensure all screws are tight.
4. Check the condition of all safety equipment such as the blade guard
5. Check the blade for damage.

Carbon Brushes

The carbon brushes are a normal wearing part and must be replaced when they reach their wear limit. This machine is equipped with auto-stop carbon brushes. If the machine comes to a stop unexpectedly, the brushes should be checked. The auto-stop brush design protects the motor by stopping the machine before the carbon brushes are completely worn out.

Caution: Always replace the brushes as a pair.

To replace

1. Remove the screw and remove the brush cover.
2. Using pliers rotate the brush spring out of the way and slide the old carbon brush out of the brush holder.
3. Unscrew the screw to remove the brush lead. The old carbon brush may now be lifted away.
4. Install a new brush. Installation is the reverse of removal.
5. Replace the brush cover.



If the replacement of the power supply cord is necessary, this has to be done by the manufacturer or their agent in order to avoid a safety hazard.

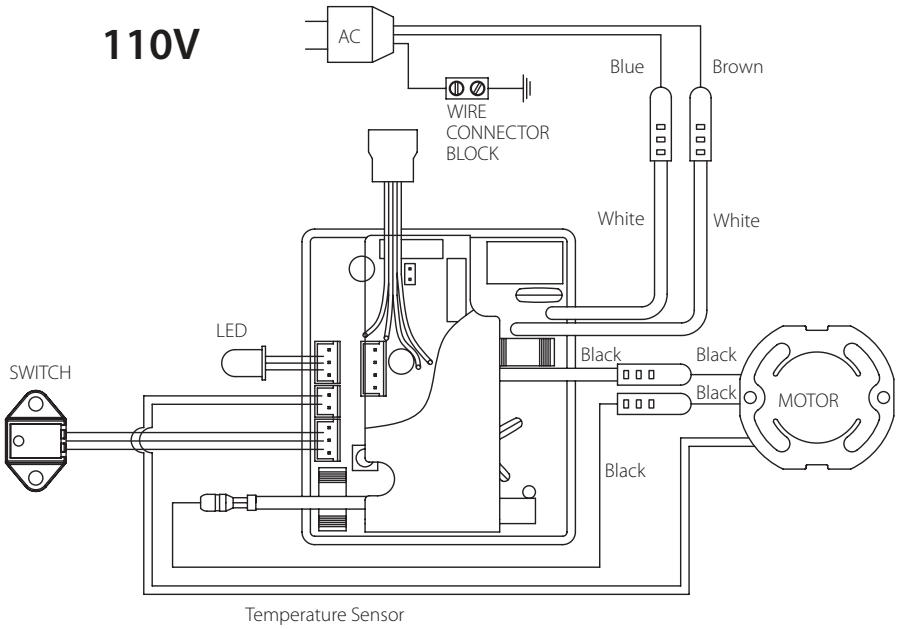
WARNING: All repairs must be entrusted to an authorized service center. Incorrectly performed repairs could lead to injury or death.

Do not throw electric power tools into the household waste!

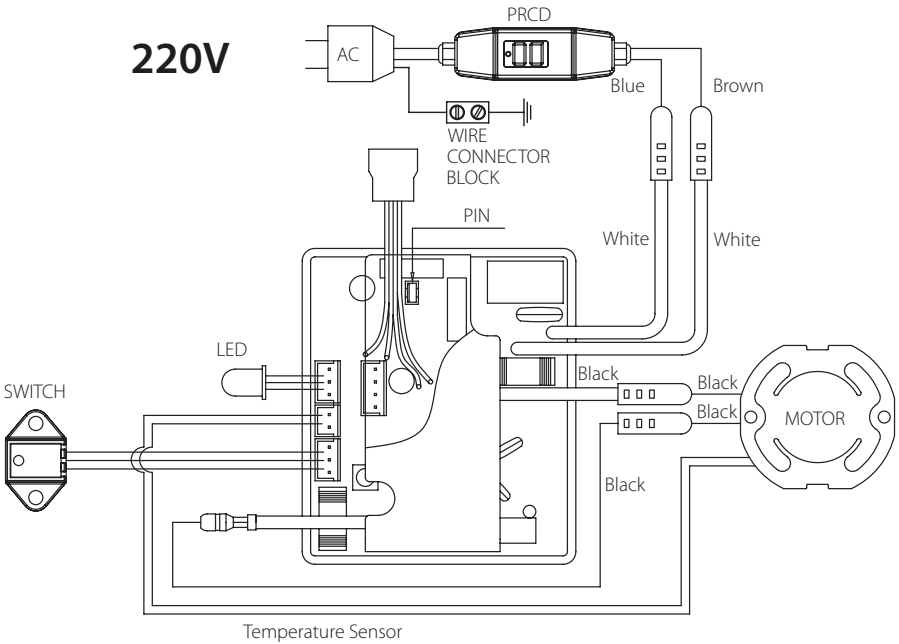
In accordance with the European Directive 2002/96/EG on Waste Electrical and Electronic Equipment and transposition into national law, used electric power tools must be collected separately and recycled in an environmentally friendly manner.

WIRING

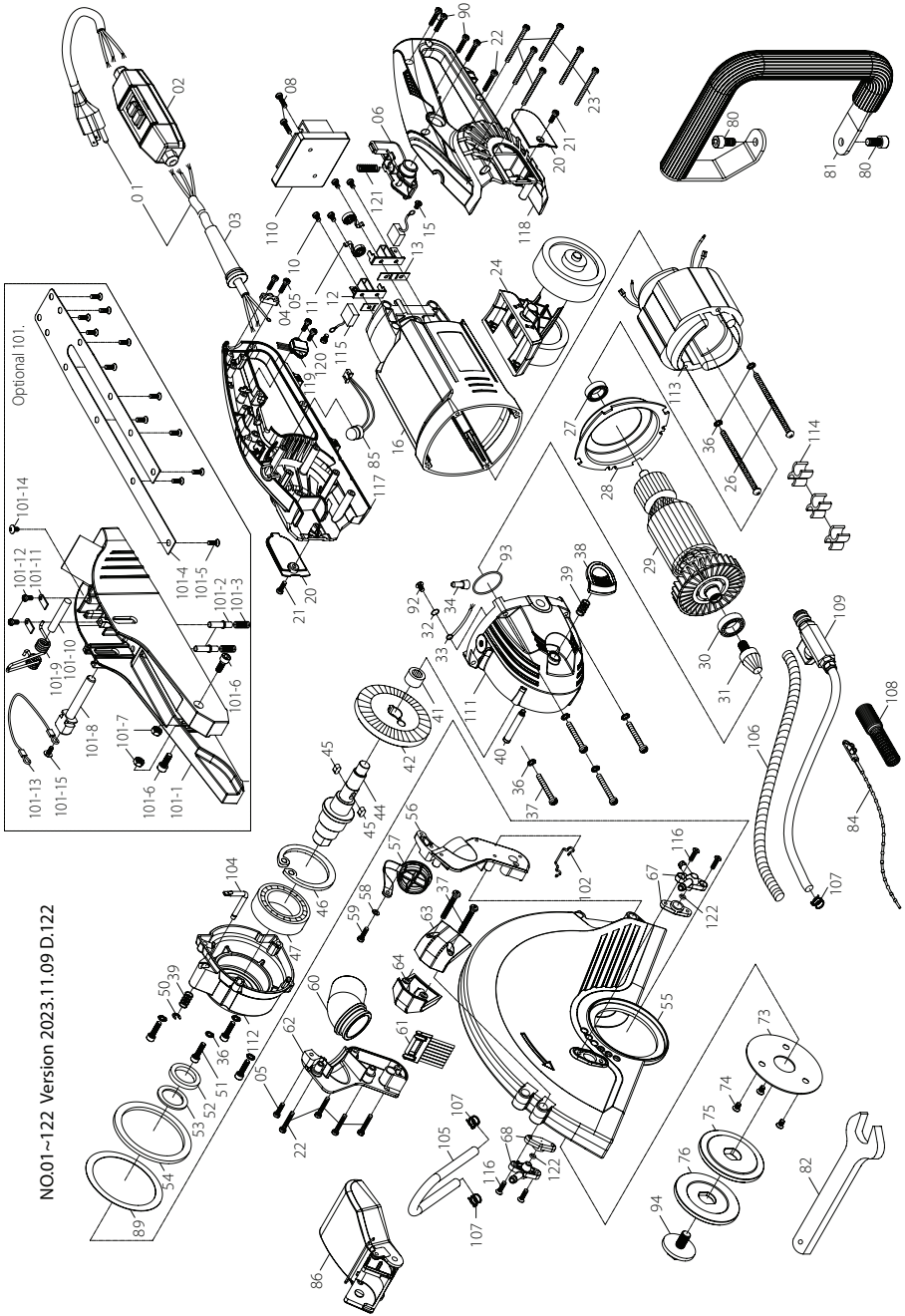
110V



220V



EXPLODED VIEW



NO.01~122 Version 2023.11.09 D.122

PARTS LIST

NO.	Parts Name	Q'TY	NO.	Parts Name	Q'TY
1	POWER SUPPLY CABLE (VDE-1.5x3Cx3M-H07RNF)	1	67	WATER NOZZLE ASSY.-L	1
2	PRCD INTERRUPTER PROTECTION (220V)	1	68	WATER NOZZLE ASSY.-R	1
3	CORD ARMOR	1	73	RETAINING PLATE	1
4	CABLE CLIP	1	74	FLAT HEAD MACHINE SCREW (M5x8xP0.8)	3
5	PANHEAD TAPPING SCREW (M4x14)	3	75	INNER FLANGE (Ø25.4)	1
6	SWITCH ACTUATOR (LOCK-OFF)	1	76	COUNTER FLANGE	1
8	PANHEAD TAPPING SCREW (M4x16)	2	80	SOCKET CAP SCREW (M8x16xP1.25)	2
10	PANHEAD TAPPING SCREW (M4x16)	4	81	FRONT HANDLE	1
11	BRUSH SPRING (0.4x4x3T)	2	82	WRENCH (M17)	1
12	CARBON BRUSH HOLDER (7x17)	2	84	ZIP TIE (KTV-150BK)	1
13	INSULATION PLATE (10x38x1)	2	85	LED INDICATOR LIGHT	1
15	PANHEAD MACHINE SCREW (M4x6xP0.7)	2	86	SPLASH GUARD	1
16	MOTOR HOUSING	1	89	PLASTIC RING (Ø74xØ91.5x0.25)	1
20	CARBON CAP	2	90	PANHEAD TAPPING SCREW (M4x20)	3
21	PANHEAD TAPPING SCREW (M4x12)	2	92	TRUSS HEAD MACHINE SCREW (M4x10xP0.7)	1
22	PANHEAD TAPPING SCREW (M4x25)	6	93	O-RING (Ø35x1.5)	1
23	PANHEAD TAPPING SCREW (M4x50)	6	94	BOLT (M10xP1.5)	1
24	GUIDE ROLLER ASSY.	1	101	DRY DUST SKID ASSY	1
26	PANHEAD TAPPING SCREW (M5x80)	2	101-1	DUST SKID BODY	1
27	BALL BEARING (6200)	1	101-2	PLUNGER	2
28	FAN SHROUD	1	101-3	SPRING (Ø1xØ6.2xØ8.2x10Tx35L)	2
29	ARMATURE (220V-100x54.1x65)	1	101-4	CRADLE PLATE	1
30	BALL BEARING (6202)	1	101-5	FLAT HEAD TAPPING SCREW (M4x14)	12
31	BEVEL PINION GEAR (M2.35x6T)	1	101-6	SOCKET CAP SCREW (M6-1.0 x 16)	2
32	EXTERNAL STAR WASHER (M4)	1	101-7	HEX NUT (M6xP1.0)	2
33	WIRE LEAD (1007-20#35CM)	1	101-8	BAYONET PIN	1
34	CRIMP CAP CONNECTOR (C4)	1	101-9	TORSION SPRING	1
36	SPRING WASHER (M5)	10	101-10	BEARING BOLT	1
37	PANHEAD TAPPING SCREW (M5x35)	6	101-11	MOUNTING STRAP	2
38	SPINDLE LOCK BUTTON	1	101-12	PANHEAD TAPPING SCREW (M4x10)	2
39	SPRING (Ø0.9xØ7.4xØ9.2x5Tx16L)	2	101-13	TETHER	1
40	ARBOR LOCK	1	101-14	TRUSS HEAD TAPPING SCREW (M4x8)	1
41	NEEDLE BEARING (TA1212)	1	101-15	TRUSS HEAD MACHINE SCREW (M4x8xP0.7)	1
42	BEVEL GEAR (M2.35x37T)	1	102	CLIP-FEMALE	1
44	SPINDLE (M10xP1.5-116.6MM)	1	104	L-CLEVIS PIN	1
45	PARALLEL KEY (5x5x10)	2	105	TUBE (Ø6.4xØ10x0.24M)	1
46	INTERNAL CIRCLIP (R-62)	1	106	CABLE PROTECTOR (Ø10x75CM)	1
47	BALL BEARING (6206)	1	107	CLIP	3
50	E-CLIP (E-5)	1	108	SPRING	1
51	SOCKET CAP SCREW (M5x25xP0.8)	4	109	WATER FEED CONNECTOR KIT	1
52	OIL SEAL (Ø25xØ35x5)	1	110	ELECTRONICS UNIT (220V)	1
53	FELT OILER (Ø25xØ35x2.5)	1	111	GEAR HOUSING	1
54	RUBBER FENDER (Ø75xØ91x4)	1	112	GEAR PLATE	1
55	INNER SAFETY COVER	1	113	STATOR (220V-100x54.1x65)	1
56	DUST PORT BRACKET-LEFT	1	114	HOSE JOINER (Ø10xØ14.4)	3
57	DUST PORT PLUG	1	115	CARBON BRUSH (7x17x19)(220V)	2
58	FLAT WASHER (Ø4xØ10x1)	1	116	FLAT HEAD TAPPING SCREW (M4x14)	4
59	PANHEAD TAPPING SCREW (M4x10)	1	117	HANDLE HALF-RIGHT	1
60	DUST ATTACHMENT	1	118	HANDLE HALF-LEFT	1
61	BLADE GUARD BRUSH	1	119	HALL EFFECT SWITCH	1
62	DUST PORT BRACKET-RIGHT	1	120	PANHEAD TAPPING SCREW (M4x12)	2
63	TUBE GUIDE-LEFT	1	121	SPRING (Ø0.8 x Ø6.4 x Ø8 x 9T x 26L)	1
64	TUBE GUIDE-RIGHT	1	122	O-RING (Ø4x1.5)	2

Noise/vibration information

Measured in accordance with EN 60745-2-22

Model no. : C14

Noise level: Sound pressure level(L_{pA}): 104 dB(A) Sound power level(L_{WA}): 115 dB(A) $K=3.0$ dB

Vibration level: $a_h=11.0$ m/s² $K=1.5$ m/s²

The vibration emission level has been measured in accordance with a standardised test given in EN 60745; it may be used to compare one tool with another and as a preliminary assessment of exposure to vibration when using the tool for the applications mentioned

- using the tool for different applications, or with different or poorly maintained accessories, may significantly increase the exposure level

- the times when the tool is switched off or when it is running but not actually doing the job, may significantly reduce the exposure level

protect yourself against the effects of vibration by maintaining the tool and its accessories, keeping your hands warm, and organizing your work patterns

CE Declaration of Conformity

•We declare under our sole responsibility that this product is in conformity with the following standards or standardized documents: EN 60745-1: 2009 + A11: 2010 & EN 60745-2-22: 2011 + A11: 2013, EN 61000, EN 55014 in accordance with the regulations 2006/42/EC, 2014/30/EU, 2011/65/EU

•Technical file at: LEE YEONG INDUSTRIAL CO., LTD., NO.2, KEJIA RD., DOULIU CITY, YUNLIN COUNTY 64057, TAIWAN

You-Chun, Liu
Operation & Engineering

You chun Liu

Chih-Hao, Lai
Approval Manager

chih HAO LAI

LEE YEONG INDUSTRIAL CO., LTD.,
NO.2, KEJIA RD., DOULIU CITY, YUNLIN COUNTY 64057, TAIWAN 12.30.2016

LEE YEONG INDUSTRIAL CO., LTD.

NO.2, KEJIA RD., DOULIU CITY,
YUNLIN COUNTY 64057, TAIWAN

TEL: 886-5-5518689 (REP)

Fax: 886-5-5518635

