

# AGP<sup>®</sup>

## Concrete Chain Saw

CS11



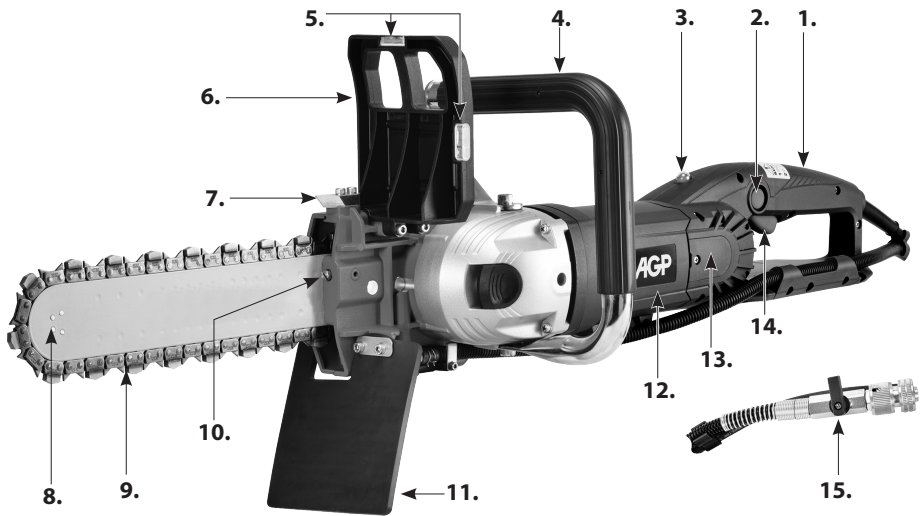
### Instruction Manual

CE CB

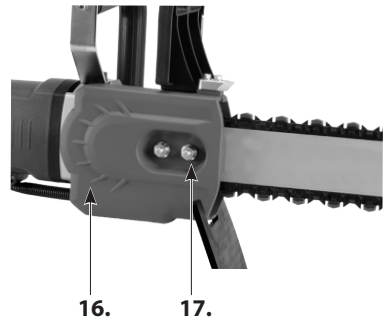


## SPECIFICATIONS

Model	CS11
Power Input	220-240 V: 2800 W (certificate), 3200 W (actual)
	110-120 V: 2600 W (certificate), 3000 W (actual)
Voltage	220-240 V~ 50/60 Hz or 110-120 V~ 50/60 Hz (see machine nameplate)
No Load Speed $\text{min}^{-1}$	10,000
Max. Linear speed	20.65 m/s
Diamond Chain	25 link
Sprocket Pitch	3/8"
Guide Bar Nominal Size	330 mm (13")
Guide Bar Overall Length	382 mm (15")
Max. Depth of Cut	300 mm (11.8")
Protection Class	Class I
Dimensions (L x W x H)	630 (930 mm with guide bar) x 215 x 280 mm
Weight	8.0 kg (17.6 lb), (8.94 kg (19.7 lb) with guide bar & chain)



- |                       |                      |
|-----------------------|----------------------|
| 1. Main Handle        | 10. Tension Adjustor |
| 2. Trigger Release    | 11. Splash Flap      |
| 3. LED Load Indicator | 12. Motor            |
| 4. Side Handle        | 13. Brush Cover      |
| 5. Levels             | 14. Trigger Switch   |
| 6. Hand Guard         | 15. Water Feed Valve |
| 7. Bumper Spike       | 16. Side Cover       |
| 8. Guide Bar          | 17. Side Cover Nuts  |
| 9. Diamond Chain      |                      |



# GENERAL SAFETY INSTRUCTIONS



**WARNING** Read all safety warnings and all instructions. Failure to follow the warnings and instructions may result in electric shock, fire and/or serious injury.

**Save all warnings and instructions for future reference.**

The term "power tool" in the warnings refers to your mains-operated (corded) power tool.

## 1) WORK AREA SAFETY

- a. **Keep work area clean and well lit.** Cluttered or dark areas invite accidents.
- b. **Do not operate power tools in explosive atmospheres, such as in the presence of flammable liquids, gases or dust.** Power tools create sparks which may ignite the dust or fumes.
- c. **Keep children and bystanders away while operating a power tool.** Distractions can cause you to lose control.
- d. **Never leave the electric power tool unattended.** Only leave the machine when the tool in use has come to a complete standstill.

## 2) ELECTRICAL SAFETY

- a. **Power tool plugs must match the outlet. Never modify the plug in any way. Do not use any adapter plugs with earthed (grounded) power tools.** Unmodified plugs and matching outlets will reduce risk of electric shock.
- b. **Avoid body contact with earthed or grounded surfaces, such as pipes, radiators, ranges and refrigerators.** There is an increased risk of electric shock if your body is earthed or grounded.
- c. **Do not expose power tools to rain or wet conditions.** Water entering a power tool will increase the risk of electric shock.
- d. **Do not abuse the cord. Never use the cord for carrying, pulling or unplugging the power tool. Keep cord away from heat, oil, sharp edges or moving parts.** Damaged or entangled cords increase the risk of electric shock.
- e. **When operating a power tool outdoors, use an extension cord suitable for outdoor use.** Use of a cord suitable for outdoor use reduces the risk of electric shock.
- f. **If operating a power tool in a damp location is unavoidable, use a residual current device (RCD) / ground fault circuit interrupter (GFCI) protected supply.** Use of an RCD / GFCI reduces the risk of electric shock.

## 3) PERSONAL SAFETY

- a. **Stay alert, watch what you are doing and use common sense when operating a power tool. Do not use a power tool while you are tired or under the influence of drugs, alcohol or medication.** A moment of inattention while operating power tools may result in serious personal injury.

- b. **Use personal protective equipment. Always wear eye protection.** Protective equipment such as dust mask, non-skid safety shoes, hard hat, or hearing protection used for appropriate conditions will reduce personal injuries.
- c. **Prevent unintentional starting. Ensure the switch is in the off-position before connecting to power source and/or battery pack, picking up or carrying the tool.** Carrying power tools with your finger on the switch or energising power tools that have the switch on invites accidents.
- d. **Remove any adjusting key or wrench before turning the power tool on.** A wrench or a key left attached to a rotating part of the power tool may result in personal injury.
- e. **Do not overreach. Keep proper footing and balance at all times.** This enables better control of the power tool in unexpected situations.
- f. **Dress properly. Do not wear loose clothing or jewellery. Keep your hair, clothing and gloves away from moving parts.** Loose clothes, jewellery or long hair can be caught in moving parts.
- g. **If devices are provided for the connection of dust extraction and collection facilities, ensure these are connected and properly used.** Use of dust collection can reduce dust-related hazards.
- h. **Do not let familiarity gained from frequent use of tools allow you to become complacent and ignore tool safety principles.** A careless action can cause severe injury within a fraction of a second.

#### 4) POWER TOOL USE AND CARE

- a. **Do not force the power tool. Use the correct power tool for your application.** The correct power tool will do the job better and safer at the rate for which it was designed.
- b. **Do not use the power tool if the switch does not turn it on and off.** Any power tool that cannot be controlled with the switch is dangerous and must be repaired.
- c. **Disconnect the plug from the power source and/or the battery pack from the power tool before making any adjustments, changing accessories, or storing power tools.** Such preventive safety measures reduce the risk of starting the power tool accidentally.
- d. **Store idle power tools out of the reach of children and do not allow persons unfamiliar with the power tool or these instructions to operate the power tool.** Power tools are dangerous in the hands of untrained users.
- e. **Maintain power tools. Check for misalignment or binding of moving parts, breakage of parts and any other condition that may affect the power tool's operation. If damaged, have the power tool repaired before use.** Many accidents are caused by poorly maintained power tools.
- f. **Keep cutting tools sharp and clean.** Properly maintained cutting tools with sharp cutting edges are less likely to bind and are easier to control.
- g. **Use the power tool, accessories and tool bits etc. in accordance with these instructions, taking into account the working conditions and the work to be performed.** Use of the power tool for operations different from those intended could result in a hazardous situation.
- h. **Keep handles and grasping surfaces dry, clean and free from oil and grease.** Slippery handles and grasping surfaces do not allow for safe handling and control of the tool in unexpected situations.

#### 5) SERVICE

**Have your power tool serviced by a qualified repair person using only identical replacement parts.** This will ensure that the safety of the power tool is maintained.

## Symbols used in this manual

V.....volts

A.....amperes

Hz.....hertz

W.....watt

~.....alternating current

$n_0$ .....no load speed

$\text{min}^{-1}$ .....revolutions or reciprocation  
per minute



.....warning of general danger



.....with electrical earth



.....read these instructions



.....always wear a dust mask.



.....wear eye, ear and head protection.



.....Do not expose to rain.



.....Remove plug from the mains immediately if the  
cable is damaged or cut.



do not dispose of electric tools, accessories and  
packaging together with household waste material

## GENERAL CHAIN SAW SAFETY WARNINGS

- a. **Keep all parts of the body away from the saw chain when the chain saw is operating. Before you start the chain saw, make sure the saw chain is not contacting anything.** A moment of inattention while operating chain saws may cause entanglement of your clothing or body with the saw chain.
- b. **Always hold the chain saw with your right hand on the rear handle and your left hand on the front handle.** Holding the chain saw with a reversed hand configuration increases the risk of personal injury and should never be done.
- c. **Hold the chain saw by insulated gripping surfaces only, because the saw chain may contact hidden wiring or its own cord.** Saw chains contacting a "live" wire may make exposed metal parts of the chain saw "live" and could give the operator an electric shock.
- d. **Wear eye protection. Further protective equipment for hearing, head, hands, legs and feet is recommended.** Adequate protective equipment will reduce personal injury from flying debris or **accidental contact with the saw chain.**
- e. **Do not operate a chain saw in a tree, on a ladder, from a rooftop, or any unstable support.** Operation of a chain saw in this manner could result in serious personal injury.
- f. **Always keep proper footing and operate the chain saw only when standing on fixed, secure and level surface.** Slippery or unstable surfaces may cause a loss of balance or control of the chain saw.
- g. **Carry the chain saw by the front handle with the chain saw switched off and away from your body. When transporting or storing the chain saw, always fit the guide bar cover.** Proper handling of the chain saw will reduce the likelihood of accidental contact with the moving saw chain.
- h. **Follow instructions for lubricating, chain tensioning and changing the bar and chain.** Improperly tensioned or lubricated chain may either break or increase the chance for kickback.
- i. **Cut concrete, masonry, and similar materials only. Do not use chain saw for purposes not intended. For example: do not use chain saw for cutting wood, metal, or plastic materials.** Use of the chain

saw for operations different than intended could result in a hazardous situation.

## CAUSES AND OPERATOR PREVENTION OF KICKBACK

Kickback may occur when the nose or tip of the guide bar touches an object, or when the workpiece closes in and pinches the saw chain in the cut. Tip contact in some cases may cause a sudden reverse reaction, kicking the guide bar up and back towards the operator. Pinching the saw chain along the top of the guide bar may push the guide bar rapidly back towards the operator. Either of these reactions may cause you to lose control of the saw which could result in serious personal injury. Do not rely exclusively upon the safety devices built into your saw. As a chain saw user, you should take several steps to keep your cutting jobs free from accident or injury. Kickback is the result of chain saw misuse and/or incorrect operating procedures or conditions and can be avoided by taking proper precautions as given below:

- a. Maintain a firm grip, with thumbs and fingers encircling the chain saw handles, with both hands on the saw and position your body and arm to allow you to resist kickback forces.** Kickback forces can be controlled by the operator, if proper precautions are taken. Do not let go of the chain saw.
- b. Do not overreach and do not cut above shoulder height.** This helps prevent unintended tip contact and enables better control of the chain saw in unexpected situations.
- c. Only use replacement guide bars and saw chains specified by the manufacturer.** Incorrect replacement guide bars and saw chains may cause chain breakage and/or kickback.
- d. Follow the manufacturer's sharpening and maintenance instructions for the saw chain.** Decreasing the depth gauge height can lead to increased kickback.

## INTRODUCTION

This tool is specifically designed for wet cutting of concrete, masonry and similar materials. It must not be used for cutting wood or felling trees. Although it is similar in appearance to a wood chain saw, it has significant differences in principles and techniques which will be detailed throughout this instruction manual. This chain saw must not be converted or modified for any other use, other than as specified in these operating instructions. The user shall be liable for damages and accidents due to incorrect use.

## CARTON CONTENTS

- Chain Saw Motor Head
- Guide Bar
- Diamond Chain
- T-Wrench

## SAFETY DEVICES

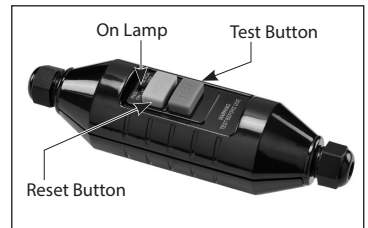
1. **Hand Guard:** Protects the hand from debris and helps to block a broken chain. Never operate without the hand guard in place. Replace if damaged.
2. **Splash Flap:** Protects from thrown debris and slurry. Never operate without the splash flap in place. Replace if damaged.

## ELECTRICAL CONNECTION

The network voltage must conform to the voltage indicated on the tool name plate.

Under no circumstances should the tool be used when the power supply cable is damaged. A damaged cable must be replaced immediately by an authorized Customer Service Center. Do not try to repair the damaged cable yourself. The use of damaged power cables can lead to an electric shock.

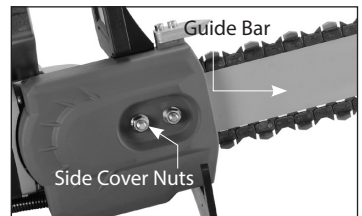
**WARNING: This machine is equipped with a Portable Residual Current Device (PRCD) also known as a Ground Fault Circuit Interrupter (GFCI). Always use this device whenever using the machine to reduce the risk of shock hazards. Test and reset the PRCD device before each use. Press the “Test” button to test. Press the “Reset” button to energize the circuit.**



**WARNING!: If 110V UK machines are not equipped with a PRCD portable residual current device or GFCI ground fault circuit interrupter, the machine must always be used with an isolating transformer for protection in case an electrical fault should occur. Use an RCD in a separate control box with one or more socket outlets in accordance with EN 60309-2 with the earthing contact position 1 h. Always use a residual current device with a tripping current of 30 mA or less.**

## INSTALLING THE GUIDE BAR AND CHAIN

1. With the 2 side cover nuts removed and the side cover removed, slacken the tension adjustor by turning anticlockwise.
2. Slip the guide bar into position over the studs with the hole engaged with the adjustor pin. (the bar is symmetrical and may be installed with either side up)
3. Place the chain around the drive sprocket first, ensuring that the drive links engage the sprocket teeth.
4. Starting from the drive sprocket end, loop the chain around the guide bar nose sprocket, ensuring that the drive links engage with the guide bar groove and remain engaged with the sprockets.
5. Place the side cover in position and thread on the 2 side cover nuts, leaving them finger tight only (to allow the tension adjustor to be adjusted). They will be tightened fully after tensioning according to the instructions below.



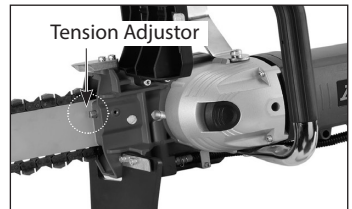
## TENSIONING THE CHAIN

**Note: Proper chain tension with a concrete chain saw is much looser than with a wood chain saw. It must be loose enough to run freely with only water as its lubrication.**

- An over tensioned chain will give unnecessary load to the motor and will lead to premature chain stretch, sprocket damage, and spindle bearing damage.
- An overly slack chain could fly off the guide bar and could also jump teeth on the drive sprocket, leading to premature wear of the sprocket and the chain's drive links.
- In use, the chain must be readjusted if it hangs below the guide bar 10mm or more

1. To tension the chain, first loosen the 2 side cover nuts and leave them finger tight.

**CAUTION: attempting to turn the adjuster without loosening the side cover nuts could result in damage to the adjustor mechanism.**

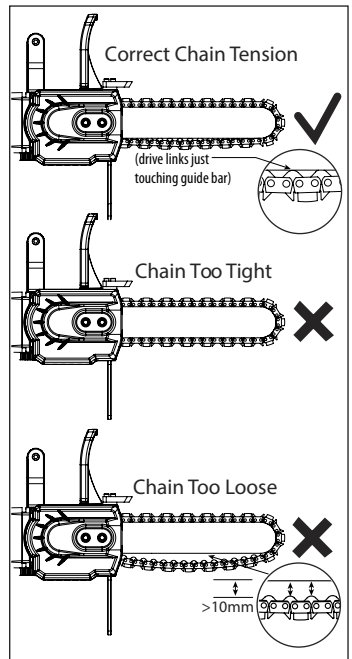


2. While holding the guide bar upward from the nose end, turn the tension adjustor clockwise to tighten.
3. Rotate the chain by hand, grabbing the chain by its diamond segments, to ensure the chain rotates freely.

**WARNING: Wear gloves when handling the chain and bar. Keep fingers away from the edges of the guide bar rails. When worn, they will have a very sharp edge.**

When the associated parts have some wear, there will be some positions where the chain is looser and other positions where it is tighter. Find the tightest point, and make the final adjustment at that position.

4. Tension is correct when the chain is free to run around the guide bar, and the chain will hang with the drive links just barely engaging the guide bar groove at the bottom center position.
5. Once adjustment is satisfactory, the 2 side cover nuts may be tightened. While still holding guide bar upward, tighten the 2 side cover nuts firmly.



**CAUTION: Running the saw with the side cover nuts loose will cause a hazardous situation and could lead to damage to the tension adjustor mechanism.**



## WATER SUPPLY

This tool must always be used with a supply of clean water at a minimum pressure of at least 1.5bar (20 psi). The water serves as a coolant to avoid the working surface of the diamond segments from overheating and since it is not possible to use oil, the water also serves as the only lubricant available for the chain and guide bar. Sufficient water pressure will maximize chain life.

To connect the water supply, attach the quick-release water coupling to a water hose and regulate the water flow by adjusting the water feed valve.

**CAUTION: Never use this tool without water, the diamonds will overheat and the O-rings in the chain will fail from the excessive heat.**

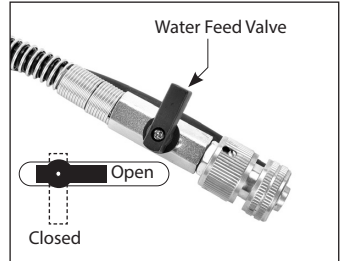
**WARNING: Check all connections of the water feed system to ensure there are no leaks. Inspect hoses and other critical parts which could deteriorate.**

**WARNING: The maximum water pressure should not exceed 70 psi (4 bar).**

**WARNING: Never allow water to enter the motor.**

**NOTE: Contaminants in the water supply can easily plug up the water nozzles in the water feed system. Ensure that the supply water is clean. If you find that there is no water flow to the chain, then clean out the water feed system on the machine.**

**NOTE: Use a wet vacuum to collect cooling water if nearby objects could be damaged by water.**



## DIAMOND SEGMENTS

The diamond impregnated segments on a diamond chain operate on a principle of controlled erosion. The bond matrix holding the diamonds is continually worn away by abrasion with the work piece, exposing the harder diamonds to stand proud from the bond matrix. Without adequate water, the segments would overheat and be destroyed. With not enough feed pressure, there would not be adequate erosion of the bond matrix and the segments will smooth over and become dull. This is called glazing. If the chain seems to refuse to cut anymore, it is glazed. See below: **"SHARPENING A NEW OR GLAZED CHAIN "**

Don't feed too gently or the diamond segments will become glazed. If you push too hard, the motor will overload. Find the sweet spot to keep the chain steadily working.

If the cut is very deep, the work material may be obstructing the flow of cooling water. Expect increased chain wear in this situation.

**NOTE: A new chain will not have its diamonds exposed yet. They will be hidden in the bond matrix. To open up the diamonds, sharpen in the same manner as a glazed chain below.**

## SHARPENING A NEW OR GLAZED CHAIN

If the chain is new, or if the chain's diamond segments become glazed, sharpen by making a few cuts into an appropriate alumina oxide or silicon carbide dressing stone. Simply make shallow plunge cuts into the stone as many times as necessary to restore its cutting performance. If a dressing stone is not available, cutting into a highly abrasive work material, such as cinder block will also work.

## CHOOSING A DIAMOND CHAIN

This chain saw uses a 25 link diamond chain and a 13" guide bar. Chains with different types of diamond segments are available for different applications.

- Choose a chain with soft bond segments for hard materials, such as reinforced concrete. Trying to use a chain with hard bond segments to cut hard materials will lead to unsatisfactorily slow cutting and the chain will need to be resharpened many times.
- Choose a chain with a hard bond segments for softer, more abrasive materials. Using a chain with soft bond segments to cut soft materials will lead to unnecessarily shorter segment life. By choosing the correct chain for the application, cutting will be more effective and economical.

## STARTING AND STOPPING TOOL

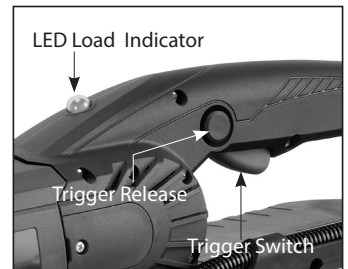
### To switch on:

This machine has a lock-off type switch. First press the trigger release, then squeeze the trigger switch to switch on. For safety reasons, the switch is not possible to lock on.

### To switch off:

Release the trigger switch to stop the machine. After the machine has been switched off, the chain will still rotate for a few seconds, take care that parts of your body do not come into contact with the chain while it is still rotating!

**WARNING: Do not set the machine down until the chain has stopped turning.**



## OVERLOAD PROTECTION, OVERHEAT PROTECTION

### Overload & Load Warning Indicator

When the tool is operating within its normal load range, the LED load indicator will glow green. When full load is reached, the load indicator will flash red. If full load is exceeded and sustained for too long, the motor will shut down and the load indicator will glow solid red. In this case, the motor must be first shut off and then restarted.

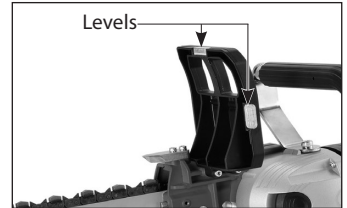
## Overheat Thermal Protection

If the temperature of the motor gets too high, the thermal protection will shut the motor down. The switch must be first shut off and then restarted. When this happens, do not immediately start cutting after restarting the motor. Always run the machine at no load for a few minutes to return to a normal operating temperature before continuing.

**CAUTION: The motor will be damaged if it is repeatedly overloaded or overheated. Always cool the motor by running at no load for a few minutes whenever it stops from either overheat or overload.**

## LEVELS

There are two spirit levels on the tool which allow the operator to align the tool in the vertical and horizontal planes



## OPERATION

### a. Before operating, first check for:

- Proper chain tension and ensure guide bar nuts are tight
- Good condition of the chain, guide bar, and drive sprocket
- Connect the water supply, check for leaks and for proper water flow to the chain
- Ensure all safety equipment is in place and functioning normally
- Mark the line of cut before beginning.

**WARNING: A new operator should perform some practice cuts under controlled conditions to become familiarized with concrete chain saw techniques. Experience with a wood cutting chain saw does NOT qualify an operator to use a concrete chain saw.**

**WARNING: Position the power supply cord so that it will not become caught on worksite obstacles.**

**CAUTION: Do not attempt to enter a kerf which is narrower than the chain. This will damage the diamond segments.**

**CAUTION: Avoid the chain being pinched in the kerf. Plan the cut, and support the workpiece if necessary, to avoid the kerf closing down on the chain as cutting progresses.**

**NOTE: When cutting concrete with embedded rebar, always cut in such a way that the chain is cutting both concrete and rebar at the same time. The concrete will help to keep the diamond segments sharp.**

### b. Begin the cut with the nose of the guide bar:

When beginning the cut, start with the nose of the guide bar, since the nose contains a sprocket, which will offer the minimum friction for the chain. Since there is less water flow into the kerf with the nose of the bar, the remainder of the cut should be performed by cutting with the guide bar fully plunged into the kerf.

**NOTE: The cutting technique for concrete is very different from a wood cutting chain saw, where cutting with the nose of the guide bar must be avoided. With a wood cutting chain saw, the hook-shaped saw teeth can easily grab the wood fibers, leading to a kickback hazard. Diamond segments which are cutting concrete do not behave in the same way. They simply abrade the workpiece without grabbing so aggressively. Still, always hold the saw firmly with both hands to resist kickback forces.**

**c Beginning the cut:**

With the chain running at full speed, slowly approach the workpiece with the nose of the guide bar and plunge in. Hold the saw as straight as possible.

Start by making a shallow, 10 to 20mm outline cut along the entire cutting line with the nose of the guide bar. Then plunge in deeper and complete the cut.

While cutting, keep steady feed pressure on the tool to prevent the chain from chattering and bouncing. Use enough pressure so that the motor audibly slows by about 20-30%. This will keep the diamonds sharp. Use the bumper spike for leverage to assist in keeping pressure on the cutting face.

**d Square cut-outs:**

When performing large square cut-outs, after the initial shallow outline cut, carefully hold the saw as squarely as possible and plunge cut each of the corners all of the way through.

Make the bottom horizontal cut first, then drive some wedges into kerf of the bottom if the cut section is large and heavy. Next, perform the 2 side vertical cuts. Make the top horizontal cut last.

This cutting sequence will avoid the chain being pinched by the workpiece.

**WARNING:** Ensure that appropriate bracing is in place to control falling of the concrete as the final cut is completed. Concrete is extremely heavy and could lead to severe injury if it falls in an uncontrolled manner.

**e Pipe cutting:**

When cutting a concrete pipe, support the pipe so that it will not pinch the chain. Plunge straight through the pipe, leaving a tab of uncut material at the very top, which will keep the pipe stable while cutting. Cut this tab last to complete the cut.

## **WEARING PARTS**

**1. Diamond Chain**

The diamond segments will wear away with normal use. In addition, the chain itself will stretch due to accumulated wear of each joint of the chain. Inspect each segment of the chain before each use, noting any segment damage or undue wear.

**2. Guide Bar**

The guide bar rails will wear from abrasion with the chain. If the saw tends to cut to one side, the rails have worn unevenly. The guide bar rails can be re-squared by carefully sanding on a bench mounted belt sander. If the chain's drive links are touching the bottom of the guide bar grooves, the guide bar must be replaced. Running a good chain on worn out guide bar will prematurely wear out its drive links and the motor will overload easily from the excessive friction.

Extra life can be had from the guide bar by flipping it over to the other side, since the bottom wears faster than the top. It is a good practice to flip the guide bar each time you replace a chain. Generally, the guide bar will need to be replaced after about 3 chains.

### 3. Drive Sprocket

Running a good chain on a worn out sprocket will prematurely wear out its drive links. After about 3 chains, the drive sprocket will wear away and need replacement.

## CHANGING THE DRIVE SPROCKET

To change the drive sprocket, first remove the side cover, chain, and guide bar. Using circlip pliers, remove the circlip, then the washer which retain the drive sprocket, then lift the sprocket off the splines. Replacement is the reverse of removal.

## MAINTENANCE

This machine operates in a harsh environment with water and slurry. At the end of each work day, thoroughly clean the machine with water, then oil the bar and chain with a water displacing spray such as WD-40 to prevent rust. Ensure that the water feed ports are clear. Chain tension should be checked frequently and readjusted immediately when necessary. Inspect all parts of the saw for proper function before each use. Pay special attention to the condition of the chain, inspecting each diamond segment for wear or damage.

## CARBON BRUSHES

The carbon brushes are a normal wearing part and must be replaced when they reach their wear limit. This machine is equipped with auto-stop carbon brush holders. If the machine comes to a stop unexpectedly, the brushes should be checked. The auto-stop brush design protects the motor by stopping the machine before the carbon brushes are completely worn out.

Caution: Always replace the brushes as a pair.

### To replace

1. Remove the screw and remove the brush cover.
2. Using pliers rotate the brush spring out of the way and slide the old carbon brush out of the brush holder.
3. Unscrew the screw to remove the brush lead. The old carbon brush may now be lifted away.
4. Install a new brush. Installation is the reverse of removal.
5. Replace the brush cover.



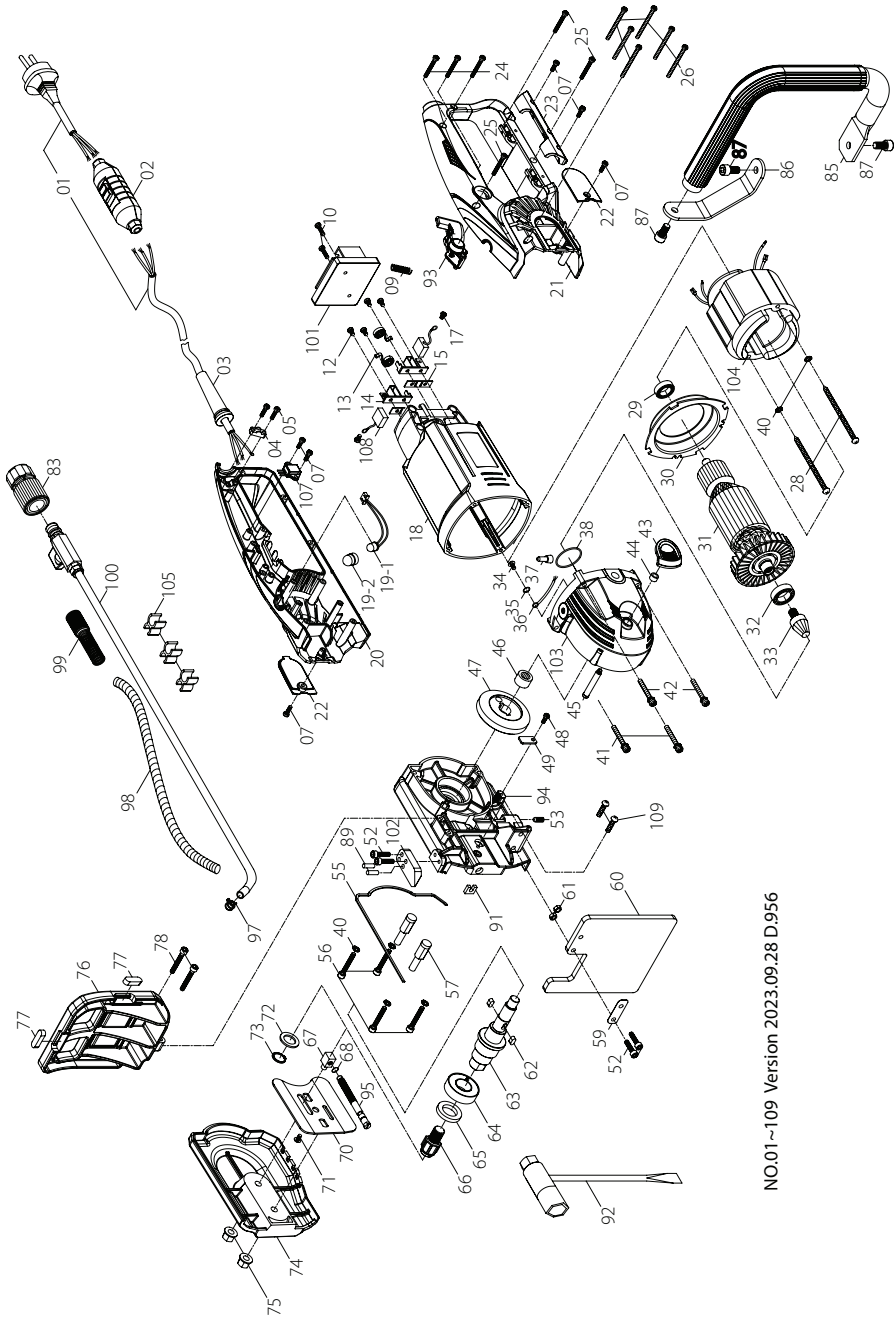
**WARNING: If the replacement of the power supply cord is necessary, this has to be done by the manufacturer or their agent in order to avoid a safety hazard.**

**WARNING: All repairs must be entrusted to an authorized service center. Incorrectly performed repairs could lead to injury or death.**

Do not throw electric power tools into the household waste!

In accordance with the European Directive 2002/96/EG on Waste Electrical and Electronic Equipment and transposition into national law, used electric power tools must be collected separately and recycled in an environmentally friendly manner.

# EXPLODED VIEW



NO.01~109 Version 2023.09.28 D.956

# PARTS LIST

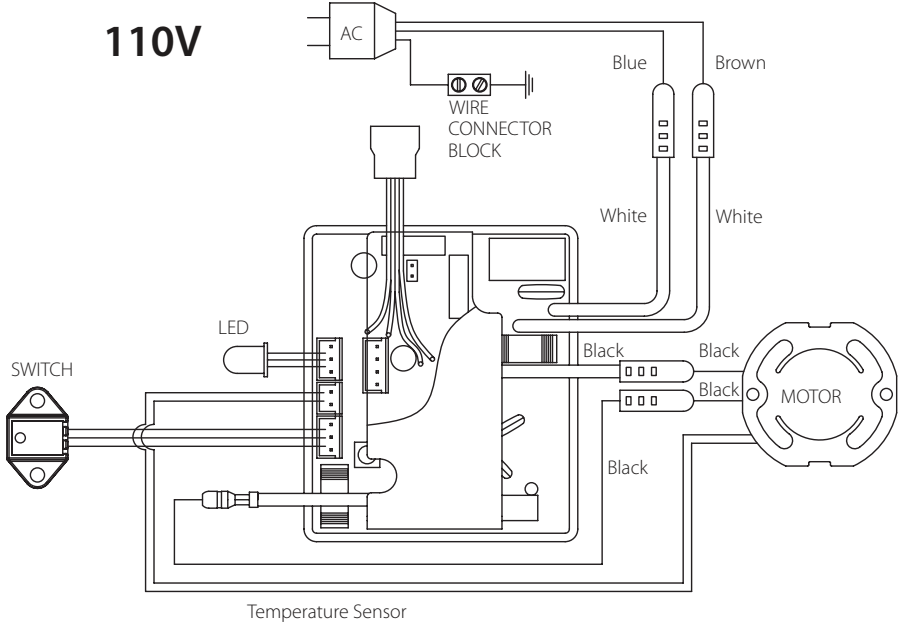
NO.	Parts Name	Q'TY	NO.	Parts Name	Q'TY
1	POWER SUPPLY CABLE (UK-2.5x3Cx3M-H07RNF)	1	53	SOCKET SET SCREW (M6x8xP1.0)	1
1	POWER SUPPLY CABLE (BS-1.5x3Cx3M-H07RNF)	1	55	MOLDED GASKET (Ø2.5 x 30cm)	1
1	POWER SUPPLY CABLE (VDE-1.5x3Cx3M-H07RNF)	1	56	SOCKET CAP SCREW (M5x35xP0.8)	4
2	PRCD INTERRUPTER PROTECTION (110V/220V)	1	57	FIXING STUD	2
3	CORD ARMOR (Ø15.5)	1	59	RETAINING PLATE	1
4	CABLE CLIP	1	60	SPLASH FLAP	1
5	PANHEAD TAPPING SCREW (M4x14)	2	61	NYLOCK NUT (M5xP0.8)	2
7	PANHEAD TAPPING SCREW (M4x12)	6	62	PARALLEL KEY (5x5x10)	2
9	SPRING (Ø0.8 x Ø6.4 x Ø8 x 9T x 26L)	1	63	SPINDLE	1
10	PANHEAD TAPPING SCREW (M4x16)	2	64	BALL BEARING (6004)	1
12	PANHEAD TAPPING SCREW (M4x16)	4	65	OIL SEAL (Ø20xØ32x5)	1
13	BRUSH SPRING (0.4x4x3T)	2	66	SPROCKET ARBOR	1
14	CARBON BRUSH HOLDER (7x17)	2	67	ADJUSTOR BLOCK	1
15	INSULATION PLATE (10x38x1)	2	68	O-RING (Ø5x1)	1
17	PANHEAD MACHINE SCREW (M4x6xP0.7)	2	70	ADJUSTOR PLATE	1
18	MOTOR HOUSING	1	71	FLAT HEAD MACHINE SCREW (M4x10xP0.7)	1
19	LED INDICATOR LIGHT	1	72	FLAT WASHER (Ø16xØ30x2)	1
20	HANDLE HALF-RIGHT	1	73	EXTERNAL CIRCLIP (S-16)	1
21	HANDLE HALF-LEFT	1	74	SIDE COVER	1
22	CARBON CAP	2	75	FLANGE NUT (M8xP1.25)	2
23	HOSE RETAINER	1	76	HAND GUARD	1
24	PANHEAD TAPPING SCREW (M4x20)	3	77	TUBULAR SPIRIT LEVEL	2
25	PANHEAD TAPPING SCREW (M4x25)	3	78	SOCKET CAP SCREW (M5x25xP0.8)	2
26	PANHEAD TAPPING SCREW (M4x50)	6	83	WATER COUPLING	1
28	PANHEAD TAPPING SCREW (M5x90)	2	85	SIDE HANDLE	1
29	BALL BEARING (6200)	1	86	HANDLE BRACKET	1
30	FAN SHROUD	1	87	SOCKET CAP SCREW (M8x16xP1.25)	3
31	ARMATURE (110V/220V-100x54.1x75)	1	89	PIN (Ø4x15.8)	2
32	BALL BEARING (6202)	1	91	THRUST PLATE	1
33	BEVEL PINION GEAR (M2.0 x 14T)	1	92	T-WRENCH	1
34	TRUSS HEAD MACHINE SCREW (M4x10xP0.7)	1	93	SWITCH ACTUATOR (LOCK-OFF)	1
35	EXTERNAL STAR WASHER (M4)	1	94	GEAR PLATE	1
36	WIRE LEAD (1007-20#35CM)	1	95	TENSION ADJUSTOR SCREW	1
37	CRIMP CAP CONNECTOR (C4)	1	97	CLIP	1
38	O-RING (Ø35x1.5)	1	98	CABLE PROTECTOR (Ø10x110CM)	1
40	SPRING WASHER (M5)	6	99	SPRING	1
41	PANHEAD TAPPING SCREW (M5x45)	2	100	WATER FEED CONNECTOR KIT	1
42	PANHEAD TAPPING SCREW (M5x50)	2	101	ELECTRONICS UNIT (110V/220V)	1
43	SPINDLE LOCK BUTTON	1	102	BUMPER SPIKE	1
44	HEAD LOCKING KNOB (Ø7xØ12x5.6)	1	103	GEAR HOUSING	1
45	ARBOR LOCK	1	104	STATOR (110V/220V-100x54.1x75)	1
46	NEEDLE BEARING (TA1212)	1	105	HOSE JOINER ( Ø12xØ14.4)/( Ø10xØ14.4)	3
47	BEVEL GEAR (M2.0x32T)	1	107	HALL EFFECT SWITCH	1
48	SOCKET CAP SCREW (M4x12xP0.7)	1	108	CARBON BRUSH (7x17x19)(110V/220V)	2
49	CLAMP PLATE	1	109	TRUSS HEAD MACHINE SCREW (M4-0.7 x 6)	2
52	SOCKET CAP SCREW (M5x20xP0.8)	4			



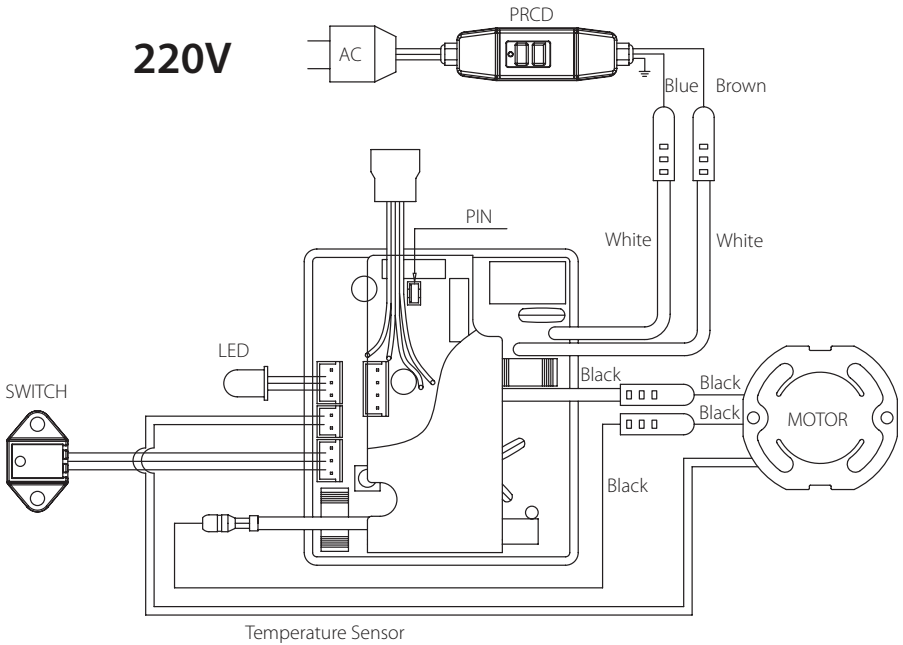


# WIRING

## 110V



## 220V



## Noise/vibration information

Measured in accordance with EN 62841-1

### Model no. : CS11

**Noise level:** Sound pressure level( $L_{pA}$ ): 100.5 dB(A)    Sound power level( $L_{wA}$ ): 111.5 dB(A)     $K=3$  dB

**Vibration level:**  $a_{hv} = 4.3 \text{ m/s}^2$                        $K = 1.5 \text{ m/s}^2$

The vibration emission level has been measured in accordance with a standardised test given in EN 62841; it may be used to compare one tool with another and as a preliminary assessment of exposure to vibration when using the tool for the applications mentioned

- using the tool for different applications, or with different or poorly maintained accessories, may significantly increase the exposure level
- the times when the tool is switched off or when it is running but not actually doing the job, may significantly reduce the exposure level

protect yourself against the effects of vibration by maintaining the tool and its accessories, keeping your hands warm, and organizing your work patterns

## CE Declaration of Conformity

•We declare under our sole responsibility that this product is in conformity with the following standards or standardized documents: EN 60745, EN 61000, EN 55014 in accordance with the regulations 2014/30/EU, 2006/42/EC, 2011/65/EU

•Technical file at: LEE YEONG INDUSTRIAL CO., LTD., NO.2, KEJIA RD., DOULIU CITY, YUNLIN COUNTY 64057, TAIWAN

You-Chun, Liu  
Operation & Engineering

*You chun Liu*

Chih-Hao, Lai  
Approval Manager

*chih hao lai*

LEE YEONG INDUSTRIAL CO., LTD.,  
NO.2, KEJIA RD., DOULIU CITY, YUNLIN COUNTY 64057, TAIWAN    01.07.2019

**LEE YEONG INDUSTRIAL CO., LTD.**

NO.2, KEJIA RD., DOULIU CITY,  
YUNLIN COUNTY 64057, TAIWAN

TEL: 886-5-5518689 (REP)

Fax: 886-5-5518635



