



DME52D Dry Diamond Core Drill Motor

Jun. 2024

Internal & Confidential

AGP | DME52D Dry Diamond Core Drill Motor

AGP TAIWAN

Lee Yeong Industrial Co., Ltd.

No.2, Kejia Rd., Douliu City, 64057, Taiwan

Tel : 886-5-5518689 Fax : 886-5-5518635

AGP EUROPE BV

Evenbroekveld 16D, 9420 Erpe-Mere, Belgium

Tel : +32 53 21 62 22 Fax : +32 53 83 88 20



Introduction

Target group & Applications

DME52D Introduction

The DME52D is a versatile two-speed dry drilling motor with soft percussion. Differentiating it from its brother, the DM52D, the DME52D has external dust collection for drilling highly abrasive materials.



Target Group & Applications

Areas using kalksandstein (silicate stone) as building material (mainly in Holland & Germany). The dust created by kalksandstein is very thin, and it can go into the gear box when soft impact is applied. This tool will be suitable for plumbers, HVAC installers, electricians, and more. The external dust extractor feature is specially designed for area where silicate stone (kalksandstein) are applied, mainly in Netherlands and Germany.



Sales Arguments



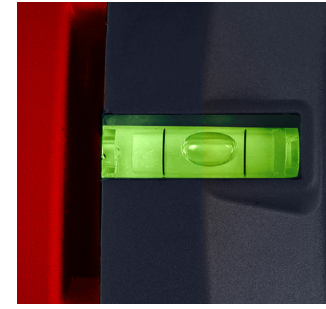
1 Dust Extractor Head
for use with banana slot type socket bits. External location keeps fine abrasive dust away from the gearbox.



2 Switchable Soft Percussion
keeps the diamond segments sharp for more efficient dry drilling. Can be turned off when not needed.



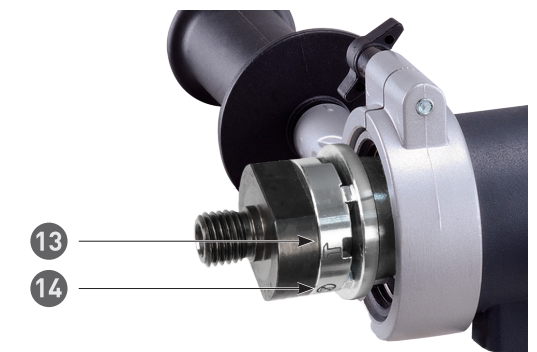
3 Side Handle
is inline with the spindle for best control.



4 Tubular Spirit Level
ensures accurate drilling angle.

Technical Specification

Model	DME52D
Power Input	1800 W
Voltage	110-120 V~ 50-60 Hz
	220-240 V~ 50-60 Hz
No Load (Rated Load) Speeds	Speed 1 : 1800 (1080) min ⁻¹
	Speed 2 : 3600 (2160) min ⁻¹
Percussion Frequency	Speed 1 : 29,000 b/min
	Speed 2 : 56,000 b/min
Arbor Thread	M16-2.0 or M18-2.5 male
Capacity-Dry	182 mm (7-1/4')
Dimensions (mm)	505 mm x 105 mm x 210 mm
Neck Diameter	60 mm
Net Weight	4.9 kg



- ① Side Handle
- ② Lock Screw (Side Handle)
- ③ Release Button
- ④ Tubular Spirit Level
- ⑤ Trigger Switch
- ⑥ Lock Button
- ⑦ Spindle
- ⑧ Percussion Selector
- ⑨ Gear Selector
- ⑩ Motor
- ⑪ Power Supply Cable
- ⑫ Main Handle
- ⑬ Hammer Symbol (Percussion On)
- ⑭ No Hammer Symbol (Percussion Off)

Offer Content

Standard Accessories

- ① DME52D Dry Diamond Core Drill Motor
- ② Soft-Grip Side Handle

Recommended Item

- ③ External Dust Extractor Head
- ④ Centering Pilots for bit lengths 85 mm or 65 mm
- ⑤ Vacuum Collector Pad (Small up to 75 mm, large up to 130 mm)



Comparison Table

Brand



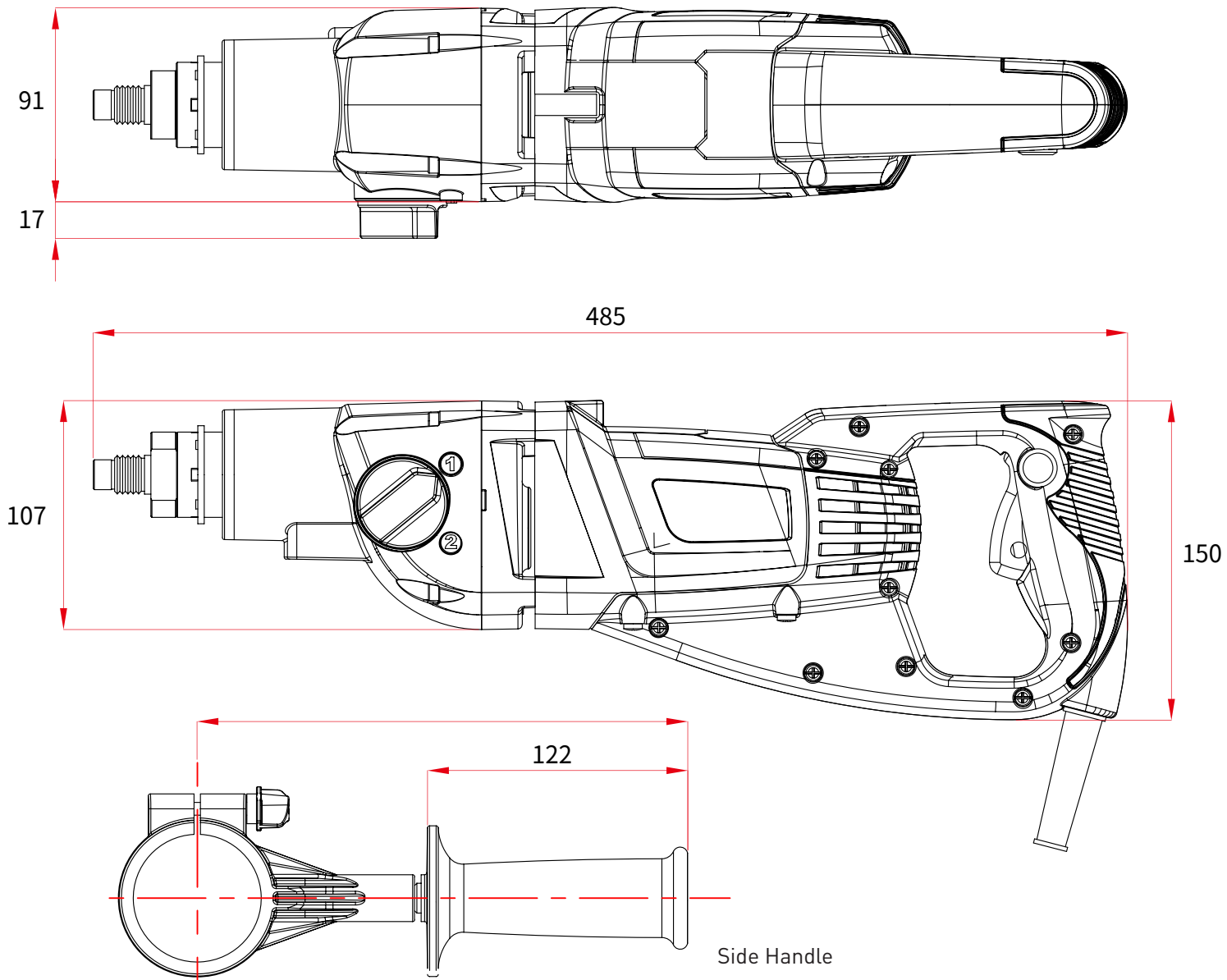
General Dry Drilling w/ External Dust Collector (for highly abrasive materials)



Model No.	DME-52D	DB1500-2XE	DD2-160XE	BDB 823 A	EHD 2000 S	P 2000 MS13
Power	220-240 V: 1800 W	220-240 V: 1510 W	220-240 V: 1510 W	220-240 V: 1800 W	220-240 V: 1700 W	220-240 V: 2000 W
Capacity-dry	182 mm	32 - 162 mm	32 - 162 mm	40 - 150 mm	32 - 132 mm	32 - 162 mm
Spindle	M18-2.5 or M16-2.0	M18-2.5	M18-2.5 (dust extractor is 1-1/4")	M18-2.5 (dust extractor is M16)	M18-2.5 (dust extractors are M16 or 1-1/4")	M18-2.5 (dust extractor is 1-1/4")
RPM (rated load)	Gear 1: 1080 /min Gear 2: 2160 /min	Gear 1: 0~890 /min Gear 2: 0~1770 /min	Gear 1: 0~890 /min Gear 2: 0~1770 /min	1650 /min	Gear 1: 0~1000 /min Gear 2: 0~2000 /min	1350 /min
Percussion Frequency	Gear 1: 29 000 bpm Gear 2: 56 000 bpm	Gear 1: 24 000 bpm Gear 2: 48 000 bpm	Gear 1: 24 000 bpm Gear 2: 48 000 bpm	33 000 bpm	N/A	34 000 bpm
Switchable Percussion	YES	YES	YES	YES	NO	YES
2 Speed Gearbox	YES	YES	YES	NO	YES	NO
Blowcase	YES	YES	YES	YES	YES	YES
Anti-Vibration Side Handle	Optional	YES	YES	NO	NO	NO
Built-in Level	YES	NO	NO	YES	NO	NO
LED Load Indicator	NO	NO	NO	YES	NO	NO
Variable Speed Switch	YES	YES	YES	NO	YES	NO
Weight	5 kg	4.2 kg	4.2 kg	5.2 kg	5.5 kg	4.8 kg
Dust Collector Description	Choice of M16 or M18 thread (for banana slot type bits only) No limitation on length.	Not Available	For 1-1/4" thread, unventilated bits only. No limitation on length.	For M16 thread, short socket bits with side vents only.	For M16 thread, short socket bits with banana slot vents only, 1-1/4" bits not limited on length.	For 1-1/4" thread, unventilated bits only. No M16 dust collector sold.
Dust Collector	Spring-loaded centering pilot	Masonry drill bit	Masonry drill bit	Spring-loaded centering pilot	Masonry drill bit	Masonry drill bit
Centering Aid	Optional	Not Available	Optional	Optional	Optional	Optional
Conclusion	The AGP brings together all the features for the ideal dry drill, with the power, percussion, ideal rpm, level, and centering aid to allow optimal drilling. The AGP external dust extractor is uniquely convenient with its access door for easy bit changes.					

Tool Dimensions (mm)

DME52D



Dust cover

