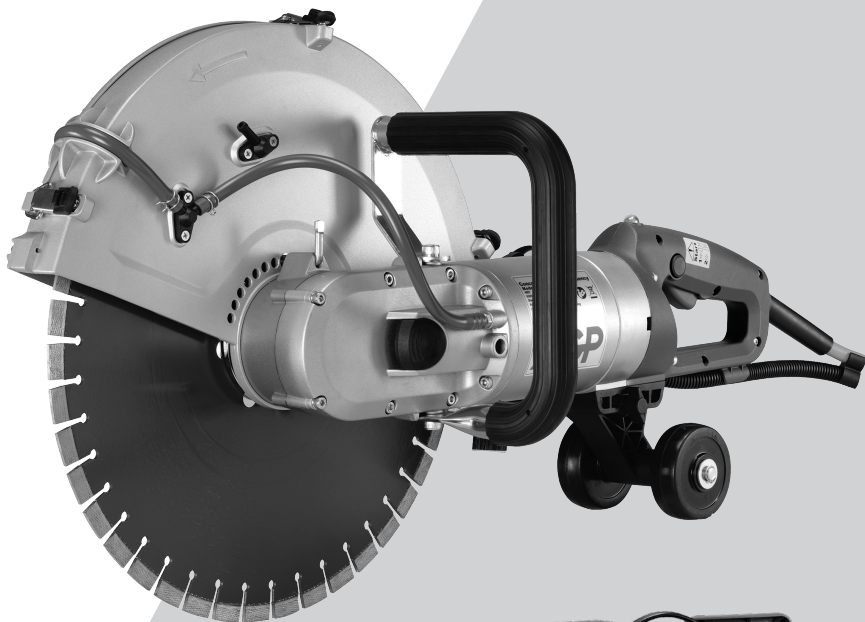


# AGP<sup>®</sup>

## High Frequency Brushless Concrete Saw & Converter

C406 & P8K



C406 High Frequency Concrete Saw



P8K Power Converter

## Instruction Manual

CE CB



<b>High Frequency Concrete Saw &amp; Power Converter (GB)</b>	
Safety instructins.....	2
<b>Hochfrequenz-Betonsäge &amp; Umrichter (DE)</b>	
Sicherheitshinweise .....	27
<b>Scie à béton haute fréquence &amp; Convertisseur de puissance (FR)</b>	
Instructions de sécurité.....	49
<b>Sierra de alta frecuencia para hormigón &amp; Convertidor de alimentación (ES)</b>	
Instrucciones de seguridad.....	70
<b>Troncatrice per calcestruzzo ad alta frequenza &amp; Convertitore di potenza (IT)</b>	
Indicazioni per la sicurezza.....	91
<b>Betonzag met hoge frequentie &amp; Spanningsomzetter (NL)</b>	
Veiligheidsvoorschriften.....	112

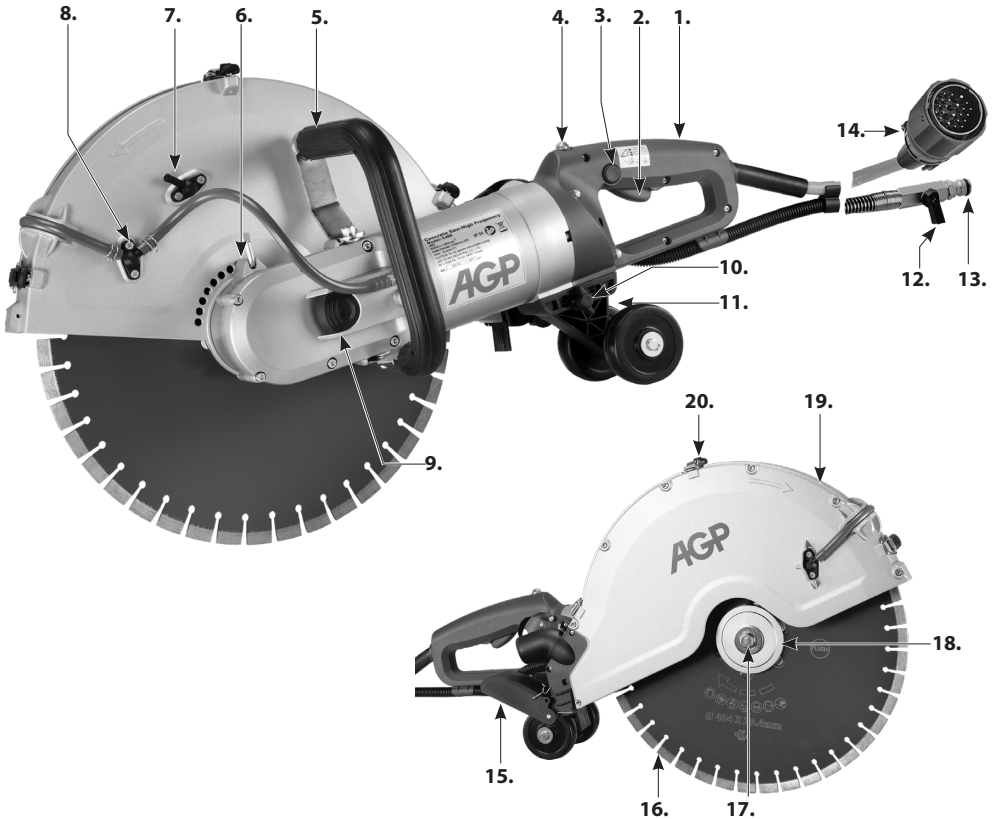
## **ORIGINAL INSTRUCTIONS**

**For Your Personal Safety, Read And Understand Before Using.  
Save These Instructions For Future Reference.**

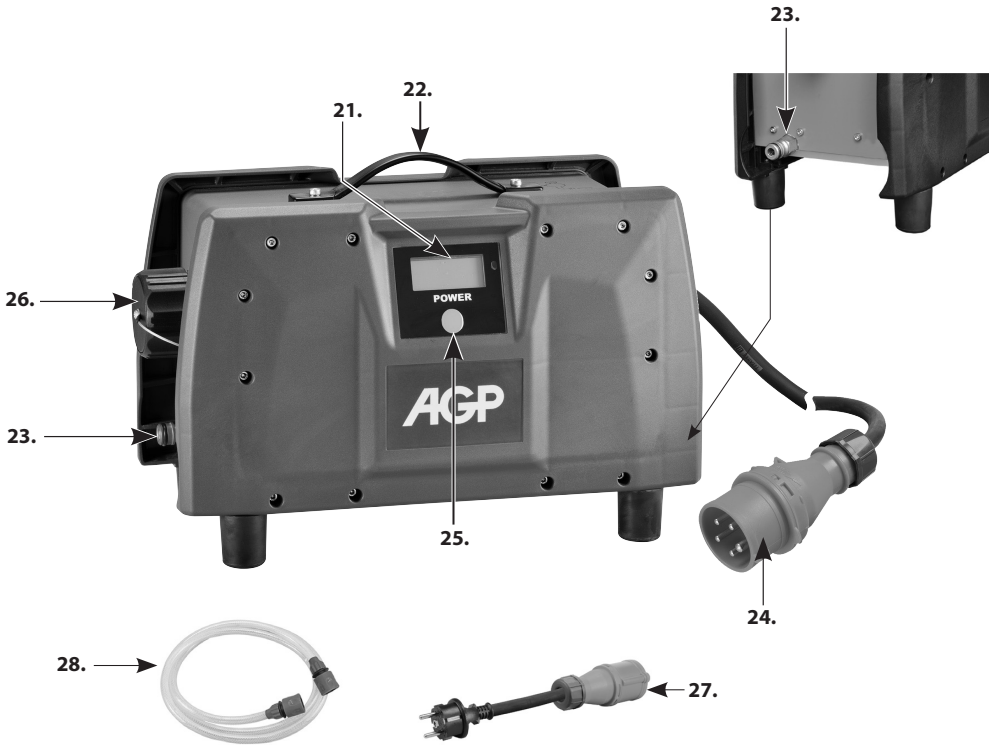
**SPECIFICATIONS**

High Frequency Concrete Saw		Power Converter
Power		Input (maximum)
1Ø~200-240 V	5500 W (32 A), 3600 W (16 A)	32 A
3Ø~220-240 V	5500 W	25 A
3Ø~380-480 V	6600 W	16 A
No Load Rpm	3900 / Min	—
Linear Speed w/16" Blade	82.9 m/s	—
Blade Diameter	406 mm (16")	—
Arbor	25.4 mm (1")	—
Min. Blade Core Thickness	1.7 mm (0.067")	—
Max. Blade Core Thickness	4.3 mm (0.169")	—
Max. Cutting Depth	150 mm (6")	—
Min. Water Flow (25°C)	—	3.5 L/min (1 gpm)
Max. Water Pressure	—	7 bar (100 psi)
Dimensions (L x W x H)	780 x 260 x 300 mm	460 x 220 x 260 mm
Weight	10.5 kg (23.1 lb)	7.1kg (15.6 Lbs)

**High Frequency Concrete Saw**



## Power Converter



- 1. Main Handle
- 2. Trigger Switch
- 3. Release Button
- 4. Load Warning Lamp
- 5. Side Handle
- 6. Blade Guard Locking Lever
- 7. Alternate Feed Nozzle
- 8. Water Feed Nozzle
- 9. Arbor Lock Button
- 10. Butterfly Bolt
- 11. Guide Roller Assembly
- 12. Water Feed Valve
- 13. Water Coupling
- 14. Motor Coupling Cable
- 15. Splash Guard
- 16. Diamond Blade
- 17. Arbor Bolt
- 18. Outer Flange
- 19. Blade Guard
- 20. Toggle Latches
- 21. LCD Display
- 22. Power Converter
- 23. Water Supply Inlet / Outlet
- 24. Power Supply Cable
- 25. Power Button
- 26. Motor Coupling Socket
- 27. Single Phase Adaptor Cable (optional)
- 28. Water Coupling Hose

# General Safety Rules



**WARNING! Read all safety warnings and all instructions.** Failure to follow the warnings and instructions may result in electric shock, fire and/or serious injury.

**Save all warnings and instructions for future reference.**

The term “power tool” in the warnings refers to your mains-operated (corded) power tool or battery-operated (cordless) power tool.

## 1. WORK AREA SAFETY

- a. **Keep work area clean and well lit.** Cluttered and dark areas invite accidents.
- b. **Do not operate power tools in explosive atmospheres, such as in the presence of flammable liquids, gases or dust.** Power tools create sparks which may ignite the dust or fumes.
- c. **Keep children and bystanders away while operating a power tool.** Distractions can cause you to lose control.
- d. **Never leave the electric power tool unattended.** Only leave the machine when the tool in use has come to a complete standstill.

## 2. ELECTRICAL SAFETY

- a. **Power tool plugs must match the outlet. Never modify the plug in any way. Do not use any adapter plugs with earthed (grounded) power tools.** Unmodified plugs and matching outlets will reduce risk of electric shock.
- b. **Avoid body contact with earthed or grounded surfaces, such as pipes, radiators, ranges and refrigerators.** There is an increased risk of electric shock if your body is earthed or grounded.
- c. **Do not expose power tools to rain or wet conditions.** Water entering a power tool will increase the risk of electric shock.
- d. **Do not abuse the cord. Never use the cord for carrying, pulling or unplugging the power tool. Keep cord away from heat, oil, sharp edges or moving parts.** Damaged or entangled cords increase the risk of electric shock.
- e. **When operating a power tool outdoors, use an extension cord suitable for outdoor use.** Use of a cord suitable for outdoor use reduces the risk of electric shock.
- f. **If operating a power tool in a damp location is unavoidable, use a residual current device (RCD) protected supply.** Use of an RCD reduces the risk of electric shock.

## 3. PERSONAL SAFETY

- a. **Stay alert, watch what you are doing and use common sense when operating a power tool. Do not use a power tool while you are tired or under the influence of drugs, alcohol or medication.** A moment of inattention while operating power tools may result in serious personal injury.
- b. **Use personal protective equipment. Always wear eye protection.** Protective equipment such as dust mask, non-skid safety shoes, hard hat, or hearing protection used for appropriate conditions will reduce personal injuries.

- c. **Prevent unintentional starting. Ensure the switch is in the off-position before connecting to power source and/or battery pack, picking up or carrying the tool.** Carrying power tools with your finger on the switch or energising power tools that have the switch on invites accidents.
- d. **Remove any adjusting key or wrench before turning the power tool on.** A wrench or a key left attached to a rotating part of the power tool may result in personal injury.
- e. **Do not overreach. Keep proper footing and balance at all times.** This enables better control of the power tool in unexpected situations.
- f. **Dress properly. Do not wear loose clothing or jewellery. Keep your hair and clothing away from moving parts.** Loose clothes, jewellery or long hair can be caught in moving parts.
- g. **If devices are provided for the connection of dust extraction and collection facilities, ensure these are connected and properly used.** Use of dust collection can reduce dust related hazards.
- h. **Do not let familiarity gained from frequent use of tools allow you to become complacent and ignore tool safety principles.** A careless action can cause severe injury within a fraction of a second.

#### 4. POWER TOOL USE AND CARE

- a. **Do not force the power tool. Use the correct power tool for your application.** The correct power tool will do the job better and safer at the rate for which it was designed.
- b. **Do not use the power tool if the switch does not turn it on and off.** Any power tool that cannot be controlled with the switch is dangerous and must be repaired.
- c. **Disconnect the plug from the power source and/or battery pack from the power tool before making any adjustments, changing accessories, or storing power tools.** Such preventive safety measures reduce the risk of starting the power tool accidentally.
- d. **Store idle power tools out of the reach of children and do not allow persons unfamiliar with the power tool or these instructions to operate the power tool.** Power tools are dangerous in the hands of untrained users.
- e. **Maintain power tools. Check for misalignment or binding of moving parts, breakage of parts and any other condition that may affect the power tool's operation. If damaged, have the power tool repaired before use.** Many accidents are caused by poorly maintained power tools.
- f. **Keep cutting tools sharp and clean.** Properly maintained cutting tools with sharp cutting edges are less likely to bind and are easier to control.
- g. **Use the power tool, accessories and tool bits etc. in accordance with these instructions taking into account the working conditions and the work to be performed.** Use of the power tool for operations different from those intended could result in a hazardous situation.
- h. **Keep handles dry, clean and free of oil and grease.** Slippery handles do not allow for safe handling and control of the tool in unexpected situations.

#### 5. SERVICE

- a. **Have your power tool serviced by a qualified repair person using only identical replacement parts.** This will ensure that the safety of the power tool is maintained.
- b. **Only use original parts for repair and maintenance.** The use of incompatible accessories or spare parts can result in electric shocks or other injuries.

## Symbols used in this manual

V.....volts

A.....amperes

Hz.....hertz

W.....watt

~.....alternating current

n .....rated speed

min<sup>-1</sup>.....revolutions or reciprocation  
per minute

1∅.....Single Phase Current

3∅.....Three Phase Current



.....with electrical earth



.....warning of general danger



.....read these instructions

—GB—



.....always wear eye protection



.....always wear a dust mask.



.....always wear hearing protection



.....wear safety-approved hard hat



.....DANGER! Keep hands away from cutting area and the blade.



do not dispose of electric tools, accessories and packaging together with household waste material



.....Always use with water cooling

## Cut-off machine safety warnings

- **The guard provided with the tool must be securely attached to the power tool and positioned for maximum safety, so the least amount of wheel is exposed towards the operator. Position yourself and bystanders away from the plane of the rotating wheel.** The guard helps to protect operator from broken wheel fragments and accidental contact with wheel.
- **Use only diamond cut-off wheels for your power tool.** Just because an accessory can be attached to your power tool, it does not assure safe operation.
- **The rated speed of the accessory must be at least equal to the maximum speed marked on the power tool.** Accessories running faster than their rated speed can break and fly apart.
- **Wheels must be used only for recommended applications. For example: do not grind with the side of cut-off wheel.** Abrasive cut-off wheels are intended for peripheral grinding, side forces applied to these wheels may cause them to shatter.
- **Always use undamaged wheel flanges that are of correct diameter for your selected wheel.** Proper wheel flanges support the wheel thus reducing the possibility of wheel breakage.
- **Do not use worn down reinforced wheels from larger power tools.** Wheels intended for larger power tools are not suitable for the higher speed of a smaller tool and may burst.
- **The outside diameter and the thickness of your accessory must be within the capacity rating of your power tool.** Incorrectly sized accessories cannot be adequately guarded or controlled.
- **The arbour size of wheels and flanges must properly fit the spindle of the power tool.** Wheels and flanges with arbour holes that do not match the mounting hardware of the power tool will run out of balance, vibrate excessively and may cause loss of control.
- **Do not use damaged wheels. Before each use, inspect the wheels for chips and cracks. If power tool or wheel is dropped, inspect for damage or install an undamaged wheel. After inspecting and installing the wheel, position yourself and bystanders away from the plane of the rotating wheel**

**and run the power tool at maximum no load speed for one minute.** Damaged wheels will normally break apart during this test time.

- **Wear personal protective equipment. Depending on application, use face shield, safety goggles or safety glasses. As appropriate, wear dust mask, hearing protectors, gloves and shop apron capable of stopping small abrasive or workpiece fragments.** The eye protection must be capable of stopping flying debris generated by various operations. The dust mask or respirator must be capable of filtering particles generated by your operation. Prolonged exposure to high intensity noise may cause hearing loss.
- **Keep bystanders a safe distance away from work area. Anyone entering the work area must wear personal protective equipment.** Fragments of workpiece or of a broken accessory may fly away and cause injury beyond immediate area of operation.
- **Hold the power tool by insulated gripping surfaces only, when performing an operation where the cutting accessory may contact hidden wiring or its own cord.** Cutting accessory contacting a “live” wire may make exposed metal parts of the power tool “live” and could give the operator an electric shock.
- **Position the cord clear of the spinning accessory.** If you lose control, the cord may be cut or snagged and your hand or arm may be pulled into the spinning wheel.
- **Never lay the power tool down until the accessory has come to a complete stop.** The spinning wheel may grab the surface and pull the power tool out of your control.
- **Do not run the power tool while carrying it at your side.** Accidental contact with the spinning accessory could snag your clothing, pulling the accessory into your body.
- **Regularly clean the power tool’s air vents.** The motor’s fan will draw the dust inside the housing and excessive accumulation of powdered metal may cause electrical hazards.
- **Do not operate the power tool near flammable materials.** Sparks could ignite these materials.

## Kickback and related warnings

- **Kickback is a sudden reaction to a pinched or snagged rotating wheel. Pinching or snagging causes rapid stalling of the rotating wheel which in turn causes the uncontrolled power tool to be forced in the direction opposite of the blade’s rotation at the point of the binding.** For example, a diamond blade is snagged or pinched by the workpiece, the edge of the blade that is entering into the pinch point can dig into the surface of the material causing the blade to climb out or kick out. The blade may either jump toward or away from the operator, depending on direction of the blade’s movement at the point of pinching. Diamond blades may also break under these conditions. Kickback is the result of power tool misuse and/or incorrect operating procedures or conditions and can be avoided by taking proper precautions as given below.
- **Maintain a firm grip on the power tool and position your body and arm to allow you to resist kickback forces. Always use auxiliary handle, if provided, for maximum control over kickback or torque reaction during start-up.** The operator can control torque reactions or kickback forces, if proper precautions are taken.
- **Never place your hand near the rotating accessory.** Accessory may kickback over your hand.
- **Do not position your body in line with the rotating wheel.** Kickback will propel the tool in direction opposite to the wheel’s movement at the point of snagging.
- **Use special care when working corners, sharp edges, etc. Avoid bouncing and snagging the accessory.** Corners, sharp edges or bouncing have a tendency to snag the rotating accessory and cause loss of control or kickback.

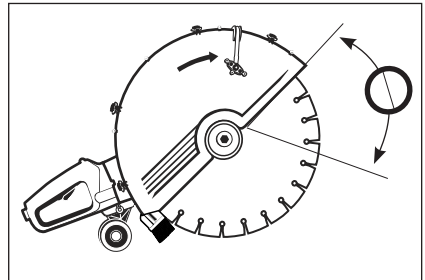


- **Do not attach a saw chain, woodcarving blade, segmented diamond wheel with a peripheral gap greater than 10 mm or toothed saw blade.** Such blades create frequent kickback and loss of control.
- **Do not “jam” the cut-off wheel or apply excessive pressure. Do not attempt to make an excessive depth of cut.** Overstressing the wheel increases the loading and susceptibility to twisting or binding the wheel in the cut and the possibility of kickback or wheel breakage.
- **When wheel is binding or when interrupting a cut for any reason, switch off the power tool and hold the power tool motionless until the wheel comes to a complete stop. Never attempt to remove the cut-off wheel from the cut while the wheel is in motion otherwise kickback may occur.** Investigate and take corrective action to eliminate the cause of wheel binding.
- **Do not restart the cutting operation in the workpiece. Let the wheel reach full speed and carefully re-enter the cut.** The wheel may bind, walk up or kickback if the power tool is restarted in the workpiece.
- **Support panels or any oversized workpiece to minimize the risk of wheel pinching and kickback.** Large workpieces tend to sag under their own weight. Supports must be placed under the workpiece near the line of cut and near the edge of the workpiece on both sides of the wheel.
- **Use extra caution when making a “pocket cut” into existing walls or other blind areas.** The protruding wheel may cut gas or water pipes, electrical wiring or objects that can cause kickback.

## Cut-Off Machine Safety Warnings - Additional Safety Rules

**WARNING: Avoid cutting in the upper quadrant of the blade, especially when beginning the cut. This area is highly likely to lead to kickback.**

**WARNING: When cutting plastics, do not allow the plastic to melt. If the plastic melts, it can stick to the blade, leading to kickback.**



## ELECTRICAL CONNECTION

The network voltage must conform to the voltage indicated on the tool name plate. Under no circumstances should the tool be used when the power supply cable is damaged. A damaged cable must be replaced immediately by an authorized Customer Service Center. Do not try to repair the damaged cable yourself. The use of damaged power cables can lead to an electric shock.

**WARNING: This tool must always be grounded (earthed). If the outlet (receptacle) does not have a ground (earth) connection, the power supply plug must be grounded separately. Operating without a ground will increase the risk of electric shock, serious personal injury, and/or death.**

**WARNING: Never operate a damaged machine. Always tag a damaged machine and take it out of service until repairs can be made.**

The connection between the power converter and the motor is by a special motor coupling cable. To connect, unscrew the cap, align the tangs, push in, and screw on the collar. Take care to avoid bending the pins. Keep the cap on when not in use. Do not alter this plug in any way.

### 3 Phase Power:

Ideally, the power converter should be supplied with 380V to 480V three phase power for maximum performance. If the plug does not match the available outlet, a suitable plug can be mounted by a qualified electrician.

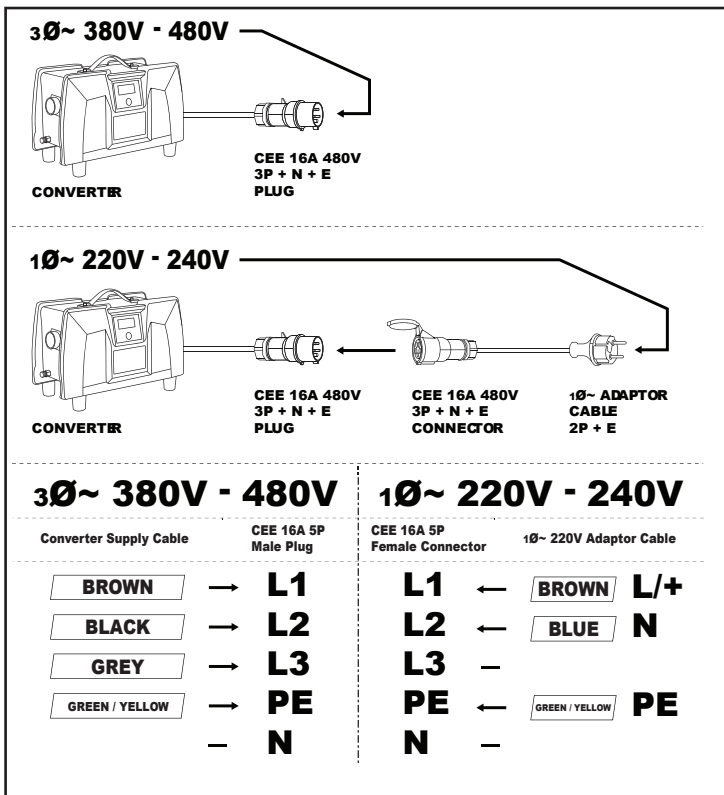
### Single Phase Power:

In situations where 3 phase power is not available, this machine may also be run on 220V to 240V single phase power with slightly reduced power. Use the single phase adaptor cable. Using the single phase adaptor cable, the current is limited to 16A.

If more power is needed, and a 32A or larger breaker is available, the main plug may be removed, and the converter's main power supply cable may be directly wired to the breaker. In this case, connect the L1 and L2 wires to the breaker, leaving the L3 wire unconnected. Then connect the earth (ground) wire to the earth connection.

**NOTE: The above action may only be performed by a qualified electrician.**

### POWER SUPPLY CONNECTIONS: THREE PHASE AND SINGLE PHASE



## INTRODUCTION

This machine is a special, high frequency PMSM (permanent magnet synchronous motor) power tool which must be used in conjunction with its high frequency power converter for its power supply. This converter takes 220 to 480V, 50Hz or 60Hz, single or three phase supply and converts it to high frequency for use with the motor. Connection between the converter and motor is made by a motor coupling cable with special plug. The converter has a three phase power supply plug and a single phase adaptor plug for use with single phase supply. Maximum performance is obtained using 380V to 480V, three phase power supply. Performance will be reduced when using 220V to 240V three phase or single phase supply due to electrical current limitations.

This machine is equipped with two handles and a blade guard. It has an integrated water feed system as required for cooling and diamond cutting. The power converter has a built-in residual current device (RCD) for electrical safety as well as overload, thermal, under voltage and over voltage protection. It must only be used with a diamond blade. It is intended for cutting masonry, stone, concrete, reinforced concrete and similar materials. All other uses are prohibited.

## LIST OF CONTENTS

- Concrete Saw
- Power Converter
- Water Coupling Hose
- Single Phase Adaptor Cable
- Guide Roller Assembly
- M17 Combination Wrench
- Splash Guard
- Flush Cutting Kit

## ASSEMBLY

- Mount the blade. ( See below "Mounting the Blade")
- Mount the Guide Roller Assembly if desired ( See below "Guide Roller Assembly")
- Mount the splash guard (See below "Splash Guard" for assembly instructions)

## DIAMOND BLADES

### ALLOWED TYPES OF BLADES

This machine may only use diamond blades

- Only use either segmented or continuous rim diamond blades.
- If the diamond blades are segmented, the maximum allowable peripheral gap between segments is 10mm and must be with a negative rake angle.
- Only diamond blades of 406 mm (16") or less may be used.
- Blade thickness must be at least 2.4mm (0.095") and no greater than 6.35mm (0.250").
- Blade core thickness must be at least 1.7 mm (0.067"), and no greater than 4.3 mm (0.169")

## BLADE STORAGE AND TRANSPORT

Do not store or transport the machine with the blade mounted. Remove the blade and store in such a way that it is protected from being bent or damaged when the machine is not in use-this will help prevent damage to the blade.

A damaged blade can cause irregular conditions, this can cause imbalance and result in a hazard. Always inspect new blades for storage or transport damage.

## ABOUT DIAMOND BLADES

Diamond blades consist of a steel core with diamond segments added to its periphery.

Diamond blades are available for different hardnesses of masonry materials, stone, concrete, reinforced concrete, etc.

Some diamond blades are designed to be used wet only, while others are designed to be allowed to be used dry. This machine must always be used with water, since it requires water for converter and motor cooling. Generally speaking, even if the blade is specified as a dry type blade, diamond tools always work better when wet, Water will prevent the blade from overheating, greatly reduce the amount of harmful dust created by cutting, remove the slurry from the cut, and extend the life of the blade.

The diamond impregnated segments operate on a principle of controlled erosion. The bond matrix holding the diamonds is continually worn away by abrasion with the workpiece, exposing the harder diamonds to stand proud from the bond matrix. Blades made for cutting harder materials will have a softer bond, allowing the diamonds project more aggressively (but will not last as long). Blades made for cutting softer, abrasive materials will have a harder bond, allowing them to resist the abrasiveness of the material and to last longer. Without enough erosion of the bond matrix (the diamonds not exposed) and the blade becomes dull . This is called glazing . If the blade seems to refuse to cut anymore, it is glazed.

See below: **“Sharpening a Glazed Blade”**

Never use a sharp motion or the blade will be damaged. Conversely, don't feed too gently or the diamond segments will become glazed. Keep the blade steadily working.

Take great care to keep the blade perpendicularly aligned to the kerf. If the blade is crooked, it will easily bind. When cutting reinforced concrete, if embedded steel is encountered, take special care. Reduce the feed pressure by about 1/3 and let the blade go at its own pace, if there is too much vibration the blade may be destroyed. Once the steel is passed, continue normally.

**NOTE: Never use a wet-type diamond blade without water. It will overheat and be destroyed.**

Always mount the blade with the arrow matching the direction of rotation of the machine (A direction arrow is marked on the blade guard).

**WARNING: Never use blades for cutting a material other than the material they were intended for.**

## SHARPENING A GLAZED BLADE

Diamond blades may become glazed (dull). Once the diamond segments are glazed, the blade's cutting performance will degrade and the segments will overheat. To sharpen the blade, turn down the water feed and make a few cuts in a very soft, abrasive material such as brick or an alumina oxide or silicon carbide dressing stone.

## MOUNTING THE BLADE

First make sure that the machine is unplugged.

Then, using the 17mm combination wrench, engage the arbor bolt and turn the arbor while pressing on the arbor lock. When the arbor reaches the right position, the arbor lock will be allowed to engage. Then the arbor bolt may be loosened and the plain outer flange may be removed.

The inner flange of this machine is 1" (25.4mm). Check the inner flange to ensure that the size matches the bore of the blade.

Inspect the blade before use. It must not be cracked, warped or damaged in any way that would cause a hazard in operation. Loose diamond segments can be ejected at high speed, causing possible injury. Always check that the diamond segments are not under cut. If the diamond segments are thinner or nearly thinner than the blade core, the kerf will be too tight fitting and could easily lead to kickback.

Ensure that the flanges and blade bore are clean and undamaged and that everything fits properly. The flanges may not be used if they are warped, the surface is uneven, burred or if they are dirty. The arbor bolt and arbor threads must be undamaged. Inspect the blades for segment damage, arbor hole damage or any other damage which could cause hazardous operation.

The protruding edge of the inner flange should be facing the blade. Then mount the blade to the inner flange and add the outer flange. Add the arbor bolt and tighten to 15-25 Nm.

**WARNING: Do not attempt to mount a blade which does not match the mounting hardware. It will lead to eccentric running and vibration which will be uncontrollable.**

## ADJUSTING THE BLADE GUARD

The blade rotates clockwise when viewed from the arbor end. Therefore, most of the cutting debris, sparks and slurry is thrown to the rear. So the blade guard should be adjusted so that the rear edge is flush with the workpiece.

### TO ADJUST

First pull out the locking lever against the spring tension, then rotate the blade guard to the desired position. Allow the locking lever to engage the nearest slot in the guard to lock it into position.



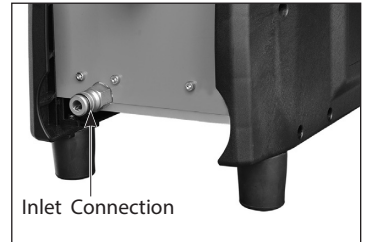
## SPLASH GUARD

The splash guard is useful to help to contain slurry which splashes toward the back. To install, simply clip into place on the back of the blade guard. To remove, tilt upward to pop free.

## WATER CONNECTION

Water is a basic requirement for this tool and is essential for cooling of the motor and converter. The water also serves as a coolant to avoid the working surface of the diamond segments from overheating. Water also keeps down dust and flushes away abrasive particles.

The converter has 2 water connections. Connect the water supply to either connection on the converter first and then connect the other connection to the motor using the water coupling hose.



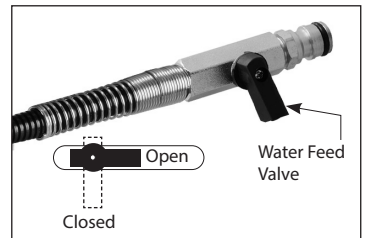
**CAUTION: NEVER OPERATE THIS TOOL WITHOUT WATER FLOW THROUGH BOTH THE CONVERTER AND THE MOTOR.**

**CAUTION: WHEN OPERATING IN FREEZING WEATHER CONDITIONS, ALWAYS ENSURE THAT THE WATER IS DRAINED COMPLETELY FROM THE MOTOR AND CONVERTER AFTER USE, Water freezing inside the machine will lead to severe damage!**

It is designed to be water cooled and would quickly overheat without water.

**WARNING: Check all connections of the water feed system to ensure there are no leaks. Inspect hoses and other critical parts which could deteriorate.**

**WARNING: The maximum water pressure should not exceed 70 psi (4 bar).**



Use a water collector with a wet vacuum to collect cooling water if nearby objects could be damaged by water. The water feed system is built into the machine. To connect with the water supply, first pull the quick-release collar to remove the female side of the water coupling. Then unscrew the nut and engage the coupling to the water hose. Now reconnect the water coupling to the male water feed valve. Press it until it clicks. The water flow is controlled by the water feed valve. The water to the blade may be finely adjusted to the required amount.

**NOTE: Contaminants in the water supply can easily plug up the motor, converter, or the fine water nozzles in the blade guard. Ensure that the supply water is clean. If you find that there is no water flow to the blade, then clean out the water feed system on the machine with compressed air.**

## DRY SAWING

If dry sawing is required, cooling water must still flow through the convertor and motor.

Pull off the original water hose from the motor water outlet hose barb, and **attach a long hose (not supplied)** to this hose barb. This long hose may then redirect the flow of cooling water away from the cutting area into a drain or collection bucket, etc.

## GUIDE ROLLER ASSEMBLY

The guide rollers make it easier to keep the blade plane perpendicular to the workpiece. To install, slacken the butterfly bolt slightly and engage the four claws with the four eyelets on the bottom of the motor housing, then tighten the butterfly bolt.

## FLUSH CUTTING KIT INSTRUCTIONS

The flush cutting kit enables a flush cut blade (not included) to be mounted to the machine which allows flush cuts to be made while the outer blade guard is temporarily removed.

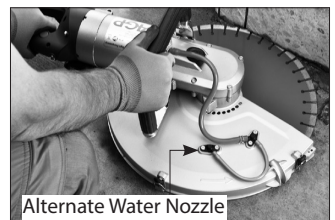
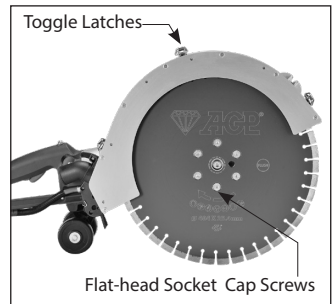
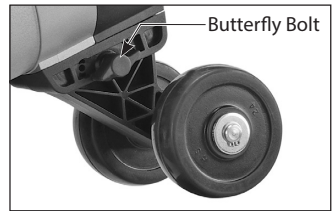
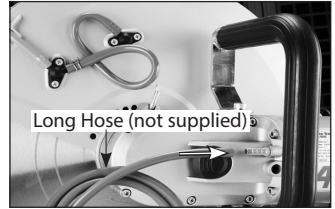
## FLUSH CUTTING KIT LIST OF CONTENTS

1. Flush Cutting Flange
2. Socket Cap Arbor Bolt & Washer
3. Flat-Head Socket Cap Screws x 6
4. M5 L-Hex Wrench
5. M8 L-Hex Wrench
6. Flush Cut Cover & Flat-Head Screws x 7

## FLUSH CUTTING KIT ASSEMBLY

To mount the flush cutting kit, first remove the standard arbor bolt, flanges and blade .

1. Remove the the water hose from water nozzle on the outer blade guard and connect it to the alternate water nozzle on the inner blade guard.
2. Pop off the splash guard and remove the 7 screws securing the outer blade guard .
3. Unclip the 3 toggle latches and pop the loose hasps in the plastic clips to prevent rattling.
4. Lift away the outer blade guard and keep in a safe place.
5. Mount the flush cutting flange on the spindle and secure with the



washer and socket cap arbor bolt. Engage the arbor lock tighten the arbor bolt securely using the M8 L-hex wrench.

**WARNING: Do not use any spacers or flanges under the Flush Cutting Flange!**

6. Mount the flush cut blade on the flange, align the holes and thread in the flat-head socket cap screws. Using the M5 L-hex wrench, tighten the screws evenly and diagonally.
7. Mount the Flush Cut Cover and fasten the 7 flat-head screws.

**WARNING: Do not operate without the Flush Cut Cover mounted.**

8. Once the flush cutting operation is completed, immediately return the saw to its standard cutting configuration.

**NOTE: There is roughly a 1 mm or less effective offset (depending on how thick the diamond segments are).**

But since the blade guard has some degree of flexibility, pushing down slightly brings it all the way to fully flush. In actual cutting, it comes out as 100% flush. There has to be a small degree of offset so the blade won't make swirl marks in the base material in cases where that matters. So to avoid the swirl marks, don't use any downforce, and to get 100% flush, use some downforce.

**WARNING: Always operate with the outer blade guard in place while performing standard cutting. Never operate the saw with the outer blade guard removed except for flush cutting operations.**

**WARNING: Check the tightness of the mounting screws and arbor screw periodically.**

**WARNING: If any unusual vibration is felt in operation, stop immediately and find the cause before continuing.**

## OVERLOAD PROTECTION, OVERHEAT PROTECTION

### Overload & Load Warning Lamp

Whenever the motor is energized, and when it is operating comfortably within its load range, the load warning lamp will be lit green.

When the motor is operating near its full load range, the load warning lamp will flash red. If full load is exceeded and sustained for too long, the motor will shut down and the load warning lamp will glow solid red. In this case, the motor must be first shut off and then restarted.

**NOTE: If the motor does not start when the switch is pressed:**

**A:** If the lamp flashes green, this indicates a problem with the switch.

**B:** If the lamp glows solid green, this indicates a problem with the motor.



**NOTE: When using single phase 16A power, the operator must be very careful not to use too much force. One must make note of the load warning lamp and try to keep within the the green range. Too much load will draw too much current and easily trip the supply circuit breaker.**



## Overheat Thermal Protection

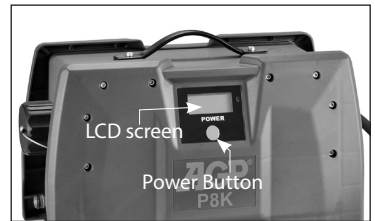
If the temperature of the motor gets too high, the thermal protection will shut the motor down. The switch must be first shut off and then restarted. When this happens, do not immediately start cutting. Always allow cooling water to flow through the motor for a few minutes to return to a normal operating temperature before continuing.

## SET UP

- Connect the water supply from the converter to the motor using the water coupling hose
- Connect the converter to the water supply
- Check for water leaks
- Connect the motor coupling cable to the converter
- Connect the converter to the power supply

## OPERATION

- When the power converter power supply cable is plugged in, the supplied voltage will be displayed on the LCD screen
- Press the **POWER** button on the power converter to energize the motor. "ON" will be displayed on the LCD screen and the Load Warning Lamp on the motor will be lit green. This indicates that the motor is now live and may be operated by its trigger switch.

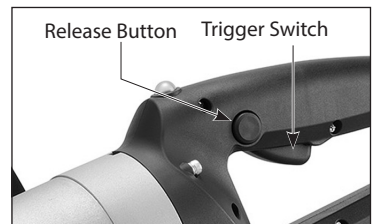


## THE SWITCH

To start the machine, first press the Release Button, then press the Trigger Switch.

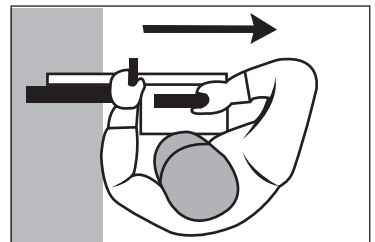
To stop the machine, release the Trigger Switch, then press the Power Button on the power converter to de-energize the machine.

**CAUTION: Keep strong magnetic fields away from the switch and the area at the rear of the motor, strong magnetic fields could damage these parts of the tool.**



## HOW TO HOLD THE MACHINE

- Always hold the machine with both hands, with the right hand on the main handle and with the left hand on the side handle. (This applies even if the operator is left-handed)
- Do not stand directly in line with the blade. Rather, stand in such a way that, if it kicks back, you will not be in the path of



the blade.

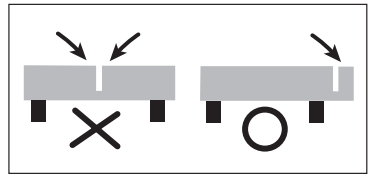
- Never lean over the blade path. That would put your body in line with the blade if it kicks back.
- Do not cut above shoulder height.
- Never cut while standing on a ladder or other unstable platform.

## BEFORE CUTTING

- Check the area where the cut is to be made to ensure that it is clear of objects which could cause the operator to stumble.
- Before cutting, it is sometimes useful to mark the line of cut with chalk or the like. For straight cutting, a wood plank is also useful in guiding the machine to make a straight cut.
- Ensure that all bystanders are at a safe distance.
- Ensure that all safety equipment is in place.

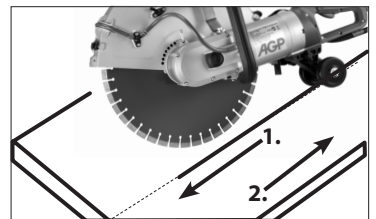
## PROPER SUPPORT FOR THE WORKPIECE

- Support the workpiece on in such a way that the kerf will not pinch down on the blade.
- Secure the workpiece so that it will not roll, slip away or move due to vibration while cutting
- The cutting sequence is important when making cutouts. Always make the last cut in a way that avoids the blade being pinched. Thus, make the bottom horizontal cut first, then the sides and finally make the top horizontal cut last.
- Make note of the weight of the workpiece and the direction which it will fall when it is cut through.
- Whenever there is a situation where severing the workpiece will cause a hazardous situation, leave a tab of material intact and finish off the operation with a chisel or the like.



## CUTTING TECHNIQUE

- Holding the machine with both hands to resist the start up torque, press the release button and then squeeze the trigger switch.
- Allow the machine to reach full speed before contacting the workpiece.
- Adjust the water flow as needed by turning the water feed valve.
- Then gently begin the cut with the rear portion of the blade until the kerf is established. Make the first cut in the forward direction (so that you can see the line of cut). Then make following cuts in the backward direction.
- Do not try to cut too much depth in one pass. Never exceed about 50mm (2") per pass.
- It's a good idea to first cut a shallow guiding groove before proceeding to make the main cut. If any



correction is needed. Lift the blade and cut slightly ahead and then back into the existing kerf. Take care to avoid the blade being pinched.

- In round workpieces, the best technique is to use a slow, uniform back and forth motion while cutting with the bottom quadrant of the blade.
- Do not allow the machine to bog down. Limit your feed pressure to keep the blade spinning at high speed.
- Never side load the blade in the kerf.

## STOPPING

Release the trigger to stop the machine. After the trigger is released, the blade will continue spinning for a short time. Once the machine is fully stopped, press the Power button on the power converter to de-energize the motor.

**WARNING: Do not set the machine down until the blade has stopped turning.**

## MAINTENANCE AND CLEANING

This machine operates in a very harsh environment.

Therefore, it's essential for the long life of the tool that it be thoroughly cleaned after each use.

## DAILY MAINTENANCE

1. Keep the machine clean
2. Check to ensure that the motor coupling cable, power supply cables and water coupling hoses are in good condition.
3. Ensure all screws are tight.
4. Check the condition of all safety equipment such as the blade guard
5. Check the blade for damage.

If the replacement of the power supply cord is necessary, this has to be done by the manufacturer or their agent in order to avoid a safety hazard.

**WARNING: All repairs must be entrusted to an authorized service center. Incorrectly performed repairs could lead to injury or death.**

Do not throw electric power tools into the household waste!

In accordance with the European Directive 2002/96/EG on Waste Electrical and Electronic Equipment and transposition into national law, used electric power tools must be collected separately and recycled in an environmentally friendly manner.

## POWER CONVERTER LCD SCREEN CODES

**OFF:** When the converter is plugged in, the screen will display the supply voltage. The voltage displayed will depend on the voltage of the supply

**ON:** When the converter power button is pressed, the screen will display “ON” The connected tool is now live

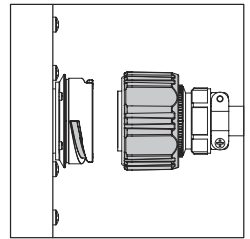
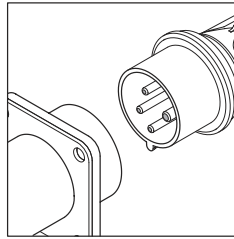
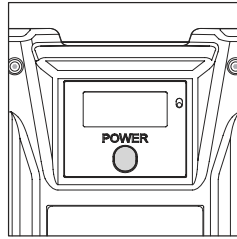
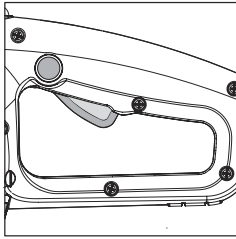
### CORRECTIVE ACTION KEY

**A:**  
Restart Tool by turning the switch OFF, then ON again

**B:**  
Restart Converter by pressing the power button OFF, then ON again

**C:**  
Unplug and Replug the Converter power supply cable

**D:**  
Unplug and Replug the Coupling Cable (between converter & tool)



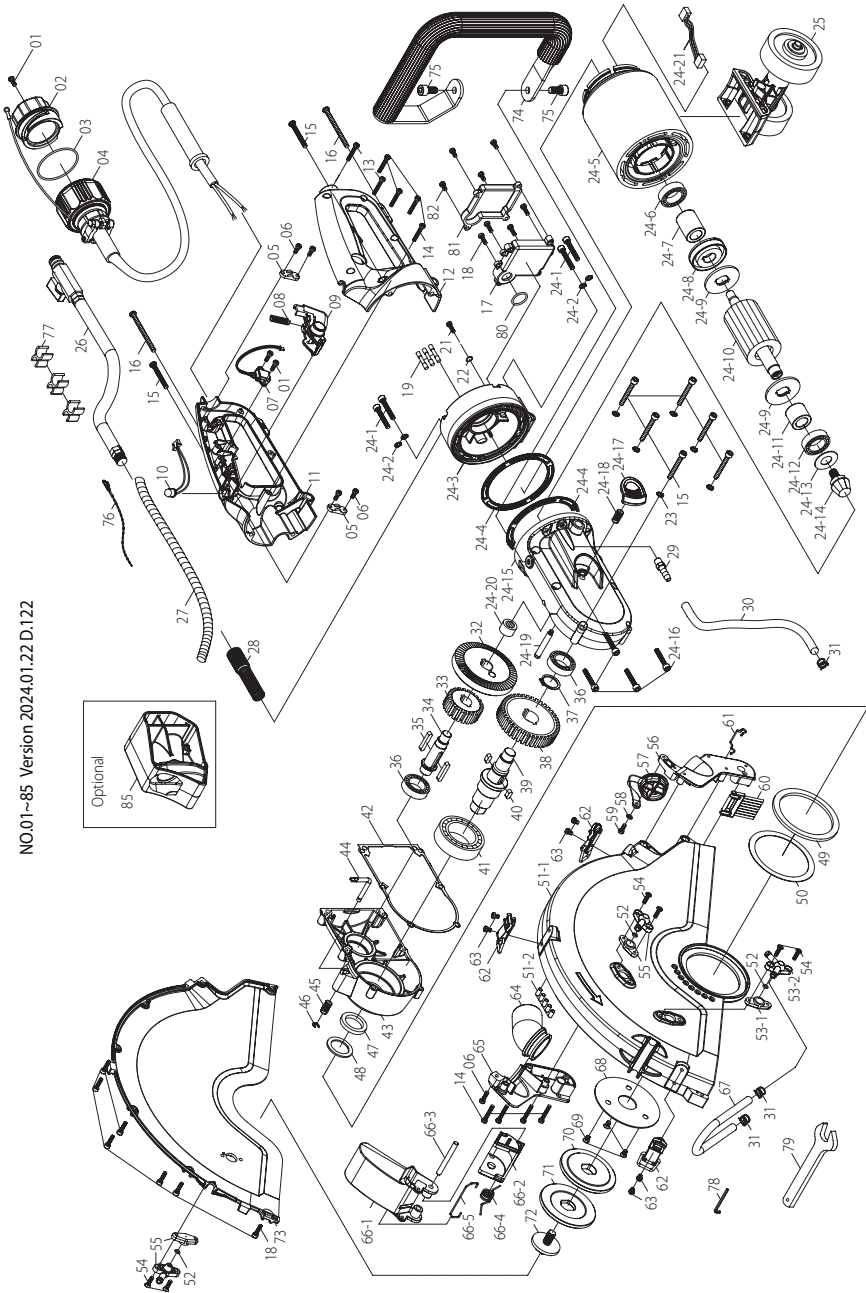
### ERROR CODES

Error Code	Description	Corrective Action	Further Explanation
<b>8888</b>	Loss of communication between the motor electronics board, the converter electronics board and the LCD module when powering up	<b>D</b>	Check the connection of the coupling cable
<b>E1</b>	Overload of the converter.	<b>A</b>	At the tool, turn the switch OFF and then ON again
<b>E2</b>	Overheat of the converter	<b>A</b>	Ensure that water is flowing. As soon as temperature returns to normal, at the tool, turn the switch OFF and then ON again
<b>E3</b>	Under voltage	<b>A</b>	As soon as supply voltage returns to normal, at the tool, turn the switch OFF and then ON again
<b>E4</b>	Over voltage	<b>A</b>	As soon as supply voltage returns to normal, at the tool, turn the switch OFF and then ON
<b>E5</b>	Excessive back voltage from the motor brake to the converter	<b>B</b>	At the converter, press the POWER button to turn the power OFF and then back ON again (If the problem persists, bring the unit to an authorized service center for repair)

<b>E6</b>	RCD current leak detection between the converter and the voltage supply	<b>C</b>	Check connections and then, unplug and replug the power supply cable, then restart the converter. (If the problem persists, bring the unit to an authorized service center for repair)
<b>E7</b>	Hall effect sensor error	<b>B</b>	At the converter, press the POWER button to turn the power OFF and then back ON again (If the problem persists, bring the unit to an authorized service center for repair)
<b>E8</b>	Motor overheat	<b>A</b>	Ensure that water is flowing and wait 20 seconds. Then, at the tool, turn the switch OFF and then ON again (If the temperature has still not dropped sufficiently after 20 seconds, wait longer for the temperature to drop to the acceptable range)
<b>E91</b>	Loss of communication between the converter electronics board and LCD module during operation	<b>B</b>	At the converter, try pressing the POWER button to turn the power OFF and then back ON again. (If the problem persists, bring the unit to an authorized service center for repair)
<b>E92</b>	Loss of communication between the motor electronics board and the LCD module during operation	<b>B</b>	Check the connection of the coupling cable. Then, at the tool, try turning the switch OFF and then ON again (If the problem persists, bring the unit to an authorized service center for repair)
<b>E10</b>	Poor connections of power supply cable -single phase	<b>C</b>	Check the connections of the power supply plug and cable
<b>E11</b>	Voltage leak between the converter and the tool	<b>C</b>	Check connections and then, at the converter, press the POWER button to turn the power OFF and then back ON again (If the problem persists, bring the unit to an authorized service center for repair)
<b>E12</b>	Poor connections of power supply cable -three phase	<b>C</b>	Check the connections of the power supply plug and cable
<b>E15</b>	Internal problem in the converter electronics board circuit	<b>C</b>	At the converter, try pressing the POWER button to turn the power OFF and then back ON again (If the problem persists, bring the unit to an authorized service center for repair)
<b>E16</b>	No signal from the motor temperature sensor	<b>A</b>	At the tool, try turning the switch OFF and then ON again (If the problem persists, bring the unit to an authorized service center for repair)
<b>E17</b>	Motor temperature sensor short circuited	<b>A</b>	At the tool, try turning the switch OFF and then ON again (If the problem persists, bring the unit to an authorized service center for repair)

# EXPLODED VIEW

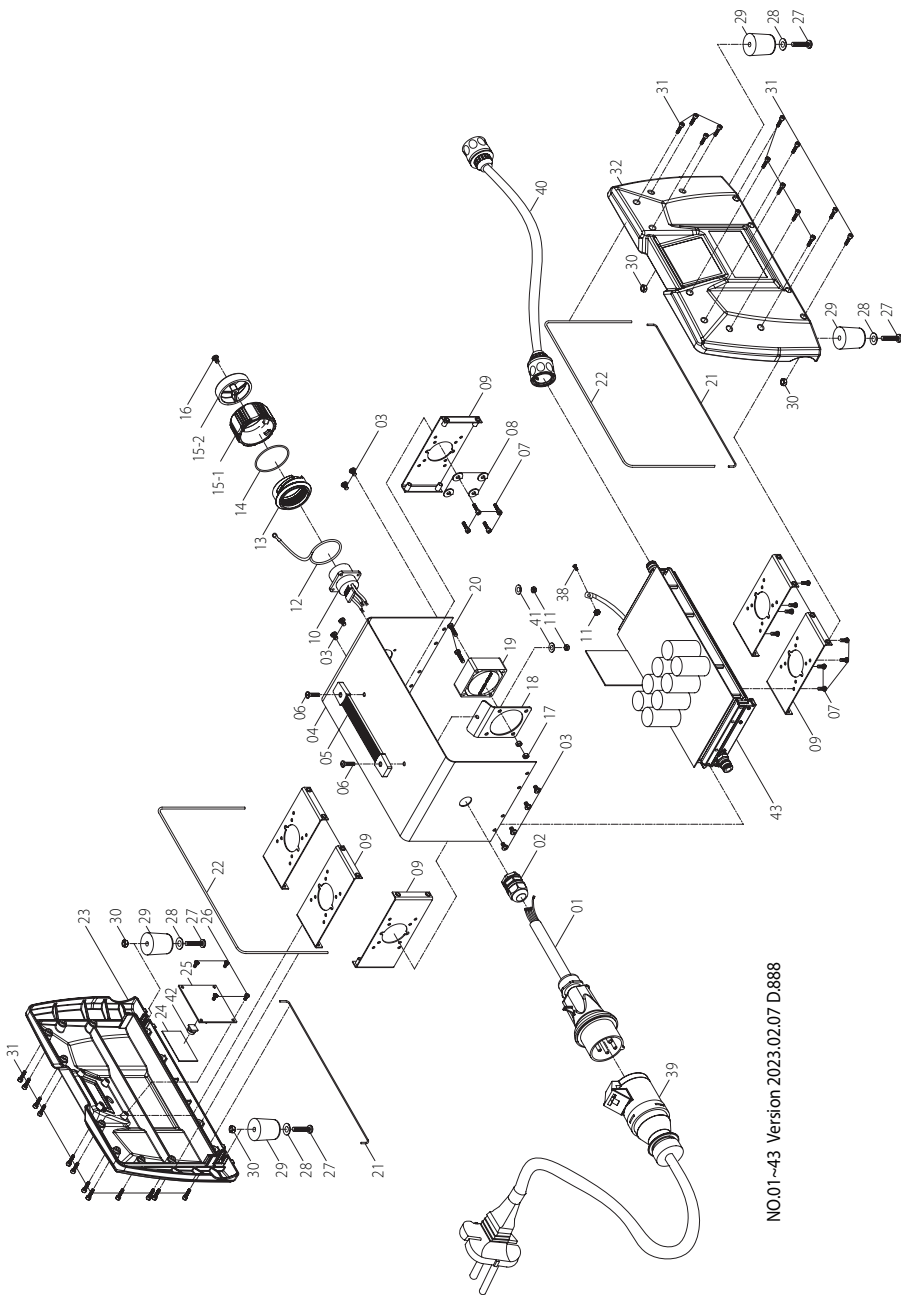
NO.01~85 Version 2024.01.22 D.122



## PARTS LIST

NO.	Parts Name	Q'ty	NO.	Parts Name	Q'ty
1	PANHEAD TAPPING SCREW (M4x12)	3	34	INTERMEDIATE SHAFT	1
2	PLUG CAP	1	35	PARALLEL KEY (5x5x30)	2
3	O-RING (AS-137)	1	36	BALL BEARING (6202)	2
4	MOTOR COUPLING CABLE SET	1	37	EXTERNAL CIRCLIP (S-22)	1
5	CORD CLIP	2	38	OUTPUT GEAR (M2.0x32T)	1
6	PANHEAD TAPPING SCREW (M4x14)	5	39	SPINDLE	1
7	HALL EFFECT SWITCH	1	40	PARALLEL KEY (5x5x12)	2
8	SPRING (Ø0.8 x Ø6.4 x Ø8 x 9T x 26L)	1	41	BALL BEARING (6206)	1
9	SWITCH ACTUATOR (LOCK-OFF)	1	42	GASKET	1
10	LED INDICATOR LIGHT	1	43	GEAR PLATE	1
11	HANDLE HALF-RIGHT	1	44	L-CLEVIS PIN	1
12	HANDLE HALF-LEFT	1	45	SPRING (Ø0.9xØ7.4xØ9.2x5Tx16L)	1
13	PANHEAD TAPPING SCREW (M4x20)	2	46	E-CLIP (E-5)	1
14	PANHEAD TAPPING SCREW (M4x25)	8	47	OIL SEAL (Ø25xØ35x5)	1
15	SOCKET CAP SCREW (M5x40xP0.8)	8	48	FELT OILER	1
16	SOCKET CAP SCREW (M5x65xP0.8)	2	49	RUBBER FENDER (Ø75xØ91x4)	1
17	ELECTRONICS UNIT	1	50	PLASTIC RING (Ø74xØ91.5x0.25)	1
18	SOCKET CAP SCREW (M4x12xP0.7)	11	51	UPPER BLADE COVER	1
19	HEAT SHRINK BUTT CONNECTOR	3	52	O-RING (Ø4x1.5)	3
21	SOCKET CAP SCREW (M4x8xP0.7)	1	53	WATER NOZZLE ASSY-L	1
22	EXTERNAL STAR WASHER (M4)	1	54	FLAT HEAD TAPPING SCREW (M4x14)	6
23	SPRING WASHER (M5)	6	55	WATER NOZZLE ASSY-R	2
24	MOTOR UNIT FOR C18	1	56	DUST PORT BRACKET-LEFT (	1
24-1	SOCKET CAP SCREW (M5x45xP0.8)	4	57	DUST PORT PLUG	1
24-2	SPRING WASHER (M5)	4	58	FLAT WASHER (Ø4xØ10x1)	1
24-3	MOTOR TAIL COVER	1	59	PANHEAD TAPPING SCREW (M4x10)	1
24-4	WATER SEAL	2	60	BLADE GUARD BRUSH	1
24-5	MORTOR	1	61	CLIP-FEMALE	1
24-6	BALL BEARING	1	62	TOGGLE LATCH	3
24-7	SPACER (Ø15.9xØ21.8x28.5)	1	63	PANHEAD MACHINE SCREW (M4x6xP0.7)	6
24-8	MAGNET HOLDER	1	64	DUST ATTACHMENT	1
24-9	ROTOR END PLATE	2	65	DUST PORT BRACKET-RIGHT	1
24-10	ROTOR	1	66	SPLASH GUARD	1
24-11	SPACER (Ø15.9xØ25x22)	1	67	TUBE (Ø6.4xØ10x0.2M)	1
24-12	BALL BEARING (6202)	1	68	RETAINING PLATE	1
24-13	SPECIAL WASHER	1	69	FLAT HEAD MACHINE SCREW (M5x8xP0.8)	3
24-14	BEVEL PINION GEAR (M2.0x10T)	1	70	INNER FLANGE (Ø25.4)/(Ø22.2)/(Ø27)	1
24-15	GEAR CASE	1	70	COUNTER FLANGE	1
24-16	SOCKET CAP SCREW (M5x25xP0.8)	4	71	COUNTER FLANGE	1
24-17	SPINDLE LOCK BUTTON	1	72	BOLT (M10xP1.5)	1
24-18	SPRING (Ø0.9xØ7.4xØ9.2x5Tx16L)	1	73	OUTER BLADE COVER	1
24-19	ARBOR LOCK	1	74	FRONT HANDLE	1
24-20	NEEDLE BEARING (TA1212)	1	75	SOCKET CAP SCREW (M8x16xP1.25)	2
24-21	ELECTRONICS HARNESS	1	76	ZIP TIE (KTV-150BK)	1
25	GUIDE ROLLER ASSY.	1	77	HOSE JOINER (BLACK-Ø12xØ14.4)	3
26	WATER FEED CONNECTOR KIT	1	78	HEX KEY (M3)	1
27	CABLE PROTECTOR (Ø10x80CM)	1	79	WRENCH (M17)	1
28	SPRING	1	80	O-RING (Ø18x2)	1
29	HOSE BARB	1	81	COVER (BLACK)	1
30	TUBE (Ø6.4xØ10x0.3M)	1	82	PANHEAD TAPPING SCREW (M4x12)	4
31	CLIP	3	85	PROTECTED CABLE DESIGN	1
32	BEVEL GEAR (M2.0x43T)	1		FLUSH CUTTING BLADE (16") ( 88.9mm bolt hole circle )	1
33	INTERMEDIATE GEAR (M2.0x29T)	1		FLUSH CUTTING BLADE ( 60mm bolt hole circle )	1

# EXPLODED VIEW (Power Converter)



NO.01~43 Version 2023.02.07 D.888



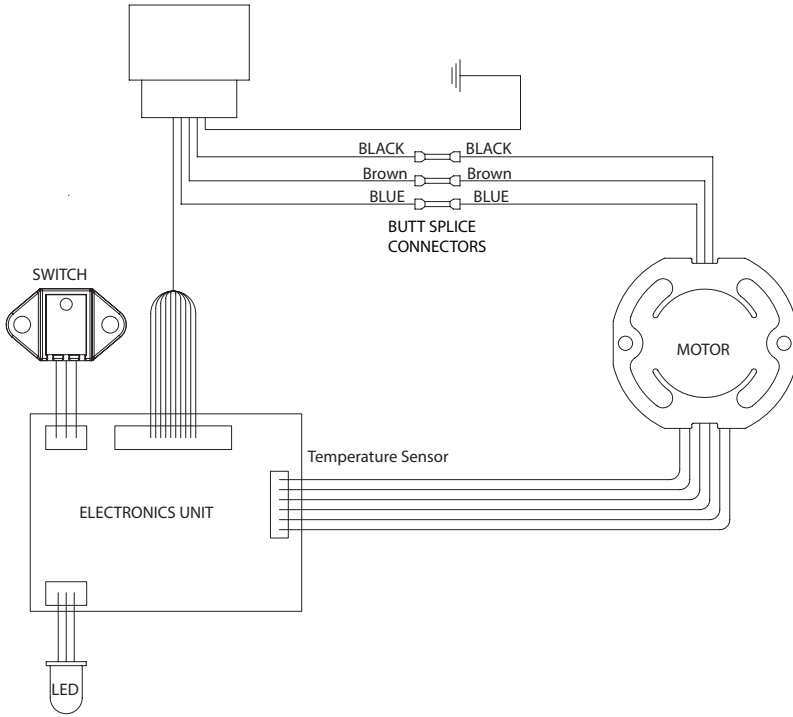
## PARTS LIST (Power Converter)

NO.	Parts Name	Q'ty
1	POWER SUPPLY CABLE	1
2	CABLE GLAND	1
3	PANHEAD TAPPING SCREW (M5x12)	8
4	ENCLOSURE	1
5	STRAP	1
6	SOCKET CAP SCREW (M5x20xP0.8)	2
7	SOCKET CAP SCREW (M4x10xP0.7)	12
8	SPRING WASHER (M4)	4
9	BRACKET	6
10	MIL-SPEC SOCKET RECEPTACLE	1
11	NYLOCK NUT (M5xP0.8)	3
12	TETHER	1
13	BAYONET COLLAR	1
14	O-RING (Ø52.07x2.62)	1
15	CAP	1
16	PANHEAD TAPPING SCREW (M4x12)	1
17	NYLOCK NUT (M4xP0.7)	2
18	FAN BRACKET	1
19	FAN	1
20	SOCKET CAP SCREW (M4x12xP0.7)	2
21	MOLDED GASKET (Ø2 x 33cm)	2
22	MOLDED GASKET (Ø2 x 63cm)	2
23	COVER - PANEL	1
24	WINDOW (65x35x1)	1
25	LCD MODULE	1
26	PANHEAD TAPPING SCREW (M4x8)	4
27	SOCKET CAP SCREW (M6x35xP1.0)	4
28	FLAT WASHER (Ø6.5xØ13x1)	4
29	FOOT	4
30	NYLOCK NUT (M6xP1.0)	4
31	SOCKET CAP SCREW (M4x20xP0.7)	24
32	COVER - PANEL	1
38	PANHEAD MACHINE SCREW (M5-0.8 x 8)	1
39	ADAPTOR CABLE	1
40	DRAIN HOSE	1
41	RUBBER WASHER (Ø4xØ11x1)	2
42	BUTTON	1
43	ELECTRONICS UNIT	1

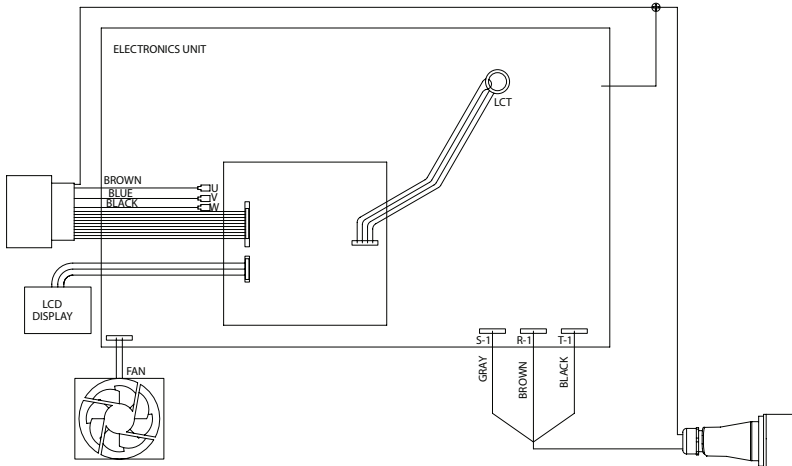
-GB-  
**WIRING**

---

**High Frequency Saw:**

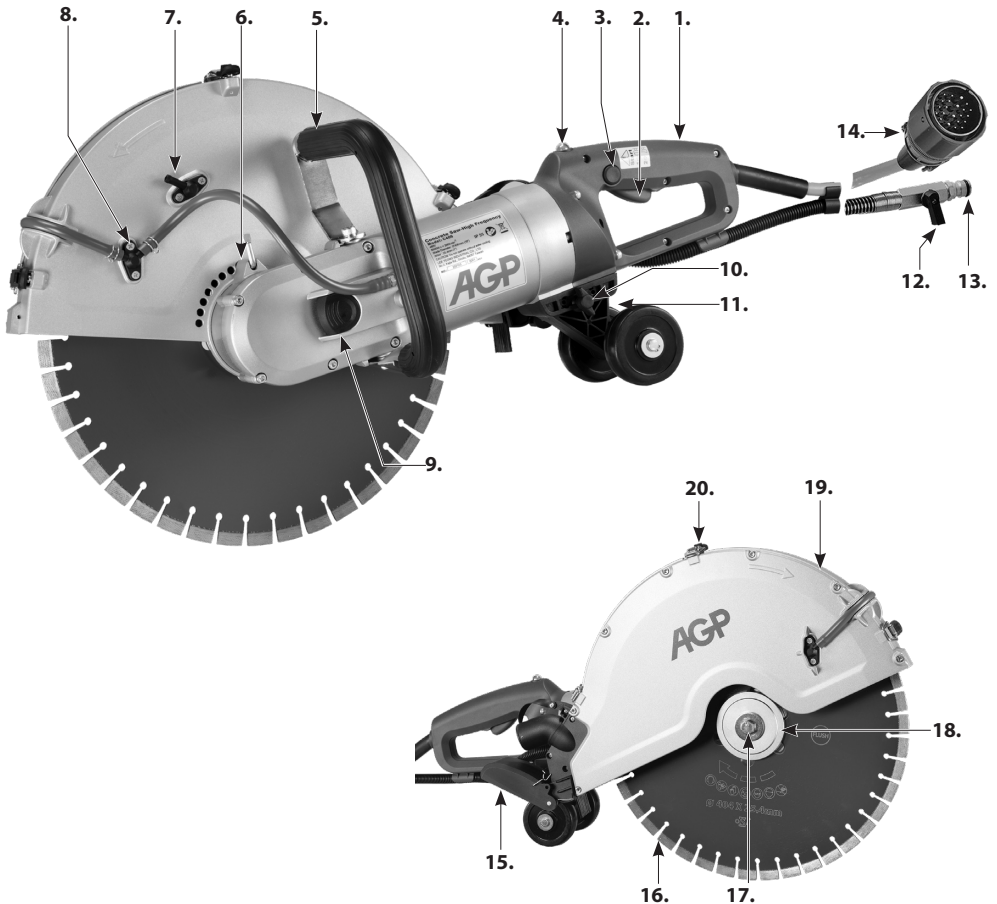


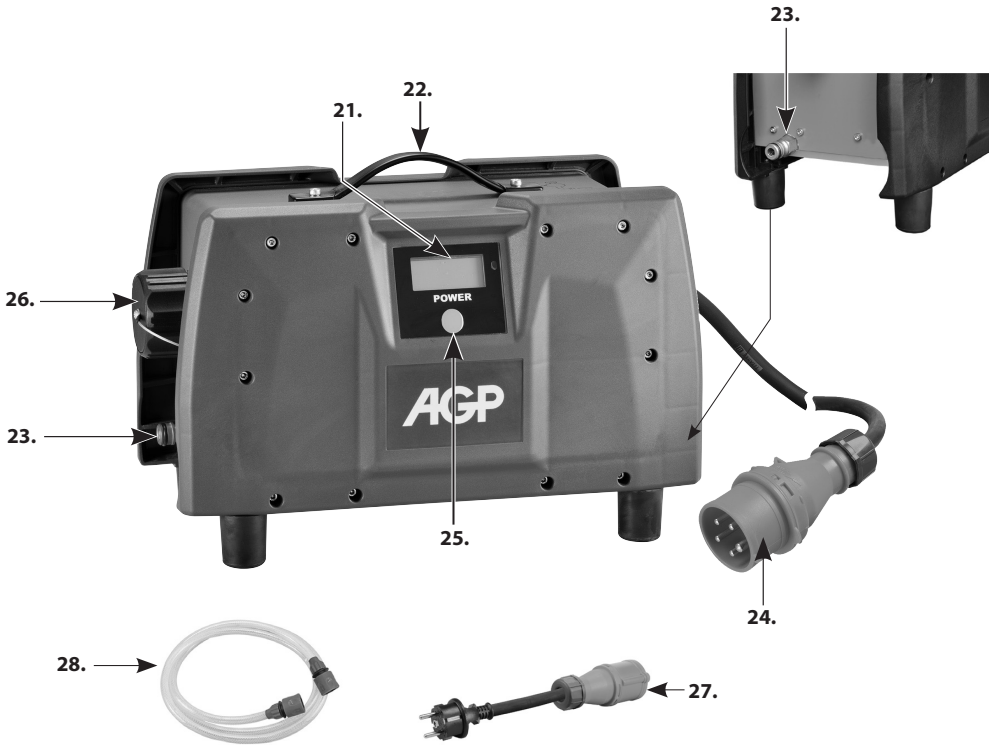
**Power Converter:**



**TECHNISCHE DATEN**

<b>Hochfrequenz-Betonsäge</b>		<b>Umrichter</b>
Leistung:		Eingang (max.)
1Ø ~ 200-240 V	5 500 W (32 A), 3 600W (16 A)	32 A
3Ø ~220-240 V	5 500 W	25 A
3Ø ~380-480V	6 600 W	16 A
Leerlaufdrehzahl	3 900 / Min	-
Lineargeschwindigkeit mit	82.9 m/s	-
Trennscheibendurchmesser	406 mm (16")	-
Dorn	25.4 mm (1")	-
Min. Klinge Kerndicke	1,7 mm (0,067")	-
Max. Klinge Kerndicke	4,3 mm (0,169")	-
Max. Schnitttiefe	150 mm (6")	-
Min. Wasserdurchfluss (25°C)	-	3.5 L/min (1 gpm)
Max. Wasserdruck	-	7 bar (100 psi)
Abmessungen (L x B x H)	780 x 260 x 300 mm	460 x 220 x 260 mm
Gewicht	10.5 kg (23.1 lb)	7.1 kg (15.6 Lbs)





- 1. Hauptgriff
- 2. Druckschalter
- 3. Entriegelungstaste
- 4. Last-Warnleuchte
- 5. Seitengriff
- 6. Schutzhaubenverriegelungshebel
- 7. Alternativer Zufuhrstutzen
- 8. Wasserzufuhrdüse
- 9. Dornverriegelungstaste
- 10. Flügelschraube
- 11. Führungsrollenbaugruppe
- 12. Wasserzufuhrventil
- 13. Wasserkupplung
- 14. Motorverbindungskabel

- 15. Spritzschutz
- 16. Diamantscheibe
- 17. Dornbolzen
- 18. Äußerer Flansch
- 19. Schutzhaube
- 20. Spannverschlüsse
- 21. LCD-Display
- 22. Umrichter
- 23. Wasserversorgung Einlass/Auslass
- 24. Netzkabel
- 25. Netzschalter
- 26. Motoranschlusssteckdose
- 27. 1-Phasen-Adapterkabel (optional)
- 28. Wasseranschlussschlauch

# ALLGEMEINE SICHERHEITSANWEISUNGEN



**WARNUNG! Lesen Sie Sicherheitswarnungen und alle Anweisungen.** Eine Nichtbeachtung der Warnungen und der Anweisungen kann zu elektrischen Schlägen, Feuer und/oder schweren Verletzungen führen.

**Heben Sie alle Warnungen und Anweisungen für zukünftige Verwendung auf.**

Der Begriff „Elektrowerkzeug“ in den Warnungen bezieht sich auf ein mit Netzstrom betriebenes (kabelgebundenes) Elektrowerkzeug oder ein batteriebetriebenes (schnurloses) Elektrowerkzeug.

## 1. SICHERHEIT DES ARBEITSBEREICHS

- a. **Halten Sie den Arbeitsbereich aufgeräumt und gut ausgeleuchtet.** Unordentliche oder dunkle Arbeitsbereiche führen zu Unfällen.
- b. **Betreiben Sie keine Elektrowerkzeuge in explosionsgefährdeten Bereichen wie z. B. in der Nähe von entflammaren Flüssigkeiten, Gasen oder Staub.** Elektrowerkzeuge können Funken erzeugen, die Staub oder Dämpfe entzünden können.
- c. **Halten Sie Kinder und umstehende Personen fern, während Sie ein Elektrowerkzeug benutzen.** Ablenkungen können dazu führen, dass Sie die Kontrolle verlieren.
- d. **Lassen Sie das Elektrowerkzeug nie unbeaufsichtigt.** Verlassen Sie die Maschine erst, wenn sie zum vollständigen Stillstand gekommen ist.

## 2. ELEKTRISCHE SICHERHEIT

- a. **Die Stecker von Elektrowerkzeugen müssen zu den Steckdosen passen. Modifizieren Sie niemals den Netzstecker in irgendeiner Weise. Benutzen Sie keine Adapter-Stecker mit geerdeten Elektrowerkzeugen.** Nicht modifizierte Stecker und passende Steckdosen verringern die Gefahr eines elektrischen Schlages.
- b. **Vermeiden Sie Körperkontakt mit geerdeten Oberflächen wie Rohren, Heizkörpern, Herden und Kühlschränken.** Es besteht ein erhöhtes Risiko für einen elektrischen Schlag, wenn Ihr Körper geerdet ist.
- c. **Setzen Sie Elektrowerkzeuge nie Regen oder Nässe aus.** Das Eindringen von Wasser in ein Elektrowerkzeug erhöht das Risiko eines elektrischen Schlages.
- d. **Missbrauchen Sie das Netzkabel nicht. Benutzen Sie das Kabel niemals zum Tragen oder Ziehen des Elektrowerkzeugs oder zum Ziehen seines Steckers aus der Steckdose. Halten Sie das Netzkabel von Hitze, Öl, scharfen Kanten oder beweglichen Teilen fern.** Beschädigte oder verwickelte Kabel erhöhen das Risiko eines elektrischen Schlages.
- e. **Benutzen Sie beim Betrieb eines Elektrowerkzeugs im Freien ein Verlängerungskabel, das für die Verwendung im Außenbereich geeignet ist.** Ein für den Einsatz im Außenbereich geeignetes Netzkabel verringert das Risiko eines elektrischen Schlages.
- f. **Wenn die Benutzung des Elektrowerkzeuges in einer feuchten Umgebung unvermeidlich ist, verwenden Sie einen Fehlerstrom-Schutzschalter (FI-Schalter).** Die Verwendung eines Fehlerstrom-Schutzschalters reduziert die Gefahr eines elektrischen Schlages.

### 3. PERSÖNLICHE SICHERHEIT

- a. **Bleiben Sie stets aufmerksam, achten Sie darauf, was Sie tun, und benutzen Sie gesunden Menschenverstand beim Betrieb eines Elektrowerkzeugs. Verwenden Sie kein Elektrowerkzeug, wenn Sie müde sind oder unter dem Einfluss von Drogen, Alkohol oder Medikamenten stehen.** V Ein kleiner Moment der Unachtsamkeit kann beim Betrieb eines Elektrowerkzeugs zu schweren Verletzungen führen.
- b. **Tragen Sie Personenschutz-ausrüstung. Tragen Sie stets Augenschutz.** Die Verwendung von für die jeweiligen Arbeiten geeigneter Schutzausrüstung wie Staubschutzmasken, rutschfesten Sicherheitsschuhen, Schutzhelmen oder Gehörschutz verringert das Verletzungsrisiko.
- c. **Verhindern Sie eine unbeabsichtigte Inbetriebnahme. Stellen Sie sicher, dass sich der Schalter in der Aus-Position befindet, bevor Sie das Werkzeug an das Stromnetz anschließen, den Akku einlegen oder es aufnehmen oder tragen.** Elektrowerkzeuge mit dem Finger auf dem Schalter zu tragen oder Elektrowerkzeuge, deren Schalter auf Ein-Position steht, mit Strom zu versorgen, kann zu Unfällen führen.
- d. **Entfernen Sie jeden Einstellschlüssel oder Schraubenschlüssel, bevor Sie das Elektrowerkzeug einschalten.** Ein an einem rotierenden Teil des Elektrowerkzeugs vergessener Schraubenschlüssel oder andere Schlüssel kann zu Verletzungen führen.
- e. **Überlehnen Sie sich nicht. Achten Sie stets auf korrekten Halt und Balance.** Dies ermöglicht eine bessere Kontrolle des Elektrowerkzeugs in unerwarteten Situationen.
- f. **Tragen Sie angebrachte Kleidung. Tragen Sie keine lockeren Kleidungsstücke oder Schmuck. Halten Sie Ihr Haar, Ihre Kleidung und Handschuhe von beweglichen Teilen fern.** Lockere Kleidung, Schmuck oder langes Haar können sich in beweglichen Teilen verfangen.
- g. **Wenn Einrichtungen für den Anschluss von Geräten zur Staubabsaugung vorhanden sind, stellen Sie sicher, dass diese Geräte angeschlossen sind und richtig verwendet werden.** Die Verwendung einer Staubabsaugung kann die mit Staub verbundenen Gefahren reduzieren.
- h. **Lassen Sie sich nicht durch Routine aufgrund von häufiger Verwendung von Werkzeugen dazu verleiten, unvorsichtig zu werden und Sicherheitsprinzipien zu ignorieren.** Ein Bruchteil einer Sekunde Unachtsamkeit genügt, um schwere Verletzungen zu verursachen.

### 4. VERWENDUNG UND PFLEGE VON ELEKTROWERKZEUGEN

- a. **Forcieren Sie das Elektrowerkzeug nicht. Benutzen Sie das richtige Elektrowerkzeug für Ihre Anwendung.** Mit dem richtigen Elektrowerkzeug wird die Arbeit, für die es konzipiert wurde, besser, sicherer und mit der richtigen Geschwindigkeit durchgeführt.
- b. **Verwenden Sie das Elektrowerkzeug nicht, wenn es nicht mit dem Schalter ein- und ausgeschaltet werden kann.** Ein Werkzeug, das nicht mit dem Schalter gesteuert werden kann, ist gefährlich und muss repariert werden.
- c. **Ziehen Sie den Netzstecker aus der Steckdose und/oder entnehmen Sie den Akku, bevor Sie irgendwelche Einstellungen vornehmen, Zubehörteile wechseln oder das Elektrowerkzeug lagern.** Solche vorbeugenden Sicherheitsmaßnahmen verringern die Gefahr einer unbeabsichtigten Inbetriebnahme des Elektrowerkzeugs.
- d. **Bewahren Sie unbenutzte Elektrowerkzeuge außerhalb der Reichweite von Kindern auf und lassen Sie nicht zu, dass Personen, die mit dem Elektrowerkzeug und diesen Anweisungen nicht vertraut**

**sind, das Elektrowerkzeug benutzen.** Elektrowerkzeuge sind in den Händen ungeübter Bediener gefährlich.

- e. Warten Sie Elektrowerkzeuge und Zubehör. Überprüfen Sie bewegliche Teile auf Fehlausrichtung oder Klemmen, inspizieren Sie alle Teile hinsichtlich Bruch oder anderer Fehler, die den Betrieb des Elektrowerkzeugs beeinflussen können. Wenn Beschädigungen auftreten, lassen Sie das Elektrowerkzeug vor erneuter Benutzung reparieren.** Viele Unfälle werden durch schlecht gewartete Elektrowerkzeuge verursacht.
- f. Halten Sie Schneidwerkzeuge scharf und sauber.** Ordnungsgemäß gewartete Schneidwerkzeuge mit scharfen Schneidkanten verklemmen sich mit geringerer Wahrscheinlichkeit und sind leichter zu kontrollieren.
- g. Verwenden Sie das Elektrowerkzeug, sein Zubehör und Werkzeugaufsätze usw. nur in Übereinstimmung mit diesen Anweisungen und unter Berücksichtigung der Arbeitsbedingungen und der durchgeführten Arbeiten.** Die nicht-zweckmäßige Verwendung des Elektrowerkzeugs kann zu einer gefährlichen Situation führen.
- h. Halten Sie Griffe und Griffflächen trocken, sauber und frei von Öl und Schmierfett.** Rutschige Griffe verhindern eine sichere Handhabung und Kontrolle des Werkzeugs in unerwarteten Situationen.


## 5. SERVICE


**Lassen Sie Ihr Elektrowerkzeug nur von qualifiziertem Personal und mit Originalersatzteilen warten.**


Auf diese Weise wird die Sicherheit des Elektrowerkzeugs gewährleistet.


### In dieser Betriebsanleitung verwendete Symbole


V..... Volt  
A..... Ampere  
Hz..... Hertz  
W..... Watt  
~..... Wechselstrom  
n ..... Nenndrehzahl  
min<sup>-1</sup>.....Umdrehungen oder Zyklenzahl pro Minute  
1∅.....Einphasenstrom  
3∅.....Dreiphasenstrom

 ..... mit Schutzleiter

 .....Warnung vor allgemeiner Gefahr


 ..... diese Anweisungen lesen


 .....stets Augenschutz tragen

 .....Stets eine Atemschutzmaske tragen

 ..... Stets Gehörschutz tragen

 ..... Schutzhelm tragen

 .....GEFAHR! Halten Sie Ihre Hände von Schnittbereich und Sägeblatt fern.

 Elektrowerkzeuge, Zubehör und Verpackung dürfen nicht mit dem Hausmüll entsorgt werden.

 .....Stets mit Wasserkühlung verwenden

## Sicherheitswarnungen für Trennschleifer

- **Der Trennscheibenschutz muss sicher am Elektrowerkzeug befestigt und für maximale Sicherheit so positioniert werden, dass nur ein minimaler Teil der Scheibe dem Bediener gegenüber freiliegt. Positionieren Sie sich und andere Personen von der Ebene des rotierenden Zubehörs entfernt.**  
Der Trennscheibenschutz hilft, den Bediener vor Bruchstücken von gebrochenen Scheiben und versehentlichem Kontakt mit der Scheibe zu schützen.
- **Verwenden Sie nur Diamanttrennscheiben mit Ihrem Elektrowerkzeug.** Die Tatsache allein, dass ein Zubehörteil an Ihrem Elektrowerkzeug angebracht werden kann, bedeutet noch nicht, dass es sicher in der Bedienung ist.
- **Die Nenndrehzahl des Zubehörs muss mindestens gleich der auf dem Elektrowerkzeug angegebenen maximalen Drehzahl sein.** Zubehör, das schneller als seine Nenndrehzahl läuft, kann brechen und auseinander fliegen.
- **Die Scheiben dürfen nur für die empfohlenen Anwendungen verwendet werden. Schneiden Sie zum Beispiel nicht mit der Seite der Trennscheibe.** Trennscheiben sind für peripheres Schneiden bestimmt, wenn seitliche Kräfte auf diese Scheiben angewandt werden, kann dies dazu führen, dass die Scheiben zerbrechen.
- **Verwenden Sie stets unbeschädigte Scheibenflansche mit der richtigen Größe für Ihre ausgewählte Scheibe.** Die richtigen Scheibenflansche stützen die Scheibe und reduzieren so das Risiko eines Bruchs.
- **Verwenden Sie keine abgenutzten, verstärkten Scheiben von größeren Elektrowerkzeugen.** Trennscheiben, die für größere Elektrowerkzeuge bestimmt sind, sind nicht für die höhere Geschwindigkeit kleinerer Werkzeuge geeignet und können platzen.
- **Der äußere Durchmesser und die Dicke des Zubehörs müssen innerhalb der zulässigen Kapazität des Elektrowerkzeugs liegen.** Zubehör falscher Größe kann nicht ausreichend gesichert oder gesteuert werden.
- **Die Größe der Dornbohrungen der Scheiben und Flansche muss exakt mit der des Dorns des Elektrowerkzeugs übereinstimmen.** Scheiben und Flansche, deren Dornbohrungen nicht mit den Befestigungsteilen des Elektrowerkzeugs übereinstimmen, laufen mit einer Unwucht, vibrieren übermäßig und können zum Verlust der Kontrolle über das Werkzeug führen.
- **Verwenden Sie keine beschädigten Trennscheiben. Prüfen Sie die Scheiben vor jedem Gebrauch auf Splitter und Risse. Wenn das Elektrowerkzeug oder die Trennscheibe fallengelassen wurde, untersuchen Sie sie auf Schäden oder bauen Sie eine unbeschädigte Scheibe an. Nach dem Prüfen und Installieren der Trennscheibe, positionieren Sie sich und andere Personen von der Ebene der rotierenden Scheibe entfernt und lassen Sie das Elektrowerkzeug bei maximaler Leerlaufdrehzahl für eine Minute laufen.** Beschädigte Scheiben würden in der Regel während dieser Testzeit auseinanderbrechen.
- **Personenschutz ausrüsten. Tragen Sie je nach Anwendung Gesichtsschutz, Schutzbrille mit Seitenschutz oder eine einfache Schutzbrille. Tragen Sie gegebenenfalls eine Staubschutzmaske, einen Gehörschutz, Handschuhe oder eine Arbeitsschürze, die kleinen Abriebteilchen oder Werkstückfragmenten standhalten kann.** Der Augenschutz muss in der Lage sein, umherfliegende Teile, die durch verschiedene Arbeiten erzeugt werden, aufzuhalten. Die Staubmaske oder Atemschutzmaske muss in der Lage sein, Staubteilchen, die bei der Arbeit erzeugt werden, auszufiltern. Eine längere Exposition gegenüber Lärm hoher Intensität kann Hörschäden verursachen.
- **Andere Personen müssen sich in sicherer Entfernung vom Arbeitsbereich aufhalten. Jede Person, die in den Arbeitsbereich eintritt, muss Personenschutz ausrüsten tragen.** Fragmente



des Werkstücks oder abgebrochene Zubehöerteile können über die unmittelbare Umgebung des Arbeitsbereichs heraus herumfliegen und Verletzungen verursachen.

- **Halten Sie die Maschine an den isolierten Griffflächen, wenn Sie Arbeiten ausführen, bei denen das Schneidwerkzeug verborgene Stromleitungen oder das eigene Netzkabel treffen kann.** Der Kontakt mit einer spannungsführenden Leitung kann auch metallene Maschinenteile unter Spannung setzen und zu einem elektrischen Schlag führen.
- **Positionieren Sie das Netzkabel weit entfernt von sich drehenden Zubehörteilen.** Wenn Sie die Kontrolle verlieren, kann das Kabel zerschnitten werden oder sich verwickeln und Ihre Hand oder Ihren Arm in die sich drehende Scheibe ziehen.
- **Legen Sie das Werkzeug niemals ab, bis das Zubehör zum Stillstand gekommen ist.** Die sich drehende Scheibe kann die Oberfläche greifen und das Elektrowerkzeug außerhalb Ihrer Kontrolle ziehen.
- **Lassen Sie das Elektrowerkzeug niemals laufen, wenn Sie es neben sich tragen.** Versehentlicher Kontakt Ihrer Kleidung mit dem sich drehenden Zubehör könnte dazu führen, dass das Werkzeug an Ihren Körper gezogen wird.
- **Reinigen Sie regelmäßig die Lüftungsschlitze des Elektrowerkzeugs.** Der Lüfter des Motors zieht den Staub ins Innere des Gehäuses, und eine übermäßige Ablagerung von pulverisiertem Metall kann zu elektrischen Gefahren führen.
- **Betreiben Sie das Elektrowerkzeug nicht in der Nähe brennbarer Materialien.** Funken könnten diese Materialien entzünden.

## Rückschlag und zugehörige Warnhinweise

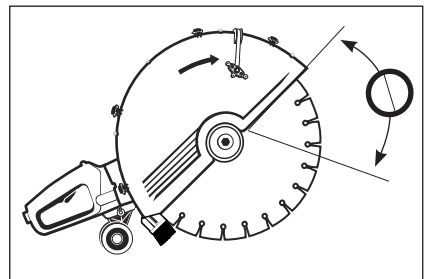
- **Der Rückschlag ist eine plötzliche Reaktion des Werkzeugs, wenn sich eine Scheibe verklemmt oder verhakt. Das Verklemmen oder Hängenbleiben führt zu einem schnellen Abwürgen der sich drehenden Scheibe, was wiederum bewirkt, dass die unkontrollierte Energie des Werkzeugs in die entgegengesetzte Richtung der Drehrichtung der Scheibe in diesem Moment wirkt.** Wenn zum Beispiel eine Trennscheibe sich verhakt oder vom Werkstück eingeklemmt wird, kann die Kante der Verklammerung in die Oberfläche des Materials eingraben, wodurch die Scheibe herausgedrückt oder herausgeschleudert wird. Die Scheibe kann entweder zum Bediener hin oder von ihm weg springen – je nach Drehrichtung der Scheibe am Ort der Verklammerung. Trennscheiben können unter diesen Bedingungen auch brechen. Rückschlag ist das Ergebnis von Missbrauch und/oder falscher Bedienung oder falschen Einsatzbedingungen des Elektrowerkzeugs und kann mit entsprechenden Vorsichtsmaßnahmen, wie sie im Folgenden dargelegt sind, vermieden werden.
- **Halten Sie das Elektrowerkzeug stets richtig fest und positionieren Sie Ihren Körper und Ihren Arm in einer Weise, die es Ihnen ermöglicht, Rückschlagkräften zu widerstehen. Verwenden Sie stets den Zusatzhandgriff, wenn vorhanden, um die maximale Kontrolle über Rückschlag- oder Drehmomentkräfte bei der Inbetriebnahme zu haben.** Wenn die entsprechenden Vorsichtsmaßnahmen getroffen werden, kann der Bediener die Drehmoment- oder Rückschlagkräfte kontrollieren.
- **Halten Sie niemals Ihre Hand in die Nähe der rotierenden Zubehöerteile.** Das Zubehörteil kann durch Rückschlag auf Ihre Hand treffen.
- **Positionieren Sie Ihren Körper nicht auf gleicher Linie mit der sich drehenden Trennscheibe.** Ein Rückschlag wird das Werkzeug in die entgegengesetzte Richtung der Drehrichtung der Scheibe am Punkt der Verklammerung katapultieren.

- **Gehen Sie besonders vorsichtig bei der Arbeit an Ecken, scharfen Kanten etc. vor. Vermeiden Sie, dass das Zubehörteil springt oder sich verklemt.** An Ecken, scharfen Kanten oder beim Springen des Zubehörteils besteht eher die Gefahr einer Verklemmung des sich drehenden Zubehörteils, was zu Verlust der Kontrolle oder Rückschlag führt.
- **Bringen Sie am Werkzeug keine Sägekette, kein Holzsägeblatt oder anderes gezahntes Sägeblatt oder eine segmentierte Diamantscheibe mit einem peripheren Spalt von über 10 mm an.** Solche Blätter führen häufiger zu Rückschlag und Verlust der Kontrolle.
- **Lassen Sie die Trennscheibe sich nicht „festfressen“ oder üben Sie übermäßigen Druck aus. Versuchen Sie nicht, einen übermäßig tiefen Schnitt durchzuführen.** Eine Überbeanspruchung der Trennscheibe erhöht die Belastung und Anfälligkeit, sich zu verklemmen oder im Schnitt festzufressen, was zu einem Rückschlag oder Bruch der Scheibe führen kann.
- **Wenn die Trennscheibe sich verklemt oder Sie einen Schnitt aus irgendeinem Grund unterbrechen müssen, schalten Sie das Elektrowerkzeug aus und halten Sie es regungslos fest, bis die Scheibe zum Stillstand gekommen ist. Versuchen Sie niemals, die Trennscheibe aus dem Schnitt zu ziehen, während sie noch in Bewegung ist, da es ansonsten zu einem Rückschlag kommen kann.** Untersuchen Sie die Ursache der Verklemmung der Trennscheibe und ergreifen Sie entsprechende Korrekturmaßnahmen.
- **Starten Sie den Schneidvorgang nicht wieder, wenn sich die Trennscheibe noch im Werkstück befindet. Lassen Sie die Trennscheibe zuerst außerhalb die volle Drehzahl erreichen, und führen Sie sie dann vorsichtig wieder in den Schnitt ein.** Wenn das Werkzeug gestartet wird, während sich die Trennscheibe im Schnitt befindet, kann sie sich verklemmen oder herausgeschleudert werden, oder es kann zu einem Rückschlag kommen
- **Stützen Sie Platten und übergroße Werkstücke ab, um die Gefahr des Verklemmens und eines Rückschlags zu minimieren.** Große Werkstücke senken sich in der Regel unter ihrem eigenen Gewicht ab. Deshalb müssen sie von unten in der Nähe der Schnittlinie und in der Nähe der Kante des Werkstücks auf beiden Seiten des Schnitts abgestützt werden.
- **Seien Sie besonders vorsichtig, wenn Sie „Taschen“ in vorhandene Wände oder andere Bereiche, deren Rückseite Sie nicht einsehen können, schneiden.** Die Trennscheibe kann beim Heraustreten an der Rückseite auf Gas-, Strom oder Wasserleitungen oder auf Gegenstände treffen, die einen Rückschlag auslösen .

## SICHERHEITSWARNUNGEN FÜR TRENSCHLEIFER - ZUSÄTZLICHE SICHERHEITSHINWEISE

**WARNUNG:** Schneiden Sie nicht im oberen Quadranten der Scheibe, besonders zu Beginn des Schnitts. Dieser Bereich führt sehr wahrscheinlich zu einem Rückschlag.

**WARNUNG:** Achten Sie beim Schneiden von Kunststoffen darauf, dass der Kunststoff nicht schmilzt. Wenn der Kunststoff schmilzt, kann er an der Scheibe kleben bleiben, was zu einem Rückschlag führt.



## ELEKTROANSCHLUSS

Die Netzspannung muss mit der Spannungsangabe auf dem Typenschild des Werkzeugs übereinstimmen. Das Werkzeug darf unter keinen Umständen verwendet werden, wenn das Netzkabel beschädigt ist. Ein beschädigtes Kabel muss sofort durch ein autorisiertes Service Center ersetzt werden. Versuchen Sie nicht, das beschädigte Kabel selbst zu reparieren. Die Verwendung von beschädigten Kabeln kann zu einem elektrischen Schlag führen.

**WARNUNG: Dieses Gerät muss immer geerdet sein. Wenn die Steckdose (Buchse) keinen Erdungsanschluss hat, muss der Netzstecker separat geerdet werden. Der Betrieb ohne Erdung erhöht das Risiko eines Stromschlags, schwerer Verletzungen und/oder des Todes."**

**WARNUNG: Betreiben Sie niemals eine beschädigte Maschine. Markieren Sie stets eine beschädigte Maschine und nehmen Sie sie außer Betrieb, bis die Reparatur durchgeführt worden ist.**

Die Verbindung zwischen Umrichter und Motor wird mit einem Spezial-Motorverbindungskabel mit Spezialstecker hergestellt. Zu Anschließen drehen Sie den Deckel ab, richten Sie die Zapfen aus schieben Sie den Stecker ein und schrauben Sie die Manschette an. Achten Sie darauf, die Kontakte nicht zu verbiegen. Wenn nicht in Verwendung, lassen Sie den Deckel angebracht. Modifizieren Sie diesen Stecker nicht in irgendeiner Weise.

### 3-phasige Stromversorgung:

Im Idealfall sollte der Umrichter mit 380 V bis 480 V für 3-phasige Stromversorgung versorgt werden, um die maximale Leistung zu erreichen. Wenn der Stecker nicht in die vorhandene Steckdose passt, kann ein geeigneter Stecker von einem qualifizierten Elektriker angebaut werden.

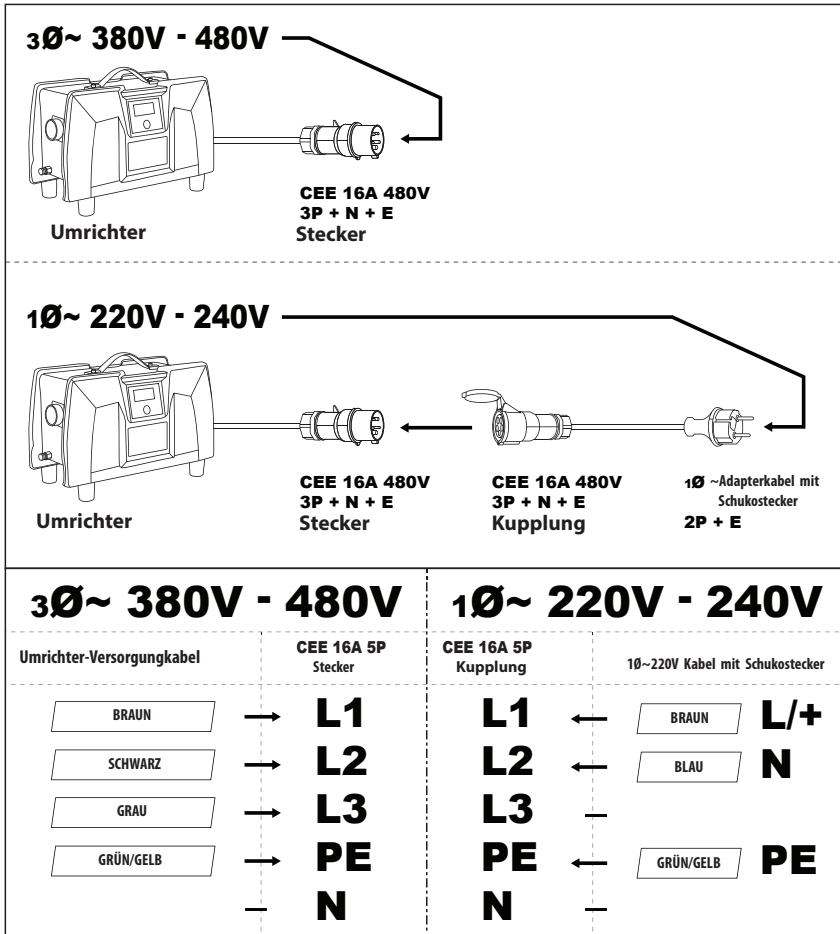
### 1-phasige Stromversorgung:

In Situationen, in denen eine 3-phasige Stromversorgung nicht verfügbar ist, kann diese Maschine auch mit einer 1-phasigen Stromversorgung von 220 V bis 240 V mit leicht reduzierter Leistung betrieben werden. Verwenden Sie dazu das 1-Phasen-Adapterkabel. Mit dem 1-Phasen-Adapterkabel wird der Strom auf 16 A begrenzt.

Wenn eine höhere Stromstärke benötigt wird und ein 32 A- oder größerer Leistungsschalter verfügbar ist, kann der Netzstecker abgebaut werden und das Stromkabel des Umrichters direkt an den Schalter angeschlossen werden. Schließen Sie in diesem Fall die Drähte L1 und L2 an den Leistungsschalter an und lassen L3 nicht verbunden. Schließen Sie dann das Erdungskabel (Masse) an den Erdungsanschluss an.

**HINWEIS: Die oben aufgeführten Arbeiten dürfen nur von einem qualifizierten Elektriker ausgeführt werden.**

## STROMVERSORGUNGSANSCHLÜSSE: 3-PHASIG UND 1-PHASIG



### EINLEITUNG

Diese Maschine ist ein Hochfrequenz-Spezialwerkzeug mit PMSM (Permanentmagnet-Synchronmotor), das in Verbindung mit dem Hochfrequenz-Umrichter für die Stromversorgung verwendet werden muss. Dieser Umrichter nimmt 220V bis 480V, 50Hz oder 60Hz, ein- oder dreiphasige Versorgung auf und wandelt sie in Hochfrequenz für den Einsatz mit dem Motor um. Die Verbindung zwischen Umrichter und Motor wird mit einem Motorverbindungskabel mit Spezialstecker hergestellt.

Der Umrichter hat einen 3-Phasen-Stromversorgungsstecker und einen 1-Phasen-Adapterstecker für die Verwendung mit 1-phasiger Stromversorgung. Die maximale Leistung wird mit 380 bis 480 V, 3-phasiger Stromversorgung erreicht. Bei einer Stromversorgung mit 220 V bis 240 V (3-phasig oder 1-phasig) wird die Leistung reduziert.

Diese Maschine ist mit zwei Handgriffen und einer Schutzhaube ausgestattet. Sie verfügt über ein integriertes

Wasserzufuhrsystem, das für die Kühlung und das Diamantschneiden erforderlich ist. Der Umrichter verfügt über einen eingebauten Fehlerstromschutzschalter (FI-Schalter) für die elektrische Sicherheit sowie Überlast-, Überhitzungs-, Unterspannungs- und Überspannungsschutz. Sie darf nur mit einer Diamanttrennscheibe betrieben werden. Sie ist für das Schneiden von Mauerwerk, Stein, Beton, Stahlbeton und ähnlichen Materialien vorgesehen. Alle anderen Verwendungen sind untersagt.

## **INHALT**

- Betonsäge
- Umrichter
- Wasseranschlussschlauch
- 1-Phasen-Adapterkabel
- Führungsrollenbaugruppe
- M17-Gabelringschlüssel
- Spritzschutz
- Bausatz für Bündigschnitt

## **MONTAGE**

- Bauen Sie die Trennscheibe an. (Siehe „Anbau der Trennscheibe“ unten).
- Bauen Sie die Führungsrollenbaugruppe, falls gewünscht, an (Siehe „Führungsrollenbaugruppe“ unten).
- Bauen Sie den Spritzschutz an (Siehe „Spritzschutz“ unten für die Montageanleitung)

## **DIAMANTSCHLEIBEN**

### **ZULÄSSIGE SCHEIBENARTEN**

Diese Maschine darf nur mit Diamanttrennscheiben betrieben werden.

- Verwenden Sie nur segmentierte Trennscheiben oder Trennscheiben mit geschlossenem Rand.
- Bei segmentierten Diamanttrennscheiben ist die maximal zulässige Lücke zwischen den Segmenten 10 mm; und sie muss einen negativen Spanwinkel haben.
- Es dürfen nur Diamanttrennscheiben von 457mm (18") oder kleiner verwendet werden.
- Die Klingienstärke muss mindestens 2,4 mm (0,095") und darf höchstens 6,35 mm (0,250") betragen.
- Die Dicke des Klingenkerns muss mindestens 1.7 mm (0.067") und darf höchstens 4.3 mm (0.169") betragen.

### **LAGERUNG UND TRANSPORT VON TRENNSCHEIBEN**

Lagern oder Transportieren Sie die Maschine nicht mit angebauten Trennscheiben. Bauen Sie die Scheibe ab, wenn die Maschine nicht in Gebrauch ist, und lagern Sie sie auf solche Weise, dass sie nicht verbogen oder beschädigt werden kann. Dies verhindert, dass die Scheibe beschädigt wird.

Ein beschädigtes Blatt kann zu unregelmäßigen Bedingungen führen, was wiederum eine gefährliche Unwucht zu Folge haben kann. Prüfen Sie neue Scheiben stets auf Lager- oder Transportschäden.

## ÜBER DIAMANTSCHLEIBEN

Diamantschleiben bestehen aus einem Stahlkern mit Diamantsegmenten auf seiner Peripherie. Es stehen Diamantschleiben für unterschiedliche Härten von Mauerwerk, Stein, Beton, Stahlbeton etc. zur Verfügung.

Eine Diamantschleibe ist nur für den Nassschnitt konzipiert, andere können für den Trockenschnitt verwendet werden. Diese Maschine muss immer mit Wasser betrieben werden, da sie das Wasser für die Kühlung von Umrichter und Motor benötigt. Allgemein gesagt: Auch wenn ein Trennschleibe als Trockentrennschleibe spezifiziert ist, funktionieren Diamantwerkzeuge immer besser, wenn sie nass verwendet werden, das das Wasser die Schleibe vor Überhitzung schützt, die Menge des beim Schneiden freigesetzten schädlichen Staubs reduziert, den Schneidschlamm aus dem Schnitt entfernt und die Lebensdauer der Schleibe verlängert.

Die diamant-impregnierten Segmente funktionieren nach dem Prinzip der kontrollierten Erosion. Die Bindungsmatrix, die die Diamanten hält, wird ständig durch Abrieb am dem Werkstück abgenutzt, wodurch die härteren Diamanten freigelegt werden und aus der Matrix hervorstehen. Schleiben für härtere Materialien haben eine weichere Bindungsmatrix, wodurch die Diamanten aggressiver herausragen (aber nicht so lange halten). Schleiben für weichere, rauere Materialien haben eine härtere Bindungsmatrix, so dass Sie der Rauheit des Materials widerstehen und länger halten. Mit einer unzureichenden Erosion der Bindungsmatrix (die Diamanten werden nicht freigesetzt) wird die Trennschleibe stumpf. Dies wird als Verglasung bezeichnet. Wenn die Schleibe nicht mehr zu schneiden scheint, ist sie verglast.

Siehe unten: „**Schärfen einer verglasten Schleibe**“

Gehen Sie nie mit einer Stoßbewegung vor, da dadurch die Schleibe beschädigt wird. Umgekehrt sollte der Vorschub aber nicht zu sanft sein, da die Diamantsegmente sonst verglasten. Lassen Sie die Schleibe kontinuierlich laufen.

Achten Sie unbedingt darauf, dass die Schleibe senkrecht zur Schnittfuge ausgerichtet ist. Wenn die Schleibe schräg gehalten wird, kann sie leicht verklemmen. Beim Schneiden von Stahlbeton ist besondere Vorsicht geboten, wenn auf Stahl getroffen wird. Verringern Sie den Vorschubdruck um ca. 1/3 und lassen Sie die Schleibe im eigenen Tempo laufen, da durch zu starke Vibration die Schleibe zerstört werden kann. Sobald der Stahl geschnitten wurde, fahren Sie normal fort.

**HINWEIS: Verwenden Sie niemals eine Nassschnitt-Diamantschleibe ohne Wasser. Sie würde überhitzt und zerstört.**

Bauen Sie die Schleibe stets mit dem Pfeil in Drehrichtung der Maschine an (auf der Schutzhaube ist die Pfeilrichtung markiert).

**WARNUNG: Verwenden Sie niemals Schleiben zum Schneiden anderer Materialien als der Materialien, für die sie bestimmt sind.**

## SCHÄRFEN EINER VERGLASTEN SCHEIBE

Diamantscheiben können verglast (stumpf werden). Sobald die Diamantsegmente verglast sind, vermindert sich die Schnittleistung der Scheibe und die Segmente werden überhitzt. Zum Schärfen der Scheibe drehen Sie die Wasserzufuhr ab und führen Sie einige Schnitte in einem sehr weichen, rauen Material wie Ziegelstein, Aluminiumoxid oder Siliziumkarbid durch.

## ANBAU DER TRENNSCHEIBE

Stellen Sie zunächst sicher, dass die Maschine ausgesteckt ist.

Greifen Sie dann mit dem 17 mm-Gabelringschlüssel den Dornbolzen und drehen Sie den Dorn, während Sie auf die Dornverriegelung drücken. Wenn der Dorn die richtige Position erreicht hat, rastet die Dornverriegelung ein. Dann kann der Dornbolzen gelöst und der ebene äußere Flansch abgenommen werden.

Der innere Flansch dieser Maschine ist 1" (25,4 mm). Überprüfen Sie den inneren Flansch, um sicherzustellen, dass die Größe mit der Bohrung der Scheibe übereinstimmt.

Inspizieren Sie die Scheibe vor der Verwendung. Sie darf nicht gerissen, verbogen oder in irgendeiner Weise beschädigt sein, dass sie eine Gefährdung beim Betrieb verursachen könnte. Lose Diamantsegmente können bei hoher Geschwindigkeit weggeschleudert werden, was zu Verletzungen führen kann. Überprüfen Sie stets, dass die Diamantsegmente nicht zu sehr abgeschliffen sind. Wenn die Diamantsegmente dünner oder etwas dünner als die Scheibenkerne sind, wird die Schnittfuge zu eng, was zu einem Rückschlag führen kann.

Stellen Sie sicher, dass die Flansche und die Scheibenbohrung sauber und unbeschädigt sind und richtig zusammenpassen. Die Flansche dürfen nicht verwendet werden, wenn Sie verzogen sind, ihre Oberfläche uneben ist, Grate haben oder verschmutzt sind. Der Dornbolzen und

die Dorngewinde müssen unbeschädigt sein. Überprüfen Sie die Scheiben auf Schäden an den Segmenten oder Dornbohrungen oder andere Schäden, die zu Gefahren beim Betrieb führen könnten.

Die hervorstehende Kante des inneren Flansches muss in Richtung der Scheibe zeigen. Bauen Sie dann die Scheibe auf den inneren Flansch an und setzen Sie den äußeren Flansch auf. Stecken Sie den Dornbolzen ein und ziehen Sie ihn mit 15 bis 25 Nm fest.

**WARNUNG: Versuchen Sie nicht, eine Scheibe anzubauen, die nicht an die Maschine passt. Dies würde zu einer Unwucht und Vibrationen führen, die unkontrollierbar werden.**

## EINSTELLUNG DER SCHUTZHAUBE

Die Scheibe dreht sich im Uhrzeigersinn von der Dornseite aus gesehen. Daher wird die meisten Schnittstaub, sowie Funken und der Schlamm nach hinten ausgeworfen. Daher sollte der Schutz so eingestellt werden, dass die hintere Kante bündig mit dem Werkstück ist.

## EINSTELLUNG

Ziehen Sie zuerst den Verriegelungshebel gegen die Federspannung und drehen Sie dann die Schutzhaube in die gewünschte Position. Lassen Sie den



Verriegelungshebel in den nächstgelegenen Schlitz im Schutz einrasten.

## SPRITZSCHUTZ

Der federbelastete Spritzschutz hilft, den Schlamm, der nach hinten spritzt, zu lenken. Zu Anbau rasten Sie ihn einfach an der Rückseite der Schutzhaube ein. Zum Abbau wird er nach gekippt, bis er freispringt.

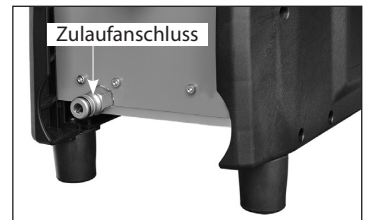
Wenn der Spritzschutz nicht erforderlich ist wie z. B. beim Trockenschneiden, kann er nach oben weggekippt werden. Verbinden Sie einfach den

Clip auf der Klappe mit der Lasche an der Halterung. Zum Lösen ausrasten.

## WASSERANSCHLUSS

Wasser ist eine Grundvoraussetzung für dieses Werkzeug und ist unabdingbar für die Kühlung von Motor und Umrichter. Das Wasser dient auch als Kühlmittel für die Diamantsegmente. Wasser bindet auch Staub und spült Abriebteilchen weg.

Der Umrichter verfügt über zwei Wasseranschlüsse. Verbinden Sie zunächst die Wasserversorgung mit einem Anschluss am Umrichter, und verbinden Sie dann den anderen Anschluss mit dem Wasseranschlussschlauch mit dem Motor.



**ACHTUNG: BETREIBEN SIE DIESES WERKZEUG NIEMALS OHNE WASSER, DAS DURCH UMRICHTER UND MOTOR FLIESST.**

**ACHTUNG: STELLEN SIE BEI TEMPERATUREN UNTER DEM GEFRIERPUNKT IMMER SICHER, DASS DAS WASSER NACH DEM GEBRAUCH VOLLSTÄNDIG AUS DEM MOTOR UND DEM UMRICHTER ABGELASSEN WIRD, DA EINFRIERENDES WASSER IN DER MASCHINE ZU SCHWEREN SCHÄDEN FÜHRT!**

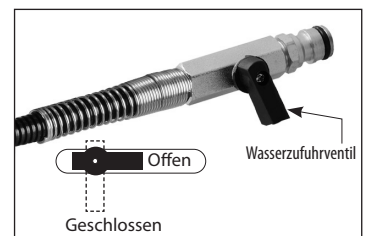
Die Maschine ist als wassergekühlte Maschine konzipiert und würde sich ohne Wasser schnell überhitzen.

**WARNUNG: Prüfen Sie alle Anschlüsse des Wasserzufuhrsystems auf Undichtigkeiten. Überprüfen Sie die Schläuche und andere wichtige Teile, die verschlissen oder beschädigt sein können.**

**WARNUNG: Der maximale Wasserdruck sollte 70 psi (4 bar) nicht überschreiten.**

Sollten sich in der Nähe Gegenstände befinden, die durch Wasser beschädigt werden könnten, verwenden Sie einen Kühlwassersammler und einen Nasssauger, um das Kühlwasser aufzufangen.

Das Wasserzufuhrsystem ist in die Maschine eingebaut. Zum Anschluss an die Wasserversorgung, ziehen Sie zuerst die Manschette der Schnellentriegelung zurück, um die Wasserkupplung abziehen. Stecken Sie nun die Wasserkupplung





wieder auf das Wasserzufuhrventil. Drücken Sie sie hinein, bis sie einrastet.

Der Wasserdurchfluss wird durch das Wasserzufuhrventil gesteuert. Das Wasser für die Scheibe kann auf die gewünschte Menge fein eingestellt werden.

**HINWEIS: Verschmutzungen in der Wasserversorgung können leicht die feinen Düsen in der Schutzhaube verstopfen. Stellen Sie sicher, dass das Wasser sauber ist. Wenn Sie feststellen, dass kein Wasser zur Trennscheibe gelangt, reinigen Sie das Wasserzufuhrsystem der Maschine mit Druckluft.**

## TROCKENSÄGEN

Wenn Trockensägen gewünscht wird, muss noch Kühlwasser durch den Umrichter und den Motor fließen.

Ziehen Sie den Original-Wasserschlauch vom Schlauchanschluss des Motorwasserauslasses ab, und schließen Sie einen langen Schlauch (nicht mitgeliefert) an diesen Schlauchanschluss an. Dieser lange Schlauch kann dann den Fluss des Kühlwassers vom Schneidbereich weg in einen Abfluss oder Auffangbehälter usw. umleiten.

## FÜHRUNGSROLLENBAUGRUPPE

Die Führungsrollen erleichtern es, die Scheibe senkrecht zum Werkstück zu halten. Zur Montage lösen Sie die Flügelschraube leicht, rasten Sie die vier Greifer in die vier Ösen auf der Unterseite des Motorgehäuses ein und ziehen Sie dann die Flügelschraube an.

## BAUSATZ FÜR BÜNDIGSCHNITT

### EINLEITUNG

Mit dem Bausatz für Bündigschnitt kann eine Scheibe für Bündigschnitt (nicht im Lieferumfang enthalten) an der Maschine angebracht werden, um bündige Schnitte durchzuführen, während die äußere Schutzhaube vorübergehend entfernt wird.

### INHALT

1. Bündigschnitt-Flansch
2. Innensechskant-Dornbolzen und Unterlegscheibe
3. Flachkopf-Innensechskantschrauben x 6
4. M5-L-Inbusschlüssel

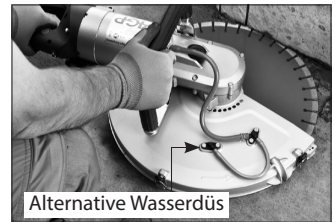
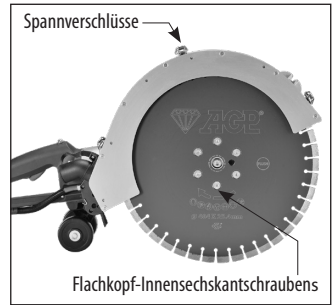


5. M8-L-Inbusschlüssel
6. Bündigschnitt-Abdeckung und Flachkopfschrauben x 7

## MONTAGE

Entfernen Sie vor der Montage des Bausatzes für Bündigschnitt zunächst die Dornbolzen, Flansche und Scheibe für den Standardbetrieb gemäß der Betriebsanleitung.

1. Entfernen Sie den Wasserschlauch von der Wasserdüse auf der äußeren Schutzhaube und schließen Sie ihn an die alternative Wasserdüse an der inneren Schutzhaube an.
2. Nehmen Sie den Spritzschutz ab und lösen Sie die 7 Schrauben, mit denen die äußere Schutzhaube befestigt ist.
3. Lösen Sie die 3 Spannverschlüsse und drücken Sie die lockeren Teile in die Plastik-Clips, um ein Klappern zu vermeiden.
4. Heben Sie die äußere Schutzhaube und bewahren Sie sie an einem sicheren Ort auf.
5. Montieren Sie den Bündigschnitt-Flansch auf den Dorn, und sichern Sie ihn mit der Unterlegscheibe und dem Innensechskant-Dornbolzen. Rasten Sie den Dornbolzen ein und ziehen Sie ihn mit dem M8-L-Inbusschlüssel fest.



### **WARNUNG: Verwenden Sie keine Distanzstücke oder anderen Flansche unter dem Bündigschnitt-Flansch!**

6. Montieren Sie die Scheibe für Bündigschnitt an den Flansch, richten Sie die Bohrungen aus und schrauben Sie die Flachkopf-Innensechskantschrauben ein. Ziehen Sie die Schrauben mit dem M5-L-Inbusschlüssel gleichmäßig über Kreuz an.
7. Bringen Sie die Bündigschnitt-Abdeckung an und ziehen Sie die sieben Flachkopfschrauben an.

### **WARNUNG: Betreiben Sie das Gerät nicht ohne angebrachte Abdeckung.**

8. Sobald der Bündigschnitt abgeschlossen ist, bringen Sie die Säge sofort wieder in die Standard-Schnittkonfiguration.

### **HINWEIS: Es gibt einen Versatz von ungefähr 1 mm oder weniger (abhängig von der Dicke der Diamantsegmente).**

Da die Schutzhaube jedoch ein gewisses Maß an Flexibilität aufweist, wird durch leichtes Herunterdrücken vollständige Bündigkeit erreicht. Das eigentliche Schneiden erfolgt zu 100 % bündig. Es muss ein geringer Versatz vorhanden sein, damit die Scheibe in Fällen, in denen dies erforderlich ist, keine Kratzspuren im Material hinterlässt. Um Kratzspuren zu vermeiden, wenden Sie keinen Anpressdruck auf, und um 100 % bündig zu schneiden, wenden Sie etwas Anpressdruck auf.

### **WARNUNG: Arbeiten Sie immer mit angebrachter äußerer Schutzhaube, während Sie Standardschnitte ausführen. Betreiben Sie die Säge niemals mit abgebauter äußerer Schutzhaube, außer bei Bündigschnitten.**

**WARNUNG:** Überprüfen Sie regelmäßig den festen Sitz der Befestigungsschrauben und der Dornschraube.

**WARNUNG:** Wenn ungewöhnliche Vibrationen während des Betriebs auftreten, stoppen Sie die Säge sofort und suchen Sie die Ursache, bevor Sie fortfahren.

## ÜBERLASTSCHUTZ, ÜBERHITZUNGSSCHUTZ

### Überlast- und Last-Warnleuchte

Wenn der Motor mit Strom versorgt wird und innerhalb seines Lastbereichs läuft, leuchtet die Last-Warnleuchte grün. Wenn der Motor die Nähe seines Volllastbereichs erreicht, leuchtet die Last-Warnleuchte gelb. Wenn die Volllast zu lange überschritten wird, wird der Motor abgeschaltet und die Warnleuchte leuchtet durchgehend rot. In diesem Fall muss der Motor zuerst ausgeschaltet und dann neu gestartet werden.



**HINWEIS:** Wenn der Motor beim Drücken des Schalters nicht startet:

**A:** Wenn die Leuchte grün blinkt, deutet dies auf ein Problem mit dem Schalter hin.

**B:** Wenn die Leuchte kontinuierlich grün leuchtet, weist dies auf ein Problem mit dem Motor hin.

**HINWEIS:** Bei der Verwendung von 1-phasiger 16 A-Stromversorgung muss der Bediener sehr aufpassen, nicht zu viel Kraft zu verwenden. Die Last-Warnleuchte muss beobachtet werden, und es muss versucht werden, innerhalb des grünen Bereichs zu bleiben. Zu viel Last würde zu viel Strom ziehen und den Leistungsschalter auslösen.

### Überhitzungsschutz

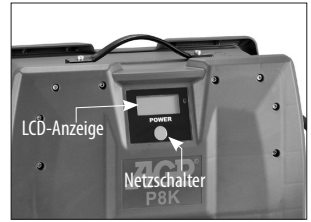
Wenn die Temperatur des Motors zu hoch wird, schaltet der Überhitzungsschutz den Motor ab. Der Schalter muss zuerst aus- und dann wieder eingeschaltet werden. Wenn dies passiert, beginnen Sie nicht sofort wieder mit dem Schneiden. Lassen Sie immer für einige Minuten Kühlwasser durch den Motor laufen, bis er wieder die normale Betriebstemperatur erreicht hat, bevor Sie mit der Arbeit fortfahren.

## EINRICHTUNG

- Verbinden Sie Wasserversorgung zwischen Umrichter und Motor mit dem Wasseranschlussschlauch.
- Schließen Sie den Umrichter an die Wasserversorgung an.
- Prüfen Sie die Verbindung auf Undichtigkeiten.
- Verbinden Sie das Motorverbindungskabel mit dem Umrichter.
- Schließen Sie den Umrichter an die Stromversorgung an.

## BEDIENUNG

- Wenn das Stromversorgungskabel des Umrichters angeschlossen ist, wird die Versorgungsspannung auf der LCD-Anzeige angezeigt.
- Drücken Sie die Betriebstaste am Umrichter, um den Motor mit Strom zu versorgen. Auf der LCD-Anzeige wird „ON“ angezeigt und die Last-Warnleuchte auf dem Motor leuchtet grün. Dies zeigt an, dass der Motor jetzt mit Strom versorgt wird, und mit seinem Druckschalter bedient werden kann.

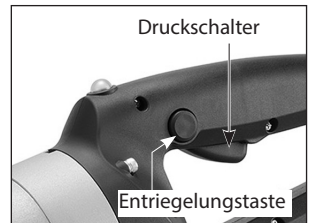


## DER SCHALTER

Um die Maschine zu starten, drücken Sie zuerst die Entriegelungstaste und dann den Druckschalter.

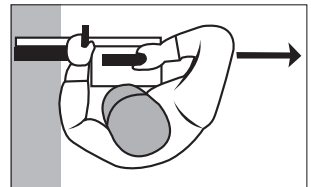
Um die Maschine zu stoppen, lassen Sie den Druckschalter los und drücken Sie dann die Betriebstaste am Umrichter, um die Maschine stromlos zu schalten.

**ACHTUNG: Halten Sie starke Magnetfelder vom Schalter und dem Bereich an der Rückseite des Motors fern, starke Magnetfelder könnten diese Teile des Werkzeugs beschädigen.**



## HALTEN DER MASCHINE

- Halten Sie die Maschine stets mit beiden Händen – mit der rechten Hand am Hauptgriff und mit der linken Hand am Seitengriff. (Dies gilt auch, wenn der Bediener Linkshänder ist.)
- Stehen Sie nicht direkt hinter der Scheibe. Stehen Sie vielmehr so, dass Sie sich bei einem Rückschlag nicht im Weg der Scheibe befinden.
- Beugen Sie sich niemals über den Schnittweg der Scheibe. Dadurch wäre Ihr Körper bei einem Rückschlag im Weg der Scheibe.
- Schneiden Sie nicht über Schulterhöhe.
- Schneiden Sie niemals, wenn Sie auf einer Leiter oder einer anderen instabilen Plattform stehen.

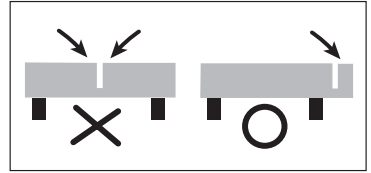


## VOR DEM SCHNEIDEN

- Überprüfen Sie die Umgebung, in der geschnitten werden soll, um sicherzustellen, dass sich dort keine Gegenstände befinden, die dazu führen könnten, dass der Bediener stolpert.
- Vor dem Schneiden, ist es manchmal nützlich, die Schnittlinie mit Kreide oder dergleichen zu markieren. Für gerade Schnitte kann ein Holzbrett zu Führung der Maschine nützlich sein.
- Stellen Sie sicher, dass alle umstehenden Personen sich in einem sicheren Abstand befinden.
- Stellen Sie sicher, dass alle Sicherheitsvorrichtungen vorhanden sind.

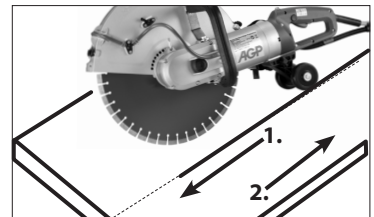
## DIE RICHTIGE STÜTZE DES WERKSTÜCKS

- Stützen Sie das Werkstück so ab, dass die Schnittfuge nicht nach unten auf die Scheibe drückt.
- Befestigen Sie das Werkstück, so dass es nicht aufgrund der Vibrationen beim Schneiden wegrollen oder verrutschen kann.
- Bei Ausschnitten ist die Schnittfolge wichtig. Führen Sie den letzten Schnitt immer so aus, dass die Scheibe nicht eingeklemmt wird. Führen Sie daher den unteren horizontalen Schnitt zuerst aus, dann die seitlichen Schnitte und schließlich den oberen horizontalen Schnitt.
- Beachten Sie sich das Gewicht des Werkstücks und die Richtung, in die es fallen wird, wenn es durchgeschnitten wird.
- Immer, wenn durch das Abtrennen des Werkstücks eine gefährliche Situation verursacht wird, lassen Sie einen Steg des Materials intakt und beenden Sie den Vorgang mit einem Meißel oder ähnlichem Werkzeug.



## SCHNEIDETECHNIK

- Halten Sie die Maschine mit beiden Händen fest, um dem Anfahrtdrehmoment widerstehen zu können, drücken Sie die Entriegelungstaste und dann den Druckschalter.
- Lassen Sie die Maschine die volle Geschwindigkeit erreichen, bevor Sie sie an das Werkstück ansetzen.
- Stellen Sie den Wasserfluss mit dem Wasserzufuhrventil ein.
- Beginnen Sie dann vorsichtig den Schnitt mit dem hinteren Teil der Scheibe, bis die Schnittfuge hergestellt ist. Führen Sie den ersten Schnitt nach vorn aus (so dass Sie die Schnittlinie sehen können). Danach führen Sie die weiteren Schnitte in rückwärtiger Richtung aus.
- Versuchen Sie nicht, in einem Durchlauf zu tief zu schneiden. Überschreiten Sie niemals 50 mm (2") pro Durchlauf.
- Es ist sinnvoll, zuerst eine flache Führungsnut zu schneiden, bevor Sie den Hauptschnitt ausführen. Wenn eine Korrektur erforderlich ist, heben Sie die Scheibe nach oben und schneiden Sie ein kleines Stück nach vorn und kehren Sie dann wieder zurück in die vorhandene Schnittfuge. Achten Sie darauf, dass die Scheibe nicht eingeklemmt wird.
- Bei runden Werkstücken ist es die beste Technik, eine langsame und gleichmäßige Hin- und Herbewegung auszuführen, während mit dem unteren Quadranten der Scheibe geschnitten wird.
- Lassen Sie die Maschine sich nicht festfahren. Begrenzen Sie Ihren Vorschubdruck, damit die Scheibe sich mit gleichbleibend hoher Geschwindigkeit dreht.
- Belasten Sie die Scheibe niemals seitlich in der Schnittfuge.



## STOPPEN

Lassen Sie den Schalter los, um die Maschine zu stoppen. Nachdem der Druckschalter losgelassen wurde, dreht sich die Scheibe noch für einige Zeit. Sobald die Maschine vollständig zum Stillstand gekommen ist, drücken Sie die Betriebstaste am Umrichter, um den Motor stromlos zu schalten.

**WARNUNG: Setzen Sie die Maschine nicht ab, solange sich die Scheibe noch dreht.**

## WARTUNG UND REINIGUNG

Diese Maschine wird in einer sehr rauen Umgebung betrieben.

Daher ist es wichtig, dass das Werkzeug nach jeder Benutzung gründlich gereinigt wird, um eine lange Lebensdauer zu erreichen.

### Tägliche Wartung

1. Halten Sie die Maschine sauber.
2. Überprüfen Sie den Zustand des Motorverbindungskabels, der Stromversorgungskabel und der Wasseranschlussschläuche.
3. Stellen Sie sicher, dass alle Schrauben fest angezogen sind.
4. Überprüfen Sie den Zustand aller Sicherheitsvorrichtungen wie z. B. die Schutzhaube.
5. Überprüfen Sie die Trennscheibe auf Beschädigungen.

Wenn der Austausch des Netzkabels erforderlich ist, hat dies durch den Hersteller oder dessen Vertreter zu erfolgen, um ein Sicherheitsrisiko zu vermeiden.

**WARNUNG: Alle Reparaturen müssen von einem autorisierten Service-Center ausgeführt werden. Inkorrekt durchgeführte Reparaturen können zu Verletzungen oder zum Tod führen.**

Elektrowerkzeuge nicht im Hausmüll entsorgen!

Gemäß der europäischen Richtlinie 2002/96/EG über Elektro- und Elektronik-Altgeräte und Umsetzung in nationales Recht müssen Elektrowerkzeuge separat gesammelt und umweltgerecht recycelt werden.

## UMRICHTER-LCD-ANZEIGECODES:

**AUS:** Wenn der Umrichter angeschlossen ist, wird auf der Anzeige die Versorgungsspannung angezeigt. Die angezeigte Spannung hängt von der Spannung der Stromversorgung ab.

**EIN:** Wenn die Betriebstaste des Umrichters gedrückt wird, wird auf der Anzeige „ON“ angezeigt. Das angeschlossene Werkzeug wird nun mit Strom versorgt.

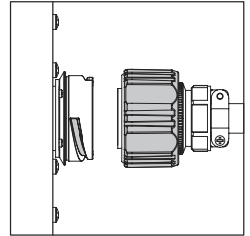
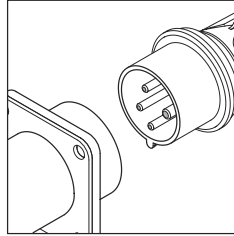
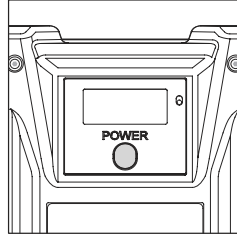
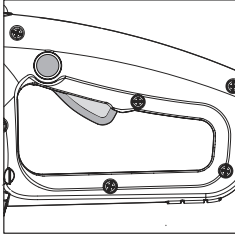
## HILFE BEI DER FEHLERSUCHE

**A:**  
Starten Sie das Werkzeug neu, indem Sie den Schalter AUS und dann wieder EIN schalten

**B:**  
Starten Sie den Umrichter neu, indem Sie die Netztaaste AUS und dann wieder EIN drücken

**C:**  
Stromversorgungskabel des Umrichters aus- und wieder einstecken

**D:**  
Ziehen Sie das Kupplungskabel ab und stecken Sie es wieder ein (zwischen Umrichter und Werkzeug)



## FEHLERCODES

Error Code	Beschreibung	Korrekturmaßnahmen	Weitere Erklärungen
<b>8888</b>	Verlust der Kommunikation zwischen der Motor-Elektronikplatine, der Umrichter-Elektronikplatine und dem LCD-Modul beim Einschalten	<b>D</b>	Überprüfen Sie den Anschluss des Verbindungskabels.
<b>E1</b>	Überlast des Umrichters	<b>A</b>	Schalten Sie den Schalter am Werkzeug AUS und dann wieder EIN.
<b>E2</b>	Überhitzen des Umrichters	<b>A</b>	Stellen Sie sicher, dass Kühlwasser durchfließt. Sobald die Temperatur wieder normal ist, schalten Sie den Schalter am Werkzeug AUS und dann wieder EIN.
<b>E3</b>	Unterspannung	<b>A</b>	Sobald die Versorgungsspannung wieder normal ist, schalten Sie den Schalter am Werkzeug AUS und dann wieder EIN.
<b>E4</b>	Überspannung	<b>A</b>	Sobald die Versorgungsspannung wieder normal ist, schalten Sie den Schalter am Werkzeug AUS und dann wieder EIN.
<b>E5</b>	Übermäßige Rücklaufspannung von der Motorbremse an den Umrichter	<b>B</b>	Drücken Sie am Umrichter die Betriebstaste, um das Gerät aus- und dann wieder einzuschalten. (Wenn das Problem weiterhin auftritt, bringen Sie das Gerät zu einem autorisierten Service Center zur Reparatur.)
<b>E6</b>	Fehlerstromschutzschalter-Kriechstrom zwischen Umrichter und Spannungsversorgung	<b>C</b>	Überprüfen Sie die Anschlüsse und ziehen Sie dann das Stromversorgungskabel ab und schließen Sie es wieder an, dann starten Sie den Konverter neu. (Wenn das Problem weiterhin besteht, bringen Sie das Gerät zur Reparatur in ein autorisiertes Service-Center)

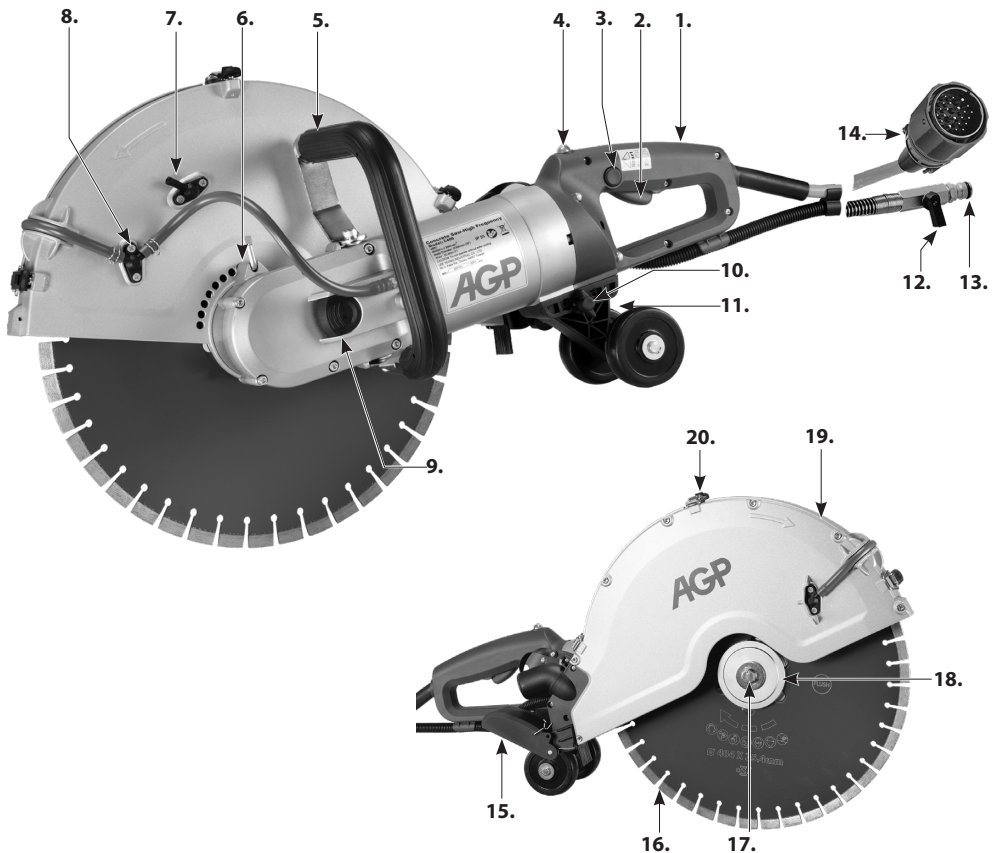
<b>E7</b>	Hall-Sensor-Fehler	<b>B</b>	Drücken Sie am Umrichter die Betriebstaste, um das Gerät aus- und dann wieder einzuschalten. (Wenn das Problem weiterhin auftritt, bringen Sie das Gerät zu einem autorisierten Service Center zur Reparatur.)
<b>E8</b>	Motor überhitzt	<b>A</b>	Stellen Sie sicher, dass Kühlwasser durchfließt und warten Sie für 20 Sekunden. Schalten Sie dann am Werkzeug den Schalter AUS und dann wieder EIN (wenn die Temperatur nach 20 Sekunden noch nicht weit genug zurückgegangen ist, warten Sie länger, bis die Temperatur bis zum zulässigen Bereich gesunken ist).
<b>E91</b>	Verlust der Kommunikation zwischen der Umrichter-Elektronikplatine und dem LCD-Modul während des Betriebs	<b>B</b>	Drücken Sie am Umrichter die Betriebstaste, um das Gerät aus- und dann wieder einzuschalten. (Wenn das Problem weiterhin auftritt, bringen Sie das Gerät zu einem autorisierten Service Center zur Reparatur.)
<b>E92</b>	Verlust der Kommunikation zwischen der Motor-Elektronikplatine und dem LCD-Modul während des Betriebs	<b>B</b>	Überprüfen Sie den Anschluss des Verbindungskabels. Versuchen Sie am Werkzeug, den Schalter auf AUS und dann wieder auf EIN zu schalten (wenn das Problem weiterhin auftritt, bringen Sie das Gerät zu einem autorisierten Service Center zur Reparatur.)
<b>E10</b>	Schlechte Verbindung des Spannungsversorgungskabel - 1-phasig	<b>C</b>	Prüfen Sie die Verbindungen der Stecker und Kabel.
<b>E11</b>	Spannungsverlust zwischen Umrichter und Werkzeug	<b>C</b>	Überprüfen Sie die Anschlüsse und schalten Sie am Umrichter den Betriebsschalter auf AUS und dann wieder auf EIN (wenn das Problem weiterhin auftritt, bringen Sie das Gerät zu einem autorisierten Service Center zur Reparatur.)
<b>E12</b>	Schlechte Verbindung des Spannungsversorgungskabel - 3-phasig	<b>C</b>	Prüfen Sie die Verbindungen der Stecker und Kabel.
<b>E15</b>	Internes Problem in der elektronischen Leiterplatte des Umrichters	<b>C</b>	Versuchen Sie am Umrichter, den Betriebsschalter auf AUS und dann wieder auf EIN zu schalten (wenn das Problem weiterhin auftritt, bringen Sie das Gerät zu einem autorisierten Service Center zur Reparatur.)
<b>E16</b>	Kein Signal vom Motortemperatursensor	<b>A</b>	Versuchen Sie am Werkzeug, den Schalter auf AUS und dann wieder auf EIN zu schalten (wenn das Problem weiterhin auftritt, bringen Sie das Gerät zu einem autorisierten Service Center zur Reparatur).
<b>E17</b>	Motortemperatursensor kurzgeschlossen	<b>A</b>	Versuchen Sie am Werkzeug, den Schalter auf AUS und dann wieder auf EIN zu schalten (wenn das Problem weiterhin auftritt, bringen Sie das Gerät zu einem autorisierten Service Center zur Reparatur).



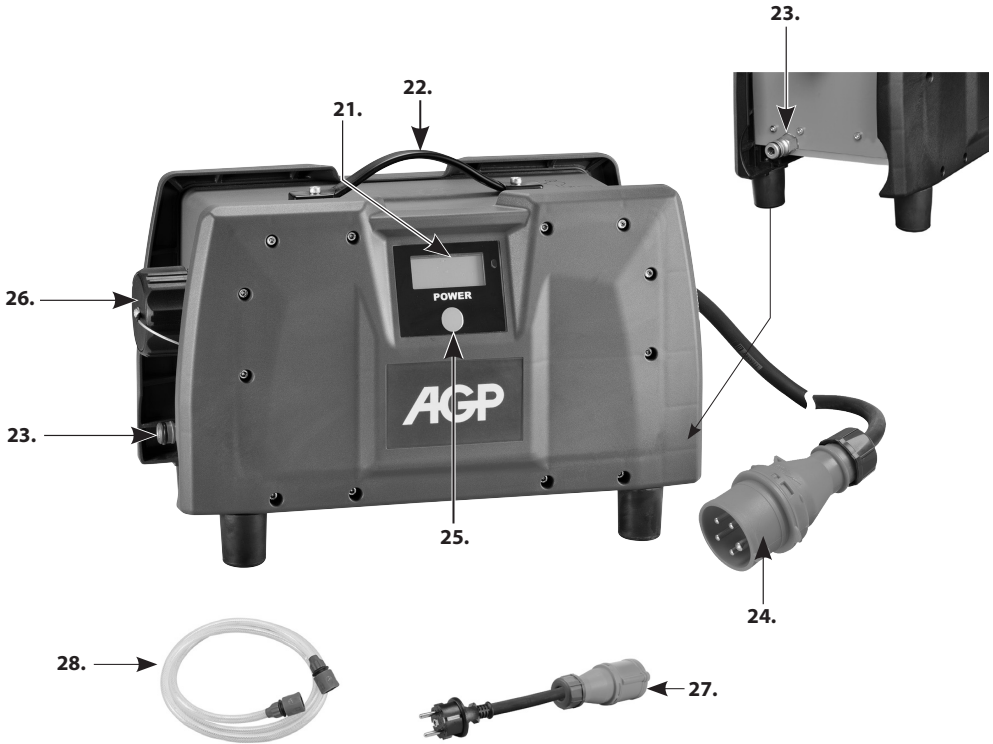
**CARACTÉRISTIQUES**

<b>Scie à béton haute fréquence</b>		<b>Convertisseur de puissance</b>
Puissance :		Entrée (maximum)
1Ø~ 200-240 V	5 500 W (32 A), 3 600W (16 A)	32 A
3Ø~ 220-240 V	5 500 W	25 A
3Ø~ 380-480 V	6 600 W	16 A
Rpm à vide	3 900 / Min	—
Vitesse linéaire avec une	82.9 m/s	—
Diamètre de lame	406 mm (16")	—
Mandrin	25.4 mm (1")	—
Min. Épaisseur du noyau de la lame	1,7 mm (0,067")	—
Max. Épaisseur du noyau de la lame	4,3 mm (0,169")	—
Profondeur de coupe maximale	150 mm (6")	—
Débit d'eau min. (25 °C)	—	3.5 L/min (1 gpm)
Pression hydraulique	—	7 bars (100 psi)
Dimensions (L x W x H)	780 x 260 x 300 mm	460 x 220 x 260 mm
Poids	10.5 kg (23.1 lb)	7.1kg (15.6 Lbs)

**Scie à béton haute fréquence**



## Convertisseur de puissance



- 1. Poignée principale
- 2. Commutateur à gâchette
- 3. Bouton de déblocage
- 4. Témoin lumineux de charge
- 5. Poignée latérale
- 6. Levier de verrouillage du carter de la lame
- 7. Buse d'alimentation secondaire
- 8. Buse d'alimentation en eau
- 9. Bouton de verrouillage de mandrin
- 10. Boulon papillon
- 11. Ensemble de rouleau de guidage
- 12. Soupape d'alimentation en eau
- 13. Raccord à eau
- 14. Câble d'accouplement du moteur

- 15. Carter de protection
- 16. Lame diamant
- 17. Boulon de mandrin
- 18. Bride extérieure
- 19. Carter de lame
- 20. Verrous de commutateur
- 21. Affichage LCD
- 22. Convertisseur de puissance
- 23. Arrivée/sortie d'eau
- 24. Câble d'alimentation
- 25. Bouton d'alimentation
- 26. Douille d'accouplement du moteur
- 27. Câble adaptateur monophasé (en option)
- 28. Flexible de raccord à eau

# RÈGLES GÉNÉRALES DE SÉCURITÉ



**AVERTISSEMENT !** Lisez toutes les consignes de sécurité et instructions. Le non-respect de ces consignes et instructions peut entraîner une électrocution, un incendie et/ou des blessures graves.

**Conservez toutes les consignes et instructions en vue d'une utilisation ultérieure.**

Le terme « outil électrique » figurant dans les consignes se réfère à votre outil électrique (à fil) branché sur secteur ou alimenté par pile (sans fil).

## 1. SÉCURITÉ DE LA ZONE DE TRAVAIL

- a. **Gardez la zone de travail propre et bien éclairée.** Les zones encombrées et sombres sont propices aux accidents.
- b. **N'utilisez pas les outils électriques dans des environnements explosifs, en présence de liquide inflammable, de gaz ou de poussière à titre d'exemple.** Les outils électriques produisent des étincelles susceptibles d'enflammer la poussière ou les vapeurs.
- c. **Tenez les enfants et les passants à distance pendant l'utilisation d'un outil électrique.** Toute distraction peut vous faire perdre le contrôle.
- d. **Ne laissez jamais l'outil électrique sans surveillance.** Attendez l'arrêt complet de l'outil utilisé avant de vous éloigner de la machine.

## 2. SÉCURITÉ ÉLECTRIQUE

- a. **Les fiches d'outils électriques doivent être adaptées à la sortie. Ne modifiez jamais la fiche d'aucune façon. N'utilisez aucun adaptateur avec des outils électriques mis à la masse.** Des fiches intactes utilisées avec les sorties adéquates réduisent le risque d'électrocution.
- b. **Évitez tout contact physique avec des surfaces mises à la masse, notamment les conduites, radiateurs, cuisinières et réfrigérateurs.** Le risque d'électrocution est accru lorsque votre corps est relié à la terre.
- c. **N'exposez pas les outils électriques à la pluie ou l'humidité.** Toute infiltration d'eau dans un outil électrique augmente le risque d'électrocution.
- d. **Ne malmez pas le cordon. N'utilisez jamais le cordon pour porter, tirer ou débrancher l'outil électrique. Gardez le cordon à l'abri de la chaleur, de l'huile et des pièces mobiles ou à bords aiguisés.** Des cordons endommagés ou enchevêtrés augmentent le risque d'électrocution.
- e. **Lors de l'utilisation d'un outil électrique en plein air, servez-vous d'une rallonge adaptée à des travaux en extérieur.** L'utilisation d'une rallonge adaptée à des travaux en extérieur réduit le risque d'électrocution.
- f. **Si vous devez faire fonctionner un outil électrique dans un environnement humide, utilisez une alimentation protégée par un dispositif différentiel résiduel (DDR).** L'utilisation d'un DDR réduit le risque d'électrocution.

### 3. SÉCURITÉ PERSONNELLE

- a. **Restez vigilant, concentrez-vous sur votre travail et faites appel au bon sens lors de l'utilisation d'un outil électrique. N'utilisez pas un outil électrique dans un état de fatigue ou sous l'emprise de stupéfiants, de l'alcool ou de médicaments.** Tout moment d'inattention pendant l'utilisation d'outils électriques peut entraîner des blessures graves.
- b. **Portez un équipement de protection individuelle. Portez en permanence une protection oculaire.** L'équipement de protection tel que le masque anti-poussière, les chaussures de sécurité à semelles antidérapantes, le casque de sécurité ou la protection auditive utilisé dans un environnement approprié réduit le risque de blessures.
- c. **Évitez les démarrages accidentels. Veillez à ce que le commutateur soit positionné sur « Arrêt » avant de brancher la source d'alimentation et/ou la batterie ainsi que de prendre ou transporter l'outil.** Transporter des outils électriques avec le doigt sur le commutateur ou mettre sous tension des outils électriques lorsque le commutateur est positionné sur « Marche » favorise les accidents.
- d. **Déposez les clés de réglage avant de mettre l'outil électrique en marche.** Une clé restée fixée à une pièce en rotation de l'outil électrique peut entraîner des blessures.
- e. **Ne vous penchez pas trop en avant. Restez toujours bien campé et en équilibre.** Ainsi, vous contrôlerez mieux l'outil électrique dans des situations imprévues.
- f. **Habilitez-vous convenablement. Ne portez pas des vêtements amples ou des bijoux. Gardez vos cheveux et vêtements à l'écart des pièces mobiles.** Les vêtements amples, bijoux et cheveux longs peuvent se prendre dans des pièces mobiles.
- g. **Si des dispositifs sont fournis pour le branchement des infrastructures d'extraction et de collecte de poussière, veillez à ce qu'ils soient correctement branchés et utilisés.** Collecter la poussière peut réduire les risques qui y sont associés.
- h. **La familiarité acquise grâce à l'utilisation fréquente des outils ne doit pas vous rendre complaisant ou vous pousser à négliger les principes de sécurité relatifs à l'outil.** Une action inconsidérée peut entraîner des blessures graves en une fraction de seconde.

### 4. UTILISATION ET ENTRETIEN DES OUTILS ÉLECTRIQUES

- a. **Ne forcez pas l'outil électrique. Utilisez l'outil électrique adapté à votre travail.** L'outil électrique adéquat fonctionne mieux et de façon plus sûre à la vitesse pour laquelle il a été conçu.
- b. **N'utilisez pas l'outil électrique si le commutateur ne le met pas en marche et arrêt.** Tout outil électrique impossible à commander au moyen du commutateur est dangereux et doit être réparé.
- c. **Débranchez la fiche de la source d'alimentation et/ou la batterie de l'outil électrique avant de procéder à tout réglage, changement d'accessoires ou rangement de l'outil électrique.** Ces mesures de sécurité préventives réduisent le risque de démarrage accidentel de l'outil électrique.
- d. **Rangez les outils électriques à l'arrêt hors de portée des enfants et empêchez toute personne non familiarisée avec l'outil électrique ou les présentes instructions d'utiliser cet outil.** Les outils électriques sont dangereux entre les mains d'utilisateurs inexpérimentés.
- e. **Entretenez les outils électriques et accessoires. Vérifiez le bon alignement ou les liaisons des pièces mobiles, l'absence de pièces cassées et tout autre problème susceptible de nuire au bon fonctionnement de l'outil électrique.** En cas de dommage, faites réparer l'outil électrique avant de l'utiliser. De nombreux accidents sont causés par un mauvais entretien des outils électriques.


- f. **Gardez les outils de coupe tranchants et propres.** Les outils de coupe aux bords tranchants correctement entretenus sont moins susceptibles de se coincer et plus faciles à manier.
- g. **Utilisez l'outil électrique, les accessoires et couronnes, etc. conformément aux présentes instructions, tout en tenant compte des conditions de travail et de la tâche à exécuter.** L'utilisation de l'outil électrique à des fins autres que celles pour lesquelles il est conçu peut engendrer des situations dangereuses.
- h. **Gardez les poignées et surfaces de prise sèches, propres et exemptes d'huile et de graisse.** Les poignées glissantes rendent difficiles le maniement et le contrôle de l'outil dans des situations imprévues.


## 5. ENTRETIEN


**Faites appel à un réparateur qualifié pour l'entretien de votre outil électrique uniquement à l'aide de pièces de rechange identiques.** Vous préserverez ainsi la sécurité de l'outil électrique.


### Symboles utilisés dans ce manuel


- V.....volts
- A.....ampères
- Hz.....hertz
- W.....watt
- ~.....courant alternatif
- n.....vitesse nominale
- min<sup>-1</sup>.....révolutions ou alternance par minute
- 1∅.....courant monophasé
- 3∅.....courant triphasé


.....avec mise à la terre électrique


.....avertissement de danger général


.....lisez ces instructions


.....portez en permanence une protection oculaire

..... portez en permanence un masque anti-poussière.

.....portez toujours une protection auditive

.....portez un casque de sécurité agréé

.....DANGER ! Tenez vos mains à l'écart de la zone de coupe et la lame.

 ne jetez pas les outils électriques, accessoires et emballages avec les déchets ménagers

.....Utilisez toujours avec de l'eau de refroidissement

## Consignes de sécurité relatives aux tronçonneuses

- **Le carter fourni avec l'outil doit être solidement fixé à l'outil électrique et positionné de sorte à fournir une sécurité maximale et qu'une surface minimale de meule soit dirigée vers l'utilisateur. Tenez-vous ainsi que les passants à distance du plan de la meule en rotation.** Le carter protège l'utilisateur contre les fragments de meule brisée et les contacts accidentels avec cette dernière.
- **Utilisez uniquement des meules de tronçonnage diamantées avec votre outil électrique.** Le fait qu'un accessoire soit rattachable à votre outil électrique ne garantit pas un fonctionnement sûr.
- **La vitesse nominale de l'accessoire doit être au moins égale à la vitesse maximale indiquée sur l'outil électrique.** Les accessoires dont la vitesse est supérieure à leur vitesse nominale peuvent se briser et voler en éclats.
- **Les meules s'utilisent uniquement pour les travaux recommandés. À titre d'exemple, évitez de meuler avec le côté de la meule de tronçonnage.** Les meules de tronçonnage abrasives sont conçues pour le meulage périphérique, et les forces latérales appliquées à ces meules peuvent les briser.
- **Utilisez toujours des brides de meule intactes au diamètre adéquat pour votre meule.** Les brides de meule adéquates la soutiennent et se brisent moins facilement.
- **N'utilisez pas des meules renforcées usées provenant d'outils électriques plus grands.** Les meules conçues pour des outils électriques plus grands ne sont pas adaptées aux vitesses plus élevées des petits outils et peuvent éclater.
- **Le diamètre extérieur ainsi que l'épaisseur de votre accessoire doivent correspondre à la capacité de votre outil électrique.** Des accessoires aux dimensions inappropriées sont impossibles à protéger ou contrôler convenablement.
- **Les dimensions du mandrin des meules et des brides doivent être adaptées à la broche de l'outil électrique.** Les meules et brides avec de trous de mandrin non adaptés au matériel de montage de l'outil électrique seront déséquilibrés, vibreront excessivement et seront susceptibles de causer une perte de contrôle.
- **N'utilisez pas des meules endommagées. Avant chaque utilisation, vérifiez l'absence d'éclats et de fissures sur les meules. En cas de chute de l'outil électrique ou la meule, vérifiez l'absence de dommages ou montez une meule intacte. Après inspection et montage de la meule, tenez-vous ainsi que les passants à distance du plan de la meule en rotation, puis faites fonctionner l'outil électrique à la vitesse maximale à vide pendant une minute.** Les meules endommagées se brisent généralement pendant cet essai.
- **Portez un équipement de protection individuelle. Portez un écran facial ou des lunettes de sécurité selon le travail. Selon le cas, portez un masque anti-poussière, des protections auditives, des gants et un tablier d'atelier capable d'arrêter les petits fragments abrasifs ou de pièce à usiner.** La protection oculaire doit pouvoir arrêter les débris volants produits au cours des divers travaux. Le masque anti-poussière doit être en mesure de filtrer les particules produites pendant vos travaux. L'exposition prolongée à des bruits de forte intensité peut causer une perte auditive.
- **Tenez les passants à une distance suffisante de la zone de travail. Toute personne pénétrant dans la zone de travail doit porter un équipement de protection individuelle.** Les fragments de pièce à usiner ou d'accessoire brisé peuvent voler et causer des blessures au-delà de la zone immédiate de travail.
- **Tenez l'outil électrique uniquement par les surfaces de prise isolées lors des travaux au cours desquels l'accessoire de coupe est susceptible d'entrer en contact avec un câblage dissimulé ou son propre cordon.** Tout accessoire de coupe entrant en contact avec un fil « conducteur » peut mettre les pièces métalliques exposées de l'outil électrique « sous tension » et électrocuter l'utilisateur.

- **Éloignez le cordon de l'accessoire en rotation.** En cas de perte de contrôle, le cordon peut se couper ou s'accrocher et votre main ou bras peut être pris dans la meule en rotation.
- **Ne déposez jamais l'outil électrique avant l'arrêt complet de l'accessoire.** La meule en rotation peut saisir la surface et faire échapper l'outil électrique à votre contrôle.
- **Ne maniez pas l'outil électrique pendant son transport.** Tout contact accidentel avec l'accessoire en rotation pourrait accrocher votre vêtement et entraîner l'accessoire vers votre corps.
- **Nettoyez régulièrement les événements de l'outil électrique.** Le ventilateur du moteur aspire la poussière à l'intérieur du boîtier, et toute accumulation excessive de poudre métallique peut entraîner des dangers électriques.
- **Ne maniez pas l'outil électrique à proximité de matières inflammables.** Des étincelles pourraient enflammer ces matières.

## REBOND ET AVERTISSEMENTS CONNEXES

- **Le rebond est une réaction soudaine à un disque rotatif qui s'est coincé ou bloqué.** Lorsque le disque rotatif est bloqué ou coincé, il se bloque rapidement, ce qui entraîne le blocage de l'outil électrique sans contrôle, l'outil électrique est poussé dans la direction opposée à la direction dans laquelle le disque tournait au moment où il s'est coincé. Si un disque de découpe se coince ou se bloque sur la pièce, le bord du disque peut se pincer dans la surface du matériau, catapultant le disque vers l'extérieur. Le disque peut se rapprocher ou s'éloigner de l'opérateur, selon le mouvement du disque au moment du blocage. Les disques de découpe peuvent également se briser dans ces conditions. Le rebond est le résultat d'une utilisation incorrecte de l'outil électrique et/ou de procédures ou conditions de travail inappropriées, et peut être évité en prenant les précautions appropriées énumérées ci-dessous.
- **Saisissez fermement l'outil électrique et placez votre corps ainsi que votre bras de sorte à résister aux forces de rebonds. Utilisez toujours la poignée supplémentaire, le cas échéant, pour un contrôle maximum du rebond ou du couple de réaction lors du démarrage.** L'utilisateur peut contrôler les couples de réaction ou les forces de rebonds en prenant des précautions suffisantes.
- **Ne placez jamais votre main à proximité de l'accessoire en rotation.** L'accessoire peut rebondir sur votre main.
- **Ne vous tenez pas en ligne avec la meule en rotation.** Le rebond propulsera l'outil dans le sens opposé au déplacement de la meule au point d'accrochage.
- **Soyez particulièrement prudent lorsque vous travaillez les coins, bords coupants, etc. Évitez de faire rebondir et d'accrocher l'accessoire.** Les coins, bords coupants ou rebondissements sont susceptibles d'accrocher l'accessoire en rotation et d'entraîner une perte de contrôle ou un rebond.
- **Ne fixez pas une chaîne de sciage, lame de sculpture sur bois ou meule diamantée segmentée dont l'espace périphérique est supérieur à 10 mm ou une lame de scie dentée.** Ces lames provoquent souvent des rebonds ainsi qu'une perte de contrôle.
- **Ne « coinciez » pas la meule de tronçonnage et n'exercez pas une pression trop forte. Ne coupez pas trop profondément.** Les contraintes excessives exercées sur la meule augmentent la charge ainsi que le risque de torsion et de liaison de la meule dans la coupe, de même que la possibilité de rebond ou de bris de meule.
- **Lorsque la meule s'accroche ou en cas d'interruption d'une coupe pour une raison quelconque, arrêtez l'outil électrique et maintenez-le immobile jusqu'à l'arrêt complet de la meule. N'essayez**

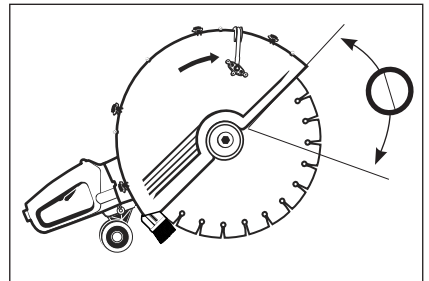
**jamais de retirer la meule de tronçonnage de la coupe tandis que ladite meule est encore en mouvement, au risque de provoquer un rebond.** Procédez à un examen, puis prenez des mesures correctives pour éliminer la cause de l'accrochage de la meule.

- **Ne poursuivez pas le travail de coupe dans la pièce à usiner. Laissez la meule atteindre la vitesse maximale, puis réinsérez-la précautionneusement dans la coupe.** La meule peut s'accrocher, se diriger vers le haut ou rebondir en cas de redémarrage de l'outil électrique dans la pièce à usiner.
- **Soutenez les panneaux et les pièces à usiner surdimensionnées pour minimiser le risque de coincement ou de rebond de la meule.** Les pièces à usiner de grande taille ont tendance à s'affaisser sous leur propre poids. Les supports doivent être placés sous la pièce à usiner située à proximité de la ligne de coupe et du bord de la pièce en question, des deux côtés de la meule.
- **Redoublez de prudence lorsque vous réalisez des « cavités » dans des parois ou d'autres zones de visibilité nulle.** La meule saillante peut couper des conduites de gaz ou d'eau, le câblage électrique ou des objets susceptibles de provoquer un rebond.

## CONSIGNES DE SÉCURITÉ RELATIVES AUX TRONÇONNEUSES : RÈGLES DE SÉCURITÉ SUPPLÉMENTAIRES

**AVERTISSEMENT : Évitez de réaliser des coupes dans le quadrant supérieur de la lame, notamment au début de la coupe. Cette zone risque fort de provoquer un rebond.**

**AVERTISSEMENT : Lorsque vous coupez du plastique, ne le laissez pas fondre. Autrement, il peut adhérer à la lame et causer un rebond.**



## RACCORDEMENT ÉLECTRIQUE

La tension du réseau doit être conforme à la tension indiquée sur la plaque signalétique du fabricant de l'outil. En aucun cas, l'outil ne doit être utilisé si le câble d'alimentation électrique est endommagé. Un câble endommagé doit être remplacé immédiatement par un centre de service à la clientèle autorisé. N'essayez pas de réparer le câble endommagé vous-même. L'utilisation de câbles d'alimentation endommagés peut être à l'origine d'une électrocution.

**AVERTISSEMENT : Cet outil doit toujours être mis à la terre. Si la prise de courant (réceptacle) ne dispose pas d'une connexion à la terre, la fiche d'alimentation doit être mise à la terre séparément. L'utilisation sans mise à la terre augmente le risque de choc électrique, de blessures graves et/ou de décès.**

**AVERTISSEMENT : N'utilisez jamais une machine endommagée. Signalez toujours une machine endommagée et mettez-la hors service jusqu'à ce que les réparations soient effectuées.**

La liaison entre le convertisseur de puissance et le moteur s'effectue au moyen d'un câble spécial d'accouplement du moteur. Pour ce faire, dévissez le chapeau, alignez les languettes, poussez et vissez le collier. Veillez à ne pas courber les broches. Laissez le chapeau dessus lorsque vous ne l'utilisez pas. Ne modifiez cette fiche d'aucune façon.



## ALIMENTATION TRIPHASÉE

L'idéal serait que le convertisseur de puissance soit alimenté par un courant triphasé de 380 V à 480 V pour un rendement maximum. Si la fiche n'est pas adaptée pas à la sortie disponible, une fiche appropriée peut être montée par un électricien qualifié.

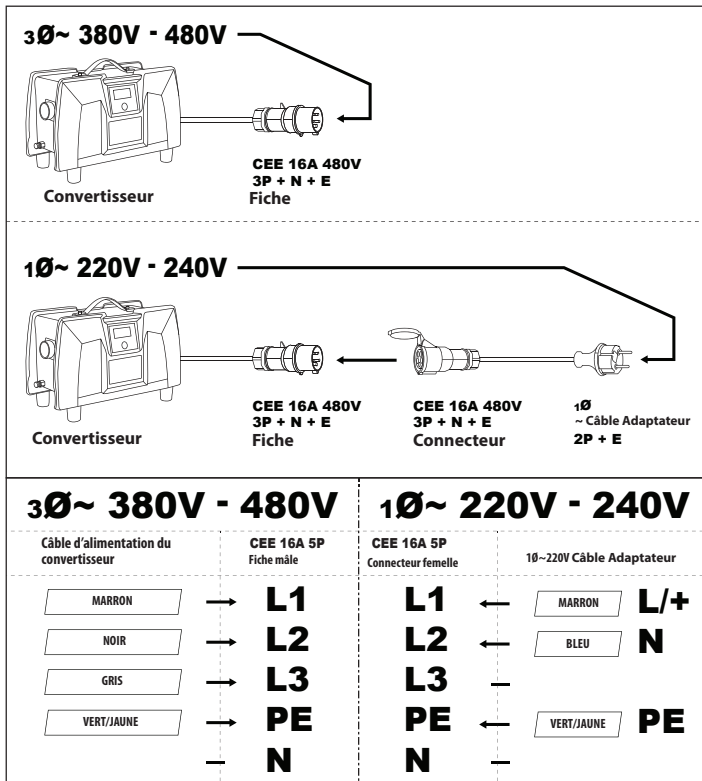
## ALIMENTATION MONOPHASÉE

En cas d'absence d'une alimentation triphasée, la présente machine peut également fonctionner avec une alimentation monophasée de 220 V à 240 V, avec une légère réduction de puissance. Utilisez le câble adaptateur monophasé. L'utilisation du câble adaptateur monophasé limite le courant à 16 A.

Si plus de puissance est nécessaire, lorsqu'un courant de 32 A ou un disjoncteur plus important est disponible, il est possible de déposer la fiche principale et de raccorder directement le câble d'alimentation principale du convertisseur au disjoncteur. Dans ce cas, raccordez les câbles L1 et L2 au disjoncteur et laissez le câble L3 tel quel. Ensuite, raccordez le câble de terre à la prise de terre.

**REMARQUE : L'action susmentionnée doit être exécutée uniquement par un électricien qualifié.**

## CONNECTEURS D'ALIMENTATION : TRIPHASÉ ET MONOPHASÉ



## INTRODUCTION

Cette machine est un outil électrique spécial équipé d'un PMSM (moteur à haute fréquence, moteur synchrone à aimants permanents) qui doit être utilisé avec le convertisseur de tension correspondant pour alimenter l'outil. Ce convertisseur prend une alimentation monophasée ou triphasée de 220 à 480 V, 50 Hz ou 60 Hz, et la convertit à un maximum de 600 Hz. Le convertisseur est équipé d'une fiche pour une alimentation triphasée et d'une fiche pour une alimentation monophasée. La performance maximale est obtenue en utilisant une alimentation triphasée de 380 V à 480 V. La performance est réduite en utilisant une alimentation triphasée ou monophasée de 220 V à 240 V en raison du courant électrique plus limité.

La présente machine est équipée de deux poignées et d'un carter de protection de la lame. Elle comprend un système d'alimentation en eau intégré pour le refroidissement et la coupe au diamant. Le convertisseur de puissance est équipé d'un dispositif différentiel résiduel (DDR) intégré pour la sécurité électrique ainsi que la protection contre les surcharges, les sous-tensions et les surtensions de même que la protection thermique. Utilisez-la uniquement avec une lame diamant. Elle est conçue pour couper des ouvrages de maçonnerie, la pierre, le béton, le béton armé et des matériaux similaires. Toutes les autres utilisations sont interdites.

## TABLE DES MATIÈRES

- Scie à béton
- Convertisseur de puissance
- Flexible de raccord à eau
- Câble adaptateur monophasé
- Ensemble de rouleau de guidage
- Clé mixte M17
- Carter de protection
- Kit de coupe à ras

## ASSEMBLAGE

- Montez la lame. (Voir section « Montage de lame » ci-dessous)
- Montez l'ensemble de rouleau de guidage comme souhaité (voir section « Ensemble de rouleau de guidage » ci-dessous)
- Montez le carter de protection (voir section « Carter de protection » ci-dessous pour des instructions de montage)

## LAMES DIAMANT

### TYPES DE LAMES AUTORISÉES

Cette machine utilise uniquement des lames diamant

- Utilisez uniquement des lames diamant segmentées ou à bord continu.
- Si les lames diamant sont segmentées, l'espace périphérique maximum admissible entre les segments est de 10 mm et doit comporter un angle de coupe négatif.
- Utilisez uniquement des lames diamant d'une longueur maximale de 457 mm (18 po).
- L'épaisseur de la lame doit être d'au moins 2,4 mm (0,095") et ne pas dépasser 6,35 mm (0,250").
- L'épaisseur du noyau de la lame doit être d'au moins 1,7 mm (0,067") et ne doit pas dépasser 4,3 mm (0,169").

### RANGEMENT ET TRANSPORT DE LAME

Évitez de ranger ou transporter la machine avec la lame montée. Déposez la lame, puis rangez-la de sorte à la protéger contre les courbements ou dommages lorsque la machine n'est pas utilisée pour éviter d'endommager la lame.

Une lame endommagée peut créer des conditions anormales susceptibles de provoquer un déséquilibre présentant un danger. Vérifiez toujours l'absence de dommages dus au rangement et au transport sur les nouvelles lames.

### À PROPOS DES LAMES DIAMANT

Les lames diamant comportent un noyau en acier avec des segments diamantés ajoutés à la périphérie.

Les lames diamant sont conçues pour différents degrés de dureté de matériaux de maçonnerie, pierre, béton, béton armé, etc.

Certaines lames diamant sont conçues pour être utilisées uniquement mouillées, tandis que d'autres peuvent être utilisées sèches. La présente machine doit toujours être utilisée avec de l'eau, vu qu'elle en a besoin pour refroidir le convertisseur et le moteur. En général, même si la lame est décrite comme étant de type sec, les outils diamant fonctionnent toujours mieux lorsqu'ils sont mouillés : l'eau évite les surchauffes de la lame et réduit considérablement la quantité de poussière nocive produite lors de la coupe, retire la boue de la coupe et prolonge la durée de vie de la lame.

Les segments diamantés fonctionnent selon un principe d'érosion contrôlée. La matrice de rétention des diamants s'use continuellement du fait du frottement sur la pièce à usiner, ce qui expose les diamants les plus durs qui dépassent alors de la matrice de liaison. Les lames conçues pour couper des matériaux plus durs sont dotées d'une liaison plus souple permettant aux diamants d'exécuter des projections plus agressives (mais durent moins longtemps). Les lames conçues pour couper des matériaux abrasifs plus souples sont dotées d'une liaison plus dure qui leur permet de résister à l'abrasivité du matériau et de durer plus longtemps. En cas d'érosion insuffisante de la matrice de liaison (diamants non exposés), la lame s'émousse. C'est ce que l'on appelle polissage. Si la lame semble ne plus pouvoir couper, elle est polie.

Voir ci-dessous : « **Affûtage d'une lame polie** »

N'effectuez jamais de mouvements cinglants au risque d'endommager la lame. À l'inverse, n'effectuez pas de mouvements trop doux au risque de polir les segments diamant. Laissez la lame fonctionner sans interruption. Veillez particulièrement à tenir la lame perpendiculairement à la strie. Si la lame est tordue, elle s'accrochera

facilement. Lors de la coupe de béton armé, si vous rencontrez une armature en acier, soyez particulièrement prudent. Réduisez la pression d'avance d'environ 1/3, puis laissez la lame imposer son rythme : des vibrations excessives peuvent détruire la lame. Une fois l'acier traversé, poursuivez normalement.

**REMARQUE : N'utilisez jamais une lame diamant de type mouillé sans eau. Elle surchaufferait et se détruirait.**

Montez toujours la lame en respectant le sens de rotation indiquée par la flèche située sur la machine (une flèche de direction est marquée sur le carter de la lame).

**AVERTISSEMENT : N'utilisez jamais les lames pour couper un matériau autre que celui pour lequel elles ont été conçues.**

## AFFÛTAGE D'UNE LAME POLIE

Les lames diamant peuvent se polir (s'émausser). Une fois les segments diamant polis, la performance de coupe de la lame diminue et les segments surchauffent. Pour affûter de nouveau la lame, réduisez l'alimentation en eau et pratiquez quelques entailles dans un matériau très doux tel qu'une brique ou de l'oxyde d'alumine ou encore une pierre d'affinage en carbure de silicium.

## MONTAGE DE LA LAME

Vérifiez d'abord que la machine est débranchée.

Ensuite, à l'aide de la clé mixte de 17 mm, enclenchez le boulon de mandrin, puis faites tourner le mandrin tout en appuyant sur son verrou. Lorsque le mandrin atteint la position adéquate, son verrou s'enclenche. Le boulon du mandrin peut alors être desserré et, la bride extérieure lisse, déposée.

La bride intérieure de cette machine mesure 1 po (25,4 mm). Vérifiez la bride intérieure pour vous assurer que sa taille correspond à l'alésage de la lame.

Inspectez la lame avant utilisation. Elle ne doit être fissurée, déformée ou endommagée d'aucune façon susceptible de présenter un danger pendant l'utilisation. Les segments diamants desserrés peuvent être éjectés à haute vitesse et causer des blessures. Vérifiez toujours que des segments diamant ne se trouvent pas sous la coupe. Si ces derniers sont plus minces ou quasiment aussi minces que le noyau de la lame, la strie est trop hermétique et peut facilement causer un rebond.

Assurez-vous que les brides ainsi que l'alésage de la lame sont propres et intacts, et que l'ensemble s'ajuste correctement. N'utilisez pas des brides déformées, sales, ou dont la surface est inégale ou ébarbée. Le boulon de même que

les filetages de mandrin doivent être intacts. Vérifiez l'absence de dommages sur les segments des lames, le trou de mandrin ou tout autre dommage susceptible de présenter un danger au cours de l'utilisation.

Le bord saillant de la bride intérieure doit être face à la lame. Montez à présent la lame sur la bride intérieure et ajoutez la bride extérieure. Ajoutez le boulon de mandrin et serrez à un couple de 15-25 Nm.

**AVERTISSEMENT : N'essayez pas de monter une lame non adaptée au matériel de montage. Il en résulterait un fonctionnement excentrique et des vibrations incontrôlables.**

## RÉGLAGE DU CARTER DE LAME

La lame vue à partir de l'extrémité du mandrin tourne dans le sens horaire. Par conséquent, la majeure partie des débris de coupe, des étincelles et de la boue sont projetés vers l'arrière. Le carter de la lame doit donc être réglé de sorte que le bord arrière affleure la pièce à usiner.

## RÉGLAGE

Commencez par tirer sur le levier de verrouillage contre le ressort, puis faites tourner le carter de la lame jusqu'à la position souhaitée. Laissez le levier de verrouillage s'insérer dans la fente la plus proche du carter pour se verrouiller en place.



## CARTER DE PROTECTION

Le carter de protection à ressort retient la boue projetée vers l'arrière. Pour l'installer, fixez simplement la partie arrière du carter de la lame. Pour le déposer, inclinez vers le haut pour le libérer.

Lorsque le carter de protection est inutile, lors de l'exécution d'une coupe à sec par exemple, il est possible de le fixer vers le haut, hors du passage. Insérez simplement le clip mâle sur l'abattant dans la patte femelle de l'ensemble. Déclipsez pour relâcher.

## RACCORD D'EAU

L'eau est essentielle au présent outil, notamment en ce qui concerne le refroidissement du moteur et du convertisseur. L'eau sert également de liquide de refroidissement qui empêche la surface de travail des segments diamant de surchauffer. L'eau réduit également de niveau de poussière et élimine les particules abrasives. Le convertisseur comporte 2 raccords d'eau. Raccordez l'alimentation en eau à n'importe lequel des raccords situés sur le convertisseur, puis reliez l'autre raccord au moteur grâce au flexible de raccord à eau.



**ATTENTION : N'UTILISEZ JAMAIS LE PRÉSENT OUTIL SI DE L'EAU NE CIRCULE PAS À LA FOIS DANS LE CONVERTISSEUR ET LE MOTEUR.**

**ATTENTION : EN CAS D'UTILISATION DANS DES CONDITIONS DE GEL, VEILLES TOUJOURS À PURGER COMPLÈTEMENT L'EAU DU MOTEUR ET DU CONVERTISSEUR APRÈS UTILISATION. Toute eau laissée à l'intérieur de la machine causerait des dommages importants !**

Il est conçu pour être refroidi à l'eau et surchauffe rapidement en l'absence d'eau.

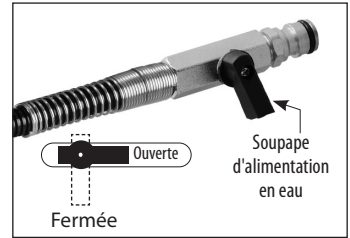
**AVERTISSEMENT : Vérifiez l'absence de fuites sur tous les raccords du système d'alimentation en eau. Inspectez les tuyaux et autres pièces essentielles susceptibles de se détériorer.**

**AVERTISSEMENT : La pression hydraulique maximale ne doit pas dépasser 70 psi (4 bars).**

Utilisez une bague collectrice avec un aspirateur d'humidité pour recueillir l'eau de refroidissement et éviter qu'elle n'endommage des objets avoisinants.

Le système d'alimentation en eau est intégré à la machine. Pour le raccorder à l'alimentation en eau, tirez d'abord sur le collier rapide pour déposer le raccord femelle du flexible d'eau. Ensuite, fixez de nouveau le raccord à eau à la soupape mâle d'alimentation en eau. Appuyez dessus jusqu'à ce que vous entendiez un dé clic.

Le débit d'eau est contrôlé par la soupape d'alimentation en eau. Il est possible de régler l'alimentation en eau de la lame sur la quantité précisément requise.



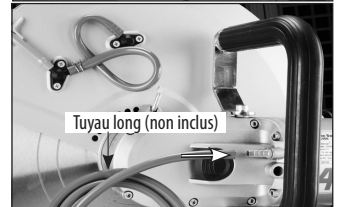
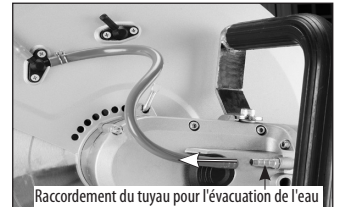
**REMARQUE : Les contaminants présents dans l'alimentation en eau peuvent facilement boucher les buses d'injection d'eau fine dans le carter de la lame. Assurez-vous que l'alimentation en eau est propre. Si l'eau ne circule pas vers la lame, alors nettoyez le système d'alimentation en eau de la machine au moyen d'air comprimé.**

## SCIAGE À SEC

Lors du sciage à sec, l'eau de refroidissement doit toujours circuler dans le convertisseur et le moteur.

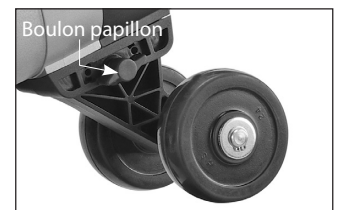
Débranchez le tuyau d'eau d'origine du raccord sur le moteur et raccordez un long tuyau d'eau (non fourni) à ce raccord.

Ce tuyau d'eau plus long peut alors dévier l'eau de refroidissement qui s'écoule vers un drain ou un bassin de récupération, un seau, etc.



## ENSEMBLE DE ROULEAU DE GUIDAGE

Les rouleaux de guidage maintiennent plus facilement le plan de la lame perpendiculairement à la pièce à usiner. Pour les installer, desserrez légèrement le boulon papillon et insérez les quatre pinces dans les quatre œillets situés sur la partie inférieure du boîtier du moteur, puis resserrez le boulon papillon.



## INSTRUCTIONS RELATIVES AU KIT DE COUPE À RAS

### INTRODUCTION

Le kit de coupe à ras permet le montage de la lame de coupe affleurante (non incluse) sur la machine, ce qui garantit des coupes à ras bien que le carter de lame extérieure soit temporairement retiré.

### TABLE DES MATIÈRES

1. Bride de coupe à ras
2. Boulon de mandrin d'assemblage de douille et rondelle
3. Vis d'assemblage de douille à tête plate x 6
4. Clé hexagonale en L M5
5. Clé hexagonale en L M8
6. Couvercle pour coupe affleurante et vis à tête plate x 7

### MONTAGE

Pour monter le kit de coupe à ras, déposez d'abord le boulon de mandrin standard, les brides et la lame en fonction du manuel d'instructions.

1. Déposez le flexible d'eau de la buse à eau située sur le carter extérieur de lame et raccordez-le à la buse à eau secondaire du carter intérieur de lame.
2. Faites sauter le rabat anti-éclaboussures et retirez les 7 vis de fixation du couvercle.
3. Déclipssez les 3 verrous de commutateur et libérez les morillons desserrés situés dans les clips en plastique pour éviter les cliquetis.
4. Soulevez le carter de lame extérieur et gardez-le dans un endroit sûr.
5. Montez la bride de coupe à ras sur la broche et fixez-la à l'aide de la rondelle et du boulon de mandrin d'assemblage de douille. Insérez le verrou de mandrin et resserrez le boulon de mandrin au moyen de la clé hexagonale en L M8.

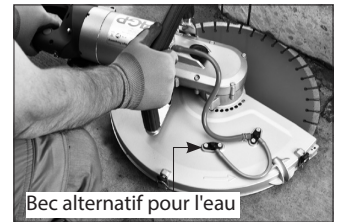
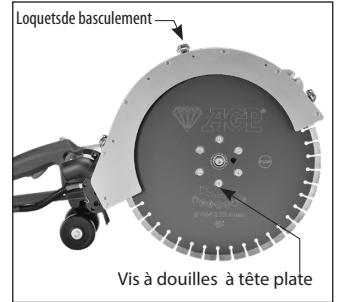
**AVERTISSEMENT : N'utilisez pas des entretoises ou des brides en dessous de la bride de coupe à ras !**

6. Montez la lame de coupe à ras sur la bride, alignez les trous et vissez les vis d'assemblage de douille à tête plate. Resserrez les vis uniformément et en diagonale, au moyen de la clé hexagonale en L M5.
7. Montez le couvercle pour coupe affleurante et vissez les 7 vis à tête plate.

**AVERTISSEMENT : Évitez de mettre la machine en marche sans que le couvercle pour coupe affleurante ne soit monté.**

8. Une fois la coupe à ras terminée, remettre immédiatement la scie à sa configuration de coupe standard.

**REMARQUE : Il existe un décalage réel d'environ 1 mm ou moins (en fonction de l'épaisseur des segments diamant).**



Mais étant donné que le carter de lame a un degré de flexibilité, il est possible de procéder à l'affleurement complet en y poussant légèrement vers le bas. Pour la coupe actuelle, l'affleurement est optimal. Un petit décalage doit exister de sorte que la lame ne laisse pas de micro-rayures sur le matériau de base. Pour donc éviter les micro-rayures, évitez d'utiliser une déportance négative et pour un affleurement optimal, utilisez une légère déportance négative.

**AVERTISSEMENT : Veillez toujours à ce que le carter de lame extérieur soit monté lors des coupes standards. Ne jamais utiliser la scie avec le carter de lame extérieur déposé, excepté pour les coupes à ras.**

**AVERTISSEMENT : Vérifiez périodiquement que les vis de montage et du mandrin sont bien serrées.**

**AVERTISSEMENT : En cas de vibrations anormales au cours du travail, arrêtez immédiatement et identifiez la cause avant de continuer.**

## PROTECTION CONTRE LES SURCHARGES ET LES SURCHAUFFES

### Témoin lumineux de surcharge et de charge

Chaque fois que le moteur est sous tension et fonctionne normalement dans ses limites de charge, le témoin lumineux de charge s'allume en vert.

Lorsque le rendement du moteur avoisine la limite de charge pleine, le témoin lumineux de charge clignote en rouge. En cas de dépassement de la pleine charge pendant une durée trop longue, le moteur s'arrête et le témoin lumineux de charge s'allume en rouge. Dans ce cas, arrêtez le moteur avant de le redémarrer.

**REMARQUE : Si le moteur ne démarre pas lorsque l'interrupteur est pressé :**

**A :** Si le témoin clignote en vert, alors l'interrupteur est défectueux.

**B :** Si le témoin reste vert fixe, alors le moteur est défaillant.

**REMARQUE : En cas d'utilisation d'une alimentation de 16 A monophasée, l'utilisateur doit veiller à ne pas utiliser une force excessive. Soyez attentif au témoin lumineux de charge et essayez de le maintenir vert. Une charge excessive utilise trop de courant et déclenche facilement le disjoncteur.**



### Protection Contre Les Surchauffes

Si la température du moteur est trop élevée, la protection thermique arrête le moteur. Le commutateur doit d'abord être arrêté, puis de nouveau actionné. Lorsque cela se produit, ne démarrez pas immédiatement la coupe. Laissez toujours l'eau de refroidissement circuler dans le moteur pendant quelques minutes pour que la température redevienne normale avant de poursuivre.

## CONFIGURATION

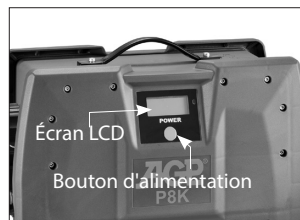
- Raccordez l'alimentation en eau du convertisseur au moteur au moyen du flexible de raccord à eau.



- Raccordez le convertisseur à l'alimentation en eau.
- Vérifiez l'absence de fuites.
- Raccordez le câble d'accouplement du moteur au convertisseur.
- Raccordez le convertisseur à l'alimentation électrique.

## FONCTIONNEMENT

- Lorsque le câble d'alimentation du convertisseur de puissance est branché, la tension d'alimentation s'affiche à l'écran LCD.
- Appuyez sur le bouton ALIMENTATION du convertisseur de puissance pour mettre le moteur sous tension. Le message « Activée » s'affiche à l'écran LCD et le témoin lumineux de charge du moteur s'allume en vert. Il signale que le moteur est désormais sous tension et peut être commandé via le commutateur à gâchette.

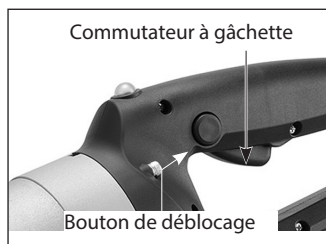


## LE COMMUTATEUR

Pour démarrer la machine, appuyez d'abord sur le bouton de déblocage, puis sur le commutateur à gâchette.

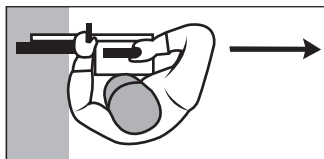
Pour arrêter la machine, déverrouillez le commutateur à gâchette, puis appuyez sur le bouton d'alimentation du convertisseur de puissance pour remettre la machine hors tension.

**ATTENTION : Tenez les champs magnétiques puissants éloignés de l'interrupteur et de l'arrière du moteur. Des champs magnétiques puissants pourraient endommager la machine.**



## COMMENT TENIR LA MACHINE

- Tenez toujours la machine à deux mains, la main droite sur la poignée principale et la main gauche, sur la poignée latérale. (Cela s'applique également aux utilisateurs gauchers)
- Ne vous alignez pas avec la lame. Tenez-vous plutôt hors de la trajectoire de rebond de la lame.
- Ne vous penchez jamais au-dessus de la trajectoire de la lame. Vous placerez votre corps sur la trajectoire d'un éventuel rebond de la lame.
- N'effectuez pas de coupe au-dessus de la hauteur des épaules.
- N'effectuez jamais de coupe debout sur une échelle ou une autre plateforme instable.

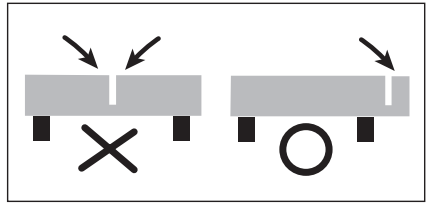


## AVANT LA COUPE

- Vérifiez la zone de coupe pour vous assurer qu'elle est libre de tout objet susceptible de faire trébucher l'utilisateur.
- Avant d'effectuer la coupe, il est parfois utile de marquer la ligne de coupe à la craie ou quelque chose de similaire. En ce qui concerne les coupes droites, une planche de bois permet également de guider la machine pendant la coupe.
- Veillez à ce que les passants se tiennent à l'écart.
- Assurez-vous que tout l'équipement de sécurité se trouve en place.

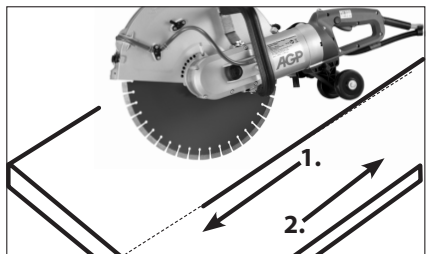
## SUPPORT ADÉQUAT POUR LA PIÈCE À USINER

- Soutenez la pièce à usiner de sorte que la strie ne coince pas la lame.
- Fixez la pièce à usiner de sorte à l'empêcher de rouler, glisser ou bouger du fait des vibrations produites pendant la coupe.
- La séquence de coupe est importante lors de la découpe. Exécutez toujours la dernière coupe en évitant de coincer la lame. Pour ce faire, exécutez d'abord la coupe horizontale inférieure, puis les coupes latérales, et enfin la coupe horizontale supérieure.
- Tenez compte du poids de la pièce à usiner ainsi que du sens de chute après la coupe.
- Au cas où couper la pièce à usiner présente un danger, laissez une attache intacte et terminez le travail au ciseau ou avec un objet similaire.



## TECHNIQUE DE COUPE

- Tenez la machine à deux mains pour résister au couple de démarrage, puis appuyez sur le bouton de déblocage et maintenez le commutateur à gâchette enfoncé.
- Laissez la machine atteindre la vitesse maximale avec d'entrer en contact avec la pièce à usiner.
- Réglez le débit d'eau au besoin au moyen de la soupape d'alimentation en eau.
- Ensuite, démarrez doucement la coupe avec la partie arrière de la lame jusqu'à l'exécution de la strie. Exécutez la première coupe vers l'avant (de sorte à voir la ligne de coupe). Ensuite, exécutez les coupes suivantes vers l'arrière.
- N'essayez pas de couper trop profond en une seule fois. Ne dépassez jamais environ 50 mm (2 po) par passage.
- Il est conseillé de commencer par creuser une rainure de guidage peu profonde avant d'exécuter la coupe principale. En cas de nécessité de correction. Soulevez la lame et effectuez une légère coupe en avant, puis en arrière, dans la strie existante. Veillez à éviter tout coincement de la lame.
- En ce qui concerne les pièces à usiner rondes, la



meilleure technique consiste à effectuer de lents mouvements de va-et-vient uniformes tandis que vous coupez à l'aide du quadrant inférieur de la lame.

- Ne laissez pas la machine s'enliser. Limitez la pression d'avance pour maintenir la vitesse élevée de rotation de la lame.
- Ne placez jamais la lame dans la strie par le côté.

## ARRÊT

Relâchez le commutateur à gâchette pour arrêter la machine. Une fois ce dernier relâché, la lame continue de tourner pendant un court moment. Lorsque la machine est complètement à l'arrêt, appuyez sur bouton d'alimentation du convertisseur de puissance pour mettre le moteur hors tension.

**AVERTISSEMENT : Ne posez la machine qu'à l'arrêt complet de la lame.**

## MAINTENANCE ET NETTOYAGE

La machine fonctionne dans des environnements particulièrement rudes.

Il est donc essentiel, pour une longue durée de vie de l'outil, de bien le nettoyer après chaque utilisation.

### Maintenance quotidienne

1. Gardez la machine propre.
2. Vérifiez que le câble d'accouplement du moteur, les câbles d'alimentation et les flexibles de raccord à eau sont en bon état.
3. Assurez-vous que toutes les vis sont bien serrées.
4. Vérifiez l'état de tout l'équipement de sécurité à l'instar du carter de la lame.
5. Vérifiez l'absence de dommages sur la lame.

Si le remplacement du câble d'alimentation est nécessaire, il doit être effectué par le fabricant ou son représentant afin d'éviter tout danger pour la sécurité.

**AVERTISSEMENT : Toutes les réparations doivent être effectuées par un centre de service agréé. Les réparations mal exécutées peuvent causer des blessures ou la mort.**

Ne jetez pas d'outils électriques avec les déchets ménagers !

Conformément à la directive européenne 2002/96/CE sur les déchets d'équipements électriques et électroniques et à sa transposition dans la loi nationale, les outils électriques usagés doivent être collectés séparément et recyclés de manière écologique.

## CODES D'ÉCRANS LCD DE CONVERTISSEURS DE PUISSANCE :

**DÉSACTIVÉ :** Lorsque le convertisseur est branché, l'écran affiche la tension d'alimentation. La tension affichée dépend de la tension d'alimentation.

**ACTIVÉ :** Lorsque le bouton d'alimentation du convertisseur est enfoncé, l'écran affiche le message « ACTIVÉ » indiquant que l'outil branché est désormais sous tension.

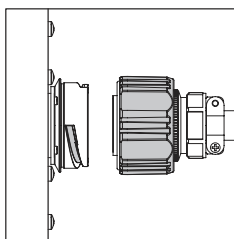
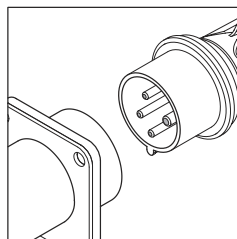
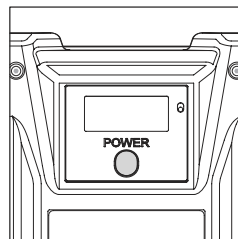
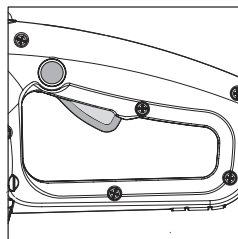
### ASSISTANCE AU DÉPANNAGE

**A:**  
Redémarrez le moteur en mettant l'interrupteur sur OFF puis de nouveau sur ON.

**B:**  
Redémarrez le convertisseur en mettant le bouton de démarrage sur OFF puis de nouveau sur ON

**C:**  
Débranchez et rebranchez le câble d'alimentation du convertisseur.

**D:**  
Débranchez et rebranchez le câble du coupleur du moteur (entre le moteur et le convertisseur).



### CODES D'ERREURS

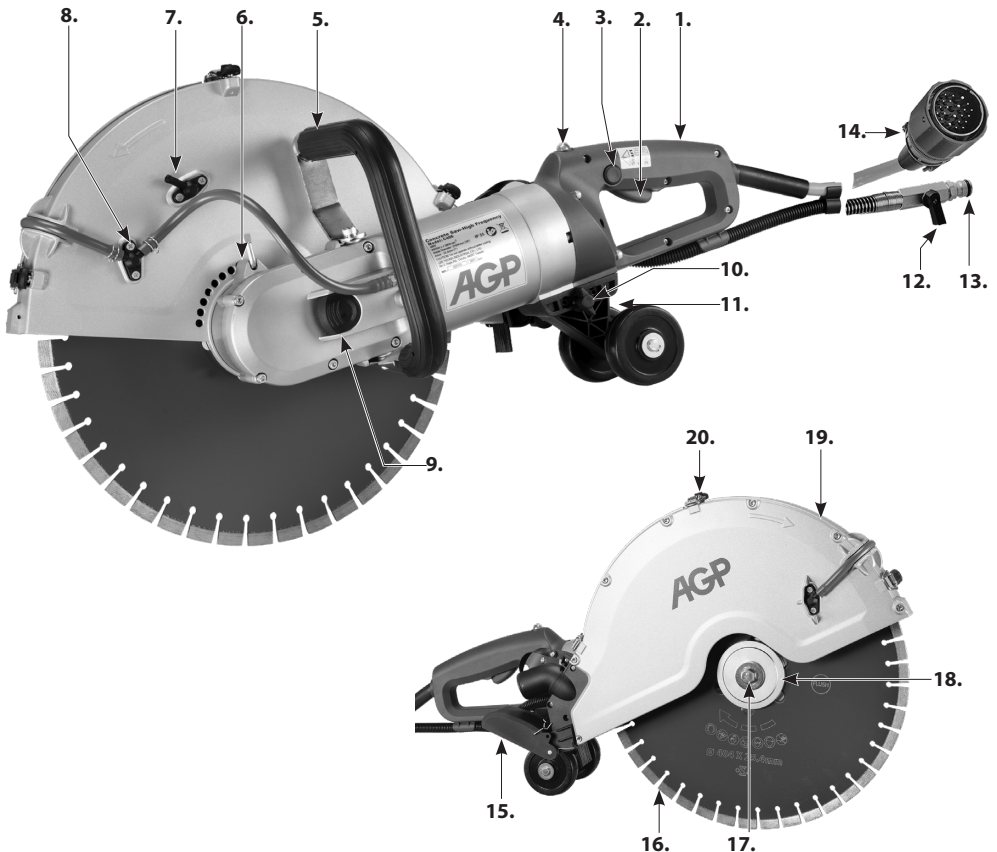
Code d'erreur	Description	Action corrective (remède, correction)	Plus d'explications
<b>8888</b>	Perte de communication entre la carte électronique du moteur, la carte électronique du convertisseur et le module LCD à la mise sous tension.	<b>D</b>	Vérifiez le raccordement du câble d'accouplement.
<b>E1</b>	Surcharge du convertisseur.	<b>A</b>	Mettez le commutateur de l'outil sur ARRÊT, puis de nouveau sur MARCHÉ.
<b>E2</b>	Surchauffe du convertisseur	<b>A</b>	Assurez-vous que l'eau circule. Mettez le commutateur de l'outil sur ARRÊT, puis de nouveau sur MARCHÉ dès que la température redevient normale.
<b>E3</b>	Sous-tension	<b>A</b>	Dès que la tension d'alimentation redevient normale, mettez le commutateur de l'outil sur ARRÊT, puis de nouveau sur MARCHÉ.
<b>E4</b>	Surtension	<b>A</b>	Dès que la tension d'alimentation redevient normale, mettez le commutateur de l'outil sur ARRÊT, puis de nouveau sur MARCHÉ.

<b>E5</b>	Tension de retour excessive du frein moteur au convertisseur	<b>B</b>	Appuyez sur le bouton ALIMENTATION du convertisseur pour le mettre en ARRÊT, puis de nouveau en MARCHE. (Si le problème persiste, faites réparer l'unité dans un centre de service agréé)
<b>E6</b>	Détection de fuite de courant DDR entre le convertisseur et la tension d'alimentation	<b>C</b>	Confirmez toutes les connexions, déconnectez et reconnectez le câble d'alimentation, puis redémarrez le convertisseur (si le problème persiste, apportez l'appareil à un centre de service agréé pour réparation).
<b>E7</b>	Erreur du détecteur à effet Hall	<b>B</b>	Appuyez sur le bouton ALIMENTATION du convertisseur pour le mettre en ARRÊT, puis de nouveau en MARCHE. (Si le problème persiste, faites réparer l'unité dans un centre de service agréé)
<b>E8</b>	Surchauffe du moteur	<b>A</b>	Assurez-vous que l'eau circule, et patientez 20 secondes. Ensuite, mettez le commutateur de l'outil sur ARRÊT, puis de nouveau sur MARCHE (si la température ne diminue pas suffisamment après 20 secondes, patientez davantage pour que la température baisse jusqu'à un niveau satisfaisant).
<b>E91</b>	Perte de communication entre la carte électronique du convertisseur et le module LCD pendant le fonctionnement	<b>B</b>	Appuyez sur le bouton ALIMENTATION du convertisseur pour le mettre en ARRÊT, puis de nouveau en MARCHE.. (Si le problème persiste, faites réparer l'unité dans un centre de service agréé)
<b>E92</b>	Perte de communication entre la carte électronique du moteur et le module LCD pendant le fonctionnement	<b>B</b>	Vérifiez le raccordement du câble d'accouplement. Ensuite, mettez le commutateur de l'outil sur ARRÊT, puis de nouveau sur MARCHE (si le problème persiste, faites réparer l'unité dans un centre de service agréé)
<b>E10</b>	Faux contacts du câble d'alimentation monophasé	<b>C</b>	Vérifiez les raccordements de la fiche et du câble d'alimentation.
<b>E11</b>	Fuite de courant entre le convertisseur et l'outil	<b>C</b>	Vérifiez les raccordements, puis appuyez sur le bouton ALIMENTATION du convertisseur pour le mettre en ARRÊT, puis de nouveau en MARCHE (si le problème persiste, faites réparer l'unité dans un centre de service agréé).
<b>E12</b>	Faux contacts du câble d'alimentation triphasé	<b>C</b>	Vérifiez les raccordements de la fiche et du câble d'alimentation.
<b>E15</b>	Problème interne au circuit de la carte électronique du convertisseur	<b>C</b>	Appuyez sur le bouton ALIMENTATION du convertisseur pour le mettre en ARRÊT, puis de nouveau en MARCHE (si le problème persiste, faites réparer l'unité dans un centre de service agréé)
<b>E16</b>	Absence de signal du capteur de température du moteur	<b>A</b>	Mettez le commutateur de l'outil sur ARRÊT, puis de nouveau sur MARCHE (si le problème persiste, faites réparer l'unité dans un centre de service agréé).
<b>E17</b>	Court-circuit du capteur de température du moteur	<b>A</b>	Mettez le commutateur de l'outil sur ARRÊT, puis de nouveau sur MARCHE (si le problème persiste, faites réparer l'unité dans un centre de service agréé).

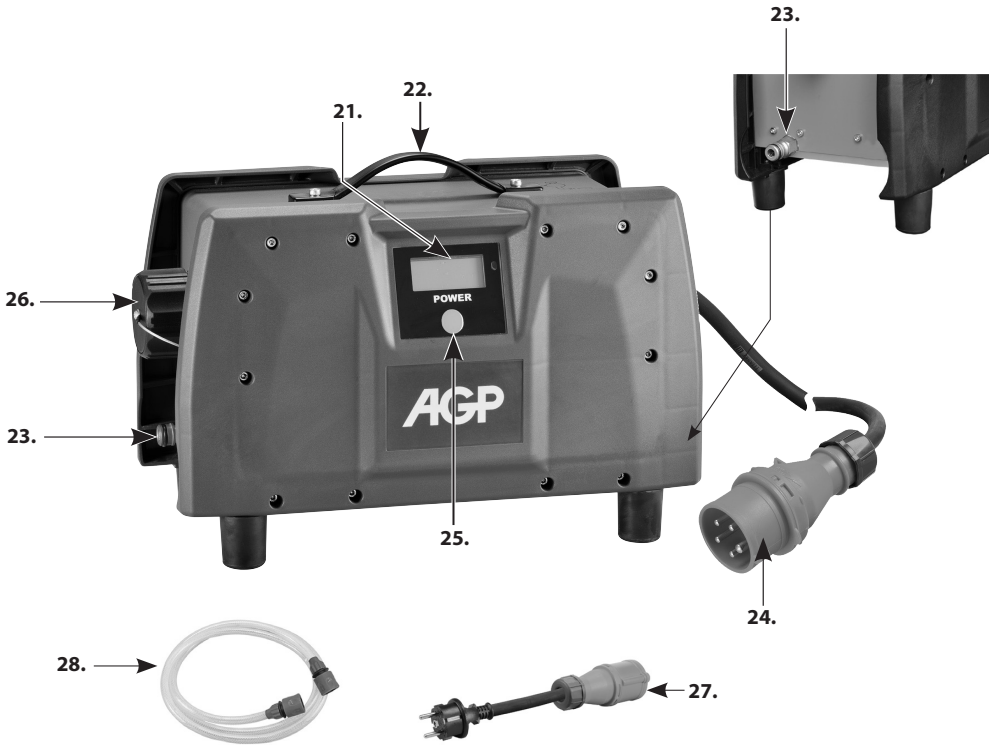
**ESPECIFICACIONES**

<b>Sierra de alta frecuencia para hormigón</b>		<b>Power Converter</b>
Potencia:		Entrada (máx.)
1Ø~200-240 V	5 500 W (32A), 3600W (16A)	32 A
3Ø~220-240 V	5 500 W	25 A
3Ø~380-480 V	6 600 W	16 A
rpm sin carga	3 900 / Min	—
Velocidad lineal disco W/18"	82.9 m/s	—
Diámetro de disco	406 mm (16")	—
Eje	25.4 mm (1")	—
Mín. Espesor del núcleo de la cuchilla	1,7 mm (0,067")	—
Máx. Espesor del núcleo de la cuchilla	4,3 mm (0,169")	—
Profundidad de corte máx.	150 mm (6")	—
Caudal mín. (25 °C)	—	3.5 L/min (1 gpm)
Presión máx. del agua	—	7 bar (100 psi)
Dimensiones (L x An x Al)	780 x 260 x 300 mm	460 x 220 x 260 mm
Peso	10.5 kg (23.1 lb)	7.1 kg (15.6 Lbs)

**Sierra de alta frecuencia para hormigón**



## Convertidor de alimentación



- |  |   |
|--|---|
| 1. Empuñadura principal                          | 15. Protección antisalpicaduras           |
| 2. Interruptor de gatillo                        | 16. Disco diamantado                      |
| 3. Botón de desbloqueo                           | 17. Perno del eje                         |
| 4. Piloto de advertencia de carga                | 18. Brida exterior                        |
| 5. Empuñadura lateral                            | 19. Protección del disco                  |
| 6. Palanca de bloqueo de la protección del disco | 20. Cierres de palanca                    |
| 7. Tobera de alimentación alternativa            | 21. Pantalla LCD                          |
| 8. Tobera de alimentación de agua                | 22. Convertidor de alimentación           |
| 9. Botón de bloqueo de eje                       | 23. Entrada/salida del suministro de agua |
| 10. Perno mariposa                               | 24. Cable de suministro de corriente      |
| 11. Grupo de rodillos guía                       | 25. Botón de encendido                    |
| 12. Válvula de alimentación de agua              | 26. Toma de acoplamiento del motor        |
| 13. Acoplamiento para agua                       | 27. Cable adaptador monofásico (opcional) |
| 14. Cable de acoplamiento del motor              | 28. Conducto de acoplamiento de agua      |

# NORMAS DE SEGURIDAD GENERAL



**ADVERTENCIA:** lea todas las advertencias e instrucciones de seguridad. La inobservancia de las advertencias y las instrucciones puede causar descargas eléctricas, incendios y lesiones graves.

**Guarde las advertencias e instrucciones para consultarlas en el futuro.**

El término «herramienta eléctrica» de las advertencias se refiere a la herramienta eléctrica (con cable) alimentada a través de la red o a la herramienta eléctrica (sin cable) alimentada por batería.

## 1. SEGURIDAD DE LA ZONA DE TRABAJO

- a. **Mantenga la zona de trabajo limpia y bien iluminada.** Las zonas abarrotadas u oscuras son una fuente de accidentes.
- b. **No utilice la herramienta eléctrica en entornos explosivos, así como tampoco si hay líquidos, gases o polvo inflamables.** Las herramientas eléctricas pueden generar chispas o gases que inflamen el polvo.
- c. **Mantenga a los niños y a las demás personas alejados cuando utilice la herramienta eléctrica.** Las distracciones pueden hacer que pierda el control.
- d. **No deje en ningún caso la herramienta eléctrica sin supervisar.** Deje la herramienta solo si esta se ha detenido por completo.

## 2. SEGURIDAD ELÉCTRICA

- a. **Los enchufes de la herramienta eléctrica deben coincidir con la toma. No modifique el enchufe en modo alguno. No utilice enchufes adaptadores con la herramienta eléctrica puesta a tierra.** Los enchufes no modificados y las tomas correspondientes reducen el riesgo de descarga eléctrica.
- b. **Evite entrar en contacto con superficies puestas a tierra, como tuberías, radiadores, estufas y refrigeradores.** Existe un mayor riesgo de descarga eléctrica si su cuerpo está puesto a tierra.
- c. **No exponga la herramienta eléctrica a la lluvia o la humedad.** Si penetra agua en la herramienta eléctrica, aumentará el riesgo de descarga eléctrica.
- d. **No abuse del cable. No lo utilice nunca para trasladar, tirar de o desenchufar la herramienta eléctrica. Mantenga el cable alejado del calor, el aceite, los bordes afilados o las piezas en movimiento.** Los cables dañados o enredados aumentan el riesgo de descarga eléctrica.
- e. **Cuando utilice la herramienta en exteriores, emplee una extensión de cable apta para el uso a la intemperie.** El uso de un cable apto para exteriores reduce el riesgo de descarga eléctrica.
- f. **Si resulta inevitable utilizar la herramienta eléctrica en un entorno con humedad, emplee un interruptor diferencial.** El uso de un interruptor diferencial reduce el riesgo de descarga eléctrica.

## 3. SEGURIDAD PERSONAL

- a. **Manténgase alerta, preste atención a lo que hace y haga uso de su sentido común cuando utilice la herramienta eléctrica. No utilice la herramienta eléctrica si está cansado o bajo los efectos de las**



**drogas, el alcohol o medicamentos.** Un momento de descuido al utilizar la herramienta eléctrica puede causar lesiones personales graves.

- b. Póngase el equipo de protección individual. Lleve siempre protección ocular.** Los equipos protectores, como máscaras antipolvo, calzado de seguridad antideslizante, casco o protección auditiva, reducen las lesiones personales si se utilizan en las condiciones que así lo requieran.
- c. Evite arranques no intencionados. Asegúrese de que el interruptor esté en la posición DES antes de conectar la herramienta a la corriente o a la batería, de levantarla o de trasladarla.** Si sujeta la herramienta eléctrica con el dedo en el interruptor o si la enchufa con el interruptor encendido, puede provocar un accidente.
- d. Retire las llaves y las llaves de ajuste antes de encender la herramienta eléctrica.** Las llaves que se dejen en elementos giratorios de la herramienta eléctrica pueden causar lesiones personales.
- e. No se extralimite. Manténgase firme y en equilibrio en todo momento.** Esto le permitirá controlar mejor la herramienta eléctrica en situaciones imprevistas.
- f. Vista adecuadamente. No lleve ropa suelta ni joyas. Mantenga el cabello y la ropa alejados de las piezas en movimiento.** La ropa suelta, las joyas y el cabello largo se pueden enganchar en las piezas en movimiento.
- g. Si se facilitan dispositivos para la conexión de extractores y colectores de polvo, asegúrese de que estén conectados y de que se utilicen como es debido.** El uso de colectores de polvo puede reducir los riesgos asociados con este.
- h. No permita que la familiaridad debida al uso frecuente de herramientas le haga confiarse e ignorar los principios de seguridad de las herramientas.** Actuar con descuido puede causar lesiones graves en apenas unos instantes.

#### 4. USO Y CUIDADO DE LA HERRAMIENTA ELÉCTRICA

- a. No fuerce la herramienta eléctrica. Utilice la herramienta eléctrica adecuada para la aplicación pertinente.** La herramienta eléctrica correcta realizará su cometido mejor, de forma más segura y a la velocidad para la que se diseñó.
- b. No utilice la herramienta eléctrica si el interruptor no enciende ni apaga.** Cualquier herramienta eléctrica que no se pueda controlar con el interruptor es peligrosa y se debe reparar.
- c. Desconecte el enchufe de la fuente de alimentación y saque la batería de la herramienta eléctrica antes de realizar ajustes, cambiar accesorios o guardar la herramienta.** Estas medidas de seguridad preventivas reducen el riesgo de que la herramienta eléctrica se encienda por accidente.
- d. Guarde las herramientas eléctricas que no utilice fuera del alcance de los niños y no permita que personas que no estén familiarizadas con ellas o con las instrucciones las utilicen.** Las herramientas eléctricas son peligrosas en manos de personas que no sepan utilizarlas.
- e. Ocúpese de mantener las herramientas eléctricas y los accesorios. Compruebe si las piezas en movimiento están mal alineadas o atascadas, si se ha roto algún elemento o si se da alguna circunstancia que pueda afectar al funcionamiento de la herramienta eléctrica. Si presenta desperfectos, la herramienta eléctrica se debe reparar antes de utilizarse.** Muchos accidentes se deben a un mal mantenimiento de las herramientas eléctricas.
- f. Mantenga las herramientas de corte afiladas y limpias.** Las herramientas de corte en el debido estado y con los bordes de corte afilados tienen menos probabilidades de atascarse y resultan más fáciles de controlar.

- g. Utilice la herramienta eléctrica, los accesorios, las brocas, etc. según disponen estas instrucciones y teniendo en cuenta las condiciones de trabajo y la tarea que debe realizar.** Utilizar la herramienta eléctrica para cometidos que no sean los previstos puede provocar situaciones peligrosas.
- h. Mantenga las empuñaduras y las superficies de agarre secas, limpias y exentas de aceite y grasa.** Las empuñaduras escurridizas no permiten manipular ni controlar con seguridad la herramienta en situaciones imprevistas.

## 5. REPARACIÓN

**Haga que se ocupe de reparar la herramienta eléctrica una persona cualificada que solo utilice repuestos idénticos.** De este modo se garantiza la seguridad de la herramienta eléctrica.

### Símbolos utilizados en este manual

V.....voltios

A.....amperios

Hz.....hercios

W.....vatios

~.....corriente alterna

n .....velocidad nominal

rpm.....revoluciones por minuto

1∅.....Corriente monofásica

3∅.....Corriente trifásica



.....Con toma de tierra eléctrica



.....Advertencia de peligro general



.....Lea estas instrucciones



.....Lleve siempre protección ocular



.....Lleve siempre una máscara antipolvo



.....Lleve siempre protección auditiva



.....Lleve siempre un casco de seguridad aprobado



.....PELIGRO: mantenga las manos alejadas de la zona de corte y del disco.



No deseche la herramienta eléctrica, los accesorios y el embalaje con la basura doméstica



.....Utilice siempre agua refrigerante

## Advertencias de seguridad para la herramienta de corte

- **La protección facilitada se debe fijar bien a la herramienta eléctrica y colocarse de modo que ofrezca una seguridad máxima, para que la menor parte del disco posible esté expuesta hacia el usuario. Colóquese y aleje a los demás del plano del disco giratorio.** La protección ayuda a proteger al usuario frente a fragmentos de disco rotos y frente al contacto accidental con el disco.
- **Utilice únicamente discos de corte de diamante con esta herramienta eléctrica.** El hecho de que un accesorio se pueda montar en la herramienta eléctrica no garantiza un funcionamiento seguro.
- **La velocidad nominal del accesorio debe ser como mínimo equivalente a la velocidad máxima que se indica en la herramienta eléctrica.** Los accesorios que funcionen más rápido que la velocidad nominal se pueden romper y salir despedidos.
- **Los discos solo se deben utilizar para las aplicaciones recomendadas. Por ejemplo: no rectifique con el lado del disco de corte.** Los discos de corte abrasivos están diseñadas para el rectificado periférico; se pueden romper si se les aplican fuerzas laterales.
- **Utilice siempre bridas sin daños que sean del diámetro correcto para el disco seleccionado.** Unas bridas adecuadas ayudan a sujetar el disco, con lo que se reduce la posibilidad de que se rompa.
- **No utilice discos desgastados y reforzados de herramientas eléctricas más grandes.** Los discos previstos para herramientas eléctricas más grandes no son aptos para la velocidad superior de herramientas más pequeñas y se pueden romper.
- **El diámetro exterior y el grosor del accesorio deben encontrarse dentro de la capacidad nominal de la herramienta eléctrica.** Los accesorios de un tamaño incorrecto no se pueden proteger ni controlar debidamente.
- **El tamaño del eje de los discos y las bridas debe encajar debidamente con el husillo de la herramienta eléctrica.** Los discos y bridas con orificios del eje que no se correspondan con los elementos de montaje de la herramienta eléctrica perderán el equilibrio, generarán vibraciones excesivas y pueden provocar la pérdida de control.
- **No utilice discos dañados. Compruebe que los discos no tengan muescas ni grietas antes de utilizarlos. Si la herramienta o el disco se caen, compruebe que no presentan desperfectos o utilice un disco en perfecto estado.** Después de examinar e instalar el disco, colóquese y aleje a los demás del plano del disco giratorio y haga funcionar la herramienta eléctrica a velocidad máxima sin carga durante un minuto. Por lo general, los discos dañados se romperán durante este tiempo de prueba.
- **Póngase el equipo de protección individual. Según la aplicación, utilice una máscara protectora o gafas de seguridad. Según sea preciso, utilice una máscara antipolvo, protección auditiva, guantes y un delantal de taller que pueda detener partículas abrasivas o fragmentos de la pieza de trabajo.** La protección ocular debe ser capaz de detener restos que salgan despedidos en distintas actividades. La máscara o el respirador antipolvo deben ser capaces de filtrar las partículas que genere la actividad. Una exposición prolongada a ruidos de alta intensidad puede provocar pérdidas de audición.
- **Mantenga a las demás personas a una distancia segura de la zona de trabajo. Todas las personas que accedan a la zona de trabajo deben utilizar un equipo de protección individual.** Es posible que salgan desprendidos fragmentos de la pieza de trabajo o de los accesorios rotos, y que causen lesiones más allá de la zona de trabajo inmediata.
- **Sujete la herramienta eléctrica únicamente por las superficies de agarre aisladas cuando realice operaciones en las que los accesorios de corte puedan entrar en contacto con cables ocultos o con su propio cable.** El contacto de los accesorios de corte con cables sometidos a tensión puede hacer que las partes metálicas expuestas de la herramienta eléctrica también lo estén y transmitan una descarga al

usuario.

- **Disponga el cable alejado del accesorio giratorio.** Si pierde el control, es posible que el cable se corte o se enganche y que el disco abrasivo arrastre la mano o el brazo.
- **No deposite nunca la herramienta eléctrica hasta que el accesorio se haya detenido por completo.** El disco giratorio puede engancharse a la superficie y hacer que pierda el control de la herramienta eléctrica.
- **No tenga la herramienta eléctrica en marcha cuando la lleve a un lado.** El contacto accidental con el accesorio giratorio podría romperle la ropa y hacer que el accesorio penetre en el cuerpo.
- **Limpie con regularidad los orificios de ventilación de la herramienta eléctrica.** El ventilador del motor succiona el polvo al interior de la carcasa, y la acumulación excesiva de polvo metálico puede causar peligros eléctricos.
- **No utilice la herramienta eléctrica cerca de materiales inflamables.** Las chispas podrían prender fuego a dichos materiales.

## CONTRAGOLPE Y ADVERTENCIAS RELACIONADAS

- **El contragolpe es una reacción repentina a un disco giratorio que se pellizca o engancha. Los pellizcos y los enganches pueden causar que se atasque el disco giratorio, lo que, a su vez, hace que la herramienta eléctrica descontrolada asuma la dirección apuesta al sentido de giro del disco en el punto de unión.** Por ejemplo, si la pieza de trabajo engancha o pellizca un disco abrasivo, el borde del disco que sufra el pellizco puede penetrar en la superficie del material, de modo que el disco salga despedido hacia arriba o hacia fuera. El disco puede dirigirse al usuario o alejarse de este, según el sentido del movimiento del disco en el momento del pellizco. También es posible que los discos abrasivos se rompan en dichas circunstancias. El contragolpe es consecuencia de un uso indebido de la herramienta eléctrica o de un procedimiento o de condiciones operativas incorrectos, y se puede evitar adoptando las debidas precauciones, tal y como se indica a continuación.
- **Sujete con firmeza la herramienta eléctrica y coloque el cuerpo y el brazo de modo que pueda resistir las fuerzas de contragolpe. Utilice siempre una empuñadura auxiliar, si dispone de ella, con el fin de ejercer el máximo control posible sobre la reacción de contragolpe o de par durante el arranque.** El usuario puede controlar las reacciones de par y las fuerzas de contragolpe si adopta las medidas necesarias.
- **No sitúe la mano jamás cerca del accesorio giratorio.** El accesorio podría retroceder hacia su mano.
- **No se coloque en línea con el disco giratorio.** El contragolpe impulsará la herramienta en la dirección contraria al sentido de giro del disco en el momento de engancharse.
- **Preste especial atención al trabajar en esquinas, bordes afilados, etc. Evite sacudir y enganchar el accesorio.** Las esquinas, los bordes afilados y las sacudidas tienden a enganchar el accesorio giratorio y a provocar pérdida de control o contragolpe.
- **No monte hojas de sierra, hojas de cadena para madera, discos de diamante segmentados con un espacio periférico superior a 10 mm ni hojas de sierra dentada.** Suelen provocar contragolpe y pérdida de control.
- **No atasque el disco de corte ni aplique una presión excesiva. No intente lograr una profundidad de corte excesiva.** El sobreesfuerzo del disco aumenta la carga y la susceptibilidad a torcer o doblar el disco en el corte, así como la posibilidad de contragolpe o rotura del disco.
- **Si el disco se adhiere o cuando interrumpa un corte por cualquier motivo, apague la herramienta**

**eléctrica y sujétela sin moverla hasta que el disco se haya detenido por completo. No trate jamás de retirar el disco del corte mientras siga en movimiento, puesto que se puede producir contragolpe.**

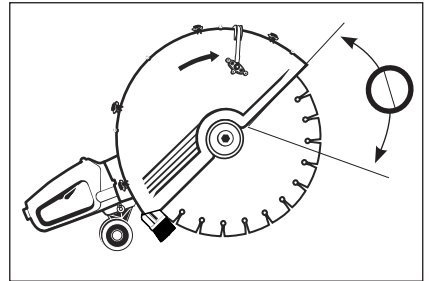
Examine la situación y actúe para eliminar la causa de la adhesión del disco.

- **No siga cortando la pieza de trabajo. Deje que el disco alcance la velocidad máxima y vuelva a introducirlo en el corte con cuidado.** Es posible que el disco se atasque, suba o sufra contragolpe si se vuelve a encender la herramienta eléctrica en la pieza de trabajo.
- **Utilice paneles de apoyo o cualquier pieza de trabajo de dimensiones superiores para reducir al mínimo el riesgo de que el disco se pellizque y sufra contragolpe.** Las piezas de trabajo grandes tienden a hundirse por su propio peso. Se deben colocar soportes debajo de la pieza de trabajo, cerca de la línea de corte y del borde de la pieza, a ambos lados del disco.
- **Sea especialmente precavido al realizar «cortes empotrados» en paredes ya existentes o en otras zonas sin visibilidad.** El disco que sobresale puede cortar tuberías de gas o de agua, cableado eléctrico u objetos, lo que puede provocar contragolpe.

## ADVERTENCIAS DE SEGURIDAD PARA LA HERRAMIENTA DE CORTE: NORMAS DE SEGURIDAD ADICIONALES

**ADVERTENCIA:** evite cortar con el cuadrante superior del disco, sobre todo al comenzar el corte. Es muy probable que esta zona cause contragolpe.

**ADVERTENCIA:** al cortar plásticos, no permita que se derritan. Si el plástico se derrite, puede adherirse al disco, lo que puede causar contragolpe.



## CONEXIÓN ELÉCTRICA

La tensión de red debe concordar con la tensión que se indica en la placa de características de la herramienta. La herramienta no se debe utilizar en ningún supuesto si el cable de suministro de corriente está dañado. Un centro de atención al cliente autorizado debe reparar los cables dañados de inmediato. No trate de reparar el cable por su cuenta. El uso de cables de suministro de corriente dañados puede provocar descargas eléctricas.

**ADVERTENCIA:** Esta herramienta debe estar siempre conectada a tierra. Si la toma de corriente (receptáculo) no tiene conexión a tierra, el enchufe de alimentación debe conectarse a tierra por separado. El funcionamiento sin conexión a tierra aumentará el riesgo de descarga eléctrica, lesiones personales graves y/o la muerte

**ADVERTENCIA:** no utilice jamás una herramienta dañada. Marque siempre las herramientas dañadas y póngalas fuera de servicio hasta que sea posible repararlas.

La conexión entre el convertidor de alimentación y el motor se establece mediante un cable de acoplamiento del motor especial. Para conectarlo, desenrosque el tapón, alinee los ganchos, empuje y enrosque el collar. Evite que se doblen los pines. Mantenga el tapón puesto cuando no se esté utilizando. No modifique el enchufe en modo alguno.

## CORRIENTE TRIFÁSICA

De forma idónea, para lograr el máximo rendimiento debería suministrarse una corriente trifásica de entre 380 V y 480 V al convertidor de alimentación. Si el enchufe no coincide con la toma disponible, un electricista cualificado deberá montar un enchufe correcto.

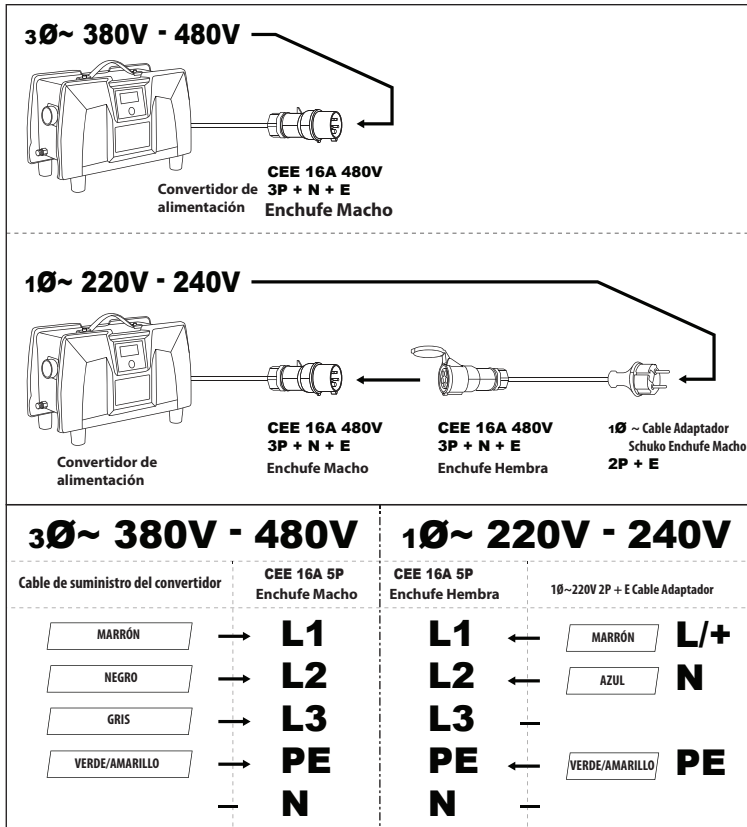
## CORRIENTE MONOFÁSICA

En aquellos casos en los que no haya corriente trifásica disponible, esta herramienta también podrá funcionar con corriente monofásica de entre 220 V y 240 V, con una potencia ligeramente inferior. Utilice el cable adaptador monofásico. Al utilizar el cable adaptador monofásico, la corriente se limita a 16 A.

Si se necesita más potencia y hay un disyuntor de 32 A o más disponible, es posible retirar el enchufe principal y conectar el cable de alimentación principal del convertidor directamente al disyuntor. En ese caso, conecte los cables L1 y L2 al disyuntor y deje el cable L3 sin conectar. A continuación, conecte el cable de tierra a la conexión de puesta a tierra.

**NOTA: solo puede ocuparse de lo anterior un electricista cualificado.**

## CONEXIONES DE SUMINISTRO DE CORRIENTE: TRIFÁSICA Y MONOFÁSICA



## INTRODUCCIÓN

Esta máquina es una herramienta eléctrica especial de alta frecuencia con motor síncrono de imanes permanentes que se debe utilizar junto con un convertidor de alimentación de alta frecuencia para el suministro eléctrico. El convertidor toma una corriente de entre 220 y 480 V, 50 o 60 Hz, monofásica o trifásica, y la convierte en alta frecuencia para su uso con el motor. La conexión entre el convertidor y el motor se establece mediante un cable de acoplamiento del motor con enchufe especial.

El convertidor tiene un enchufe de corriente trifásica y un adaptador monofásico para su uso con corriente monofásica. El máximo rendimiento se obtiene con una corriente trifásica de entre 380 y 480 V. El rendimiento se reducirá si se utiliza una corriente trifásica o monofásica de entre 220 y 240 V debido a las limitaciones eléctricas.

La herramienta está equipada con dos empuñaduras y una protección para el disco. Cuenta con un sistema integrado de suministro de agua para la refrigeración y el corte diamantino. El convertidor de alimentación integra un dispositivo de corriente residual por motivos de seguridad eléctrica, y está protegido frente a sobrecarga, sobretensión, tensión insuficiente y tensión excesiva. Solo se debe utilizar con un disco de diamante. Está destinada a cortar mampostería, piedra, hormigón, hormigón reforzado y materiales similares. Se prohíbe cualquier otro uso.

## CONTENIDO

- Sierra para hormigón
- Convertidor de alimentación
- Conducto de acoplamiento de agua
- Cable adaptador monofásico
- Grupo de rodillos guía
- Llave combinada M17
- Protección antisalpicaduras
- Juego de corte enrasado

## MONTAJE

- Monte el disco (consulte a continuación «Montar el disco»).
- Si así lo desea, monte el grupo de rodillos guía (consulte a continuación «Grupo de rodillos guía»).
- Monte la protección antisalpicaduras (consulte a continuación las instrucciones de montaje en «Protección antisalpicaduras»).

## DISCOS DE DIAMANTE

### CLASES DE DISCO PERMITIDAS

Con esta herramienta solo se pueden utilizar discos de diamante.

- Utilice únicamente discos de diamante con borde segmentado o continuo.
- Si los discos de diamante están segmentados, la separación periférica máxima permitida entre segmentos es de 10 mm y debe presentar un ángulo de inclinación negativo.
- Solo se pueden utilizar discos de diamante de 457 mm o menos.
- El grosor de la hoja debe ser como mínimo de 2,4 mm (0,095") y como máximo de 6,35 mm (0,250").
- El grosor del núcleo de la cuchilla debe ser como mínimo de 1.7 mm (0.067") y como máximo de 4.3 mm (0.169").

## ALMACENAMIENTO Y TRANSPORTE DE LOS DISCOS

No guarde ni transporte la herramienta con el disco montado. Quite el disco y guárdelo de modo que evite que se doble o resulte dañado cuando la herramienta no esté en uso: esto evitará desperfectos en el disco.

Un disco dañado puede causar irregularidades, lo que puede provocar que pierda el equilibrio y ponerle en peligro. Compruebe siempre que los discos nuevos no hayan sufrido desperfectos durante el almacenamiento o el transporte.

## ACERCA DE LOS DISCOS DE DIAMANTE

Los discos de diamante constan de un núcleo de acero con segmentos de diamante incorporados en la zona periférica.

Los discos de diamante están disponibles en distintos grosores para materiales de mampostería, piedra, hormigón, hormigón reforzado, etc.

Algunos discos de diamante están previstos para su uso en húmedo, mientras que otros lo están para el uso en seco. Esta herramienta se debe utilizar siempre con agua, puesto que la necesita para refrigerar el convertidor y el motor. En líneas generales, aunque el disco esté indicado para el uso en seco, las herramientas diamantinas funcionan siempre mejor en húmedo. El agua impide que el disco se sobrecaliente, reduce en gran medida el polvo nocivo que se genera, elimina los lodos del corte y prolonga la vida útil del disco.

Los segmentos impregnados de diamante funcionan según el principio de erosión controlada. La matriz que liga los diamantes sufre un desgaste continuo debido a la abrasión de la pieza de trabajo, de modo que los diamantes más duros sobresalgan de la matriz. Los discos para cortar materiales más duros presentan una unión más suave que permite que los diamantes se proyecten de un modo más directo (pero no duran tanto). Los discos para cortar materiales más suaves y abrasivos presentan una unión más sólida que les permite resistir la abrasión del material y durar más. Si la matriz de unión no se erosiona lo suficiente (si no se exponen los diamantes), el disco deja de estar afilado. Esto recibe el nombre de pulido. Si el disco ya no corta, se ha pulido. Ver a continuación: «**Afilan un disco pulido**»

No realice movimientos bruscos, a fin de evitar que el disco sufra desperfectos. Tampoco debe moverlo con demasiada suavidad o los segmentos de diamante se pulirán. Utilice el disco de modo uniforme. Procure mantener el disco alineado perpendicularmente con el corte. Si el disco se tuerce, se doblará con facilidad. Al cortar hormigón reforzado, tenga especial cuidado si se topa con acero incrustado. Reduzca la presión aprox. en un tercio y deje que el disco siga a su ritmo; si la vibración es excesiva, puede que se rompa. Una vez haya atravesado el acero, prosiga con normalidad.

**NOTA: no utilice en ningún caso discos de diamante para servicio en húmedo sin agua. Se sobrecalentarán y se romperán.**



Monte siempre el disco de modo que la flecha coincida con el sentido de giro de la herramienta (hay una flecha de dirección en la protección del disco).

**ADVERTENCIA: no utilice jamás los discos para cortar materiales que no sean los previstos.**

## AFILAR UN DISCO PULIDO

Los discos de diamante pueden quedar pulidos (romos). Cuando los segmentos de diamante se pulen, la capacidad de corte del disco disminuye y los segmentos se sobrecalientan. Para volver a afilar el disco, reduzca el suministro de agua y realice algunos cortes en un material abrasivo muy suave, como ladrillo, diamante de óxido de alúmina o carburo de silicio.

## MONTAR EL DISCO

Asegúrese de que la herramienta esté desenchufada.

A continuación, utilice una llave combinada de 17 mm para enganchar el perno del eje y gire el eje mientras lo presiona contra el bloqueo del eje. Cuando el eje alcance la posición correcta, el bloqueo del eje se enganchará. Después, será posible aflojar el perno del eje y retirar la brida exterior.

La brida interior de esta herramienta es de 25,4 mm. Compruebe la brida interior para asegurarse de que el tamaño coincide con el orificio del disco.

Examine el disco antes de utilizarlo. No debe presentar grietas ni estar deformado o dañado de modo que pudiera suponer un peligro durante el funcionamiento. A velocidades elevadas, los segmentos de diamante sueltos pueden salir despedidos y causar lesiones. Compruebe siempre que los segmentos de diamante no estén rotos. Si los segmentos de diamante son más delgados o algo más delgados que el núcleo del disco, el corte será demasiado justo y podría producirse contragolpe.

Asegúrese de que las bridas y el núcleo del disco estén limpios y sin desperfectos, y de que todo encaje correctamente. Las bridas no se podrán utilizar si están deformadas, torcidas, si su superficie es desigual o si están sucias. El perno y las roscas del eje no deben presentar desperfectos. Compruebe que no haya desperfectos en los segmentos, en el orificio del eje o daños de otro tipo en los discos que pudieran suponer un peligro durante el funcionamiento.

El borde sobresaliente de la brida interior debe mirar hacia el disco. A continuación, monte la hoja en la brida interior e incorpore la brida exterior. Incorpore el perno del eje y apriételo entre 15 y 25 Nm.

**ADVERTENCIA: no trate de montar discos que no se correspondan con los elementos de montaje. Si lo hace, funcionarán de forma excéntrica y generarán vibraciones incontrolables.**

## AJUSTAR LA PROTECCIÓN DEL DISCO

El disco gira en el sentido de las agujas del reloj, observado desde el extremo del eje. Por lo tanto, la mayor parte de los restos de corte, las chispas y los lodos salen hacia la parte posterior. Así, la protección del disco se debe ajustar de modo que el eje posterior quede a ras con la pieza de trabajo.

## AJUSTAR

En primer lugar, tire de la palanca de bloqueo contra la tensión de resorte y, después, gire la protección del disco a la posición que desee. Deje que la palanca de bloqueo encaje en la ranura más próxima de la protección para bloquearla en posición.



## PROTECCIÓN ANTISALPICADURAS

La protección antisalpicaduras con resorte resulta útil para contener los lodos que salpican hacia atrás. Para instalarla, basta con encajarla en posición en la parte posterior de la protección del disco. Para retirarla, inclínala hacia delante.

Cuando la protección antisalpicaduras no sea necesaria, por ejemplo, al cortar en seco, deberá quitarla y dejarla a un lado. Enganche el conector macho con la solapa de la lengüeta hembra en el soporte. Desengánchela para quitarla.

## CONEXIÓN PARA EL AGUA

El agua es un requisito básico para esta herramienta y un elemento fundamental para refrigerar el motor y el convertidor. El agua actúa también a modo de refrigerante para evitar que la superficie de trabajo de los segmentos de diamante se sobrecaliente. El agua contribuye además a limitar el polvo y elimina las partículas abrasivas. El convertidor tiene dos conexiones para el agua. Conecte el suministro de agua a cualquiera de las conexiones del convertidor y, después, conecte la otra conexión con el motor empleando el conducto de acoplamiento de agua.



**PRECAUCIÓN: NO UTILICE JAMÁS ESTA HERRAMIENTA SIN CAUDAL DE AGUA TANTO EN EL CONVERTIDOR COMO EN EL MOTOR.**

**PRECAUCIÓN: AL UTILIZAR LA HERRAMIENTA EN CONDICIONES ATMOSFÉRICAS DE HELADA, ASEGÚRESE SIEMPRE DE DRENAR COMPLETAMENTE EL AGUA DEL MOTOR Y EL CONVERTIDOR DESPUÉS DEL USO. El agua congelada dentro de la herramienta puede provocar daños graves.**

La herramienta está diseñada para refrigerarse con agua, y se sobrecalentará con rapidez en caso de carecer de ella.

**ADVERTENCIA: examine todas las conexiones del sistema de alimentación de agua para asegurarse de que no haya fugas. Compruebe los conductos y otros componentes fundamentales que pudieran haberse deteriorado.**

**ADVERTENCIA: la presión máxima del agua no debe superar 4 bar.**

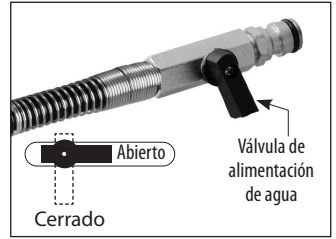
Utilice un colector de agua con un aspirador de humedad para recoger el agua de refrigeración si existe el riesgo de que objetos cercanos puedan sufrir daños debidos al agua.

El sistema de alimentación de agua está integrado en la herramienta.

Para conectarlo con el suministro de agua, tire del collar de liberación rápida a fin de quitar el acoplamiento hembra del conducto de agua.

A continuación, vuelva a conectar el acoplamiento para el agua con la válvula de suministro de agua. Presione hasta que encaje.

El caudal está controlado por la válvula de alimentación de agua. El agua del disco se puede ajustar con precisión en la cantidad deseada.

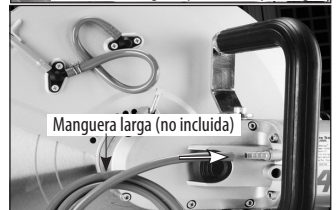


**NOTA: los contaminantes presentes en el suministro de agua pueden obstruir las toberas de agua de la protección del disco. Asegúrese de que el agua del suministro esté limpia. Si constata que no fluye agua al disco, limpie el sistema de alimentación de agua de la herramienta con aire comprimido.**

## SERRAR EN SECO

Para serrar en seco, el agua de refrigeración debe seguir fluyendo a través del convertidor y del motor.

Retire la manguera de agua original de la espiga de salida de agua del motor y conecte una manguera larga (no suministrada) a esta espiga. Esta manguera larga puede entonces redirigir el flujo de agua de refrigeración fuera del área de corte hacia un desagüe o cubo de recogida, etc.



## GRUPO DE RODILLOS GUÍA

Los rodillos guía permiten mantener el plano del disco perpendicular con respecto a la pieza de trabajo. Para montarlos, afloje ligeramente el perno mariposa y enganche las cuatro garras con los cuatro ojales en la parte inferior del alojamiento del motor; después, apriete el perno mariposa.



## INSTRUCCIONES DEL KIT PARA CORTE AL RAS

### INTRODUCCIÓN

El kit para corte al ras permite montar una hoja para corte al ras (no incluida) en la herramienta, lo que permite cortar al ras cuando se extraiga de manera provisional la protección exterior de la hoja.

## COMPONENTES

1. Brida para corte al ras
2. Perno de eje tipo allen y arandela
3. Tornillos de capuchón con cabeza plana (x6)
4. Llave allen M5
5. Llave allen M8
6. Cubierta de corte a ras y 7 tornillos de cabeza plana

## MONTAJE

Para el montaje del kit para corte al ras, retire primero el perno de eje estándar, las bridas y la hoja de acuerdo con el manual de instrucciones.

1. Retire la manguera del agua de la boquilla en la protección exterior de la hoja y conéctela a la otra boquilla en la protección interior de la hoja.
2. Retirar la cubierta antisalpicaduras y extraer los 7 tornillos que sujetan la cubierta del disco externo.
3. Abra los 3 cierres y enganche las solapas sueltas en los clips de plástico para evitar la vibración.
4. Levante la protección exterior de la cuchilla y colóquela en un lugar seguro.
5. Monte la brida para corte al ras en el husillo y asegúrela con la arandela y el perno del eje tipo allen. Enrosque el cierre del eje apretando con seguridad el perno del eje con la llave allen M8.

**ADVERTENCIA: ¡No utilice espaciadores ni bridas bajo la brida para corte al ras!**

6. Monte la hoja de corte al ras en la brida, alinee los orificios e inserte los tornillos de capuchón con cabeza plana. Apriete los tornillos con la llave allen M5 de manera uniforme y en diagonal.
7. Monte la cubierta de la sierra y apriete los 7 tornillos de cabeza plana.

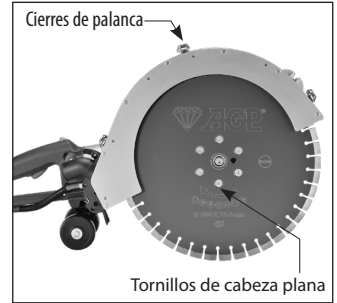
**ADVERTENCIA: No la ponga en funcionamiento si la cubierta de la sierra no está montada.**

8. Una vez se realice la actividad de corte al ras, vuelva a montar la sierra en su configuración de corte estándar.

**NOTA: Existe un margen de efectividad de aproximadamente 1 mm o menos (dependiendo del grosor de la hoja de diamante).**

Sin embargo, la protección de la hoja es algo flexible, por lo que si presiona ligeramente hacia abajo conseguirá un corte completamente preciso. Al realizar el corte se consigue una planitud perfecta. Debe haber un poco de margen para que la hoja no deje marcas de movimiento en el material de base en casos en los que sea importante. Por lo tanto, si quiere evitar esas marcas, no presione hacia abajo. Si quiere conseguir un corte totalmente preciso, ejerza fuerza hacia abajo.

**ADVERTENCIA: Utilice la sierra siempre con la protección exterior de la hoja colocada cuando realice cortes estándar. No utilice nunca la sierra sin la protección exterior de la hoja, excepto para cortes al ras.**



**ADVERTENCIA: Compruebe la fijación de los tornillos de montaje y de eje de manera periódica.**

**ADVERTENCIA: Si nota alguna vibración extraña durante la operación, deténgase inmediatamente y busque la causa antes de continuar.**

## PROTECCIÓN FRENTE A SOBRECARGA Y SOBRECALENTAMIENTO

### Piloto de advertencia de carga y sobrecarga

Siempre que el motor reciba corriente y funcione dentro de su intervalo de carga, el piloto de advertencia de carga brillará de color verde.

Cuando el motor funcione casi con la carga máxima, el piloto de advertencia de carga destellará en rojo. Si se supera la carga máxima y dicha situación se mantiene demasiado tiempo, el motor se desactivará y el piloto de advertencia de carga permanecerá en rojo. En dicho supuesto, es preciso apagar el motor y arrancarlo de nuevo.

**NOTA: Si el motor no arranca cuando se pulsa el interruptor:**

**A:** Si la lámpara parpadea en verde, existe un problema con el interruptor.

**B:** Si la lámpara se queda en verde fijo, existe un problema con el motor.

**NOTA: si utiliza corriente monofásica de 16 A, el usuario deberá tener mucho cuidado de no aplicar una fuerza excesiva. Es preciso observar el piloto de advertencia de carga y tratar de mantenerse dentro del intervalo verde. Una carga excesiva consumirá demasiada corriente y disparará el disyuntor.**



### Protección Térmica Contra Sobrecalentamiento

Si la temperatura del motor llega a ser excesiva, la protección térmica apaga el motor. Se debe apagar el interruptor y, después, arrancar de nuevo. En dicho supuesto, no comience a cortar de inmediato. Deje que fluya agua refrigerante por el motor durante unos minutos para recuperar una temperatura de funcionamiento normal antes de continuar.

## CONFIGURACIÓN

- Conecte el suministro del convertidor con el motor empleando el conducto de acoplamiento de agua.
- Conecte el convertidor con el suministro de agua.
- Compruebe si hay fugas de agua.
- Conecte el cable del acoplamiento del motor con el convertidor.
- Conecte el convertidor con el suministro de corriente.

## FUNCIONAMIENTO

- Cuando esté enchufado el cable del suministro de corriente del convertidor de alimentación, la tensión

suministrada se mostrará en la pantalla LCD.

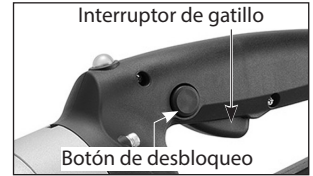
- Pulse el botón de encendido del convertidor de alimentación para suministrar corriente al motor. La pantalla LCD indicará «ON» y el piloto de advertencia de carga del motor se iluminará en verde. Esto indica que el motor tiene corriente y que se puede encender con el interruptor de activación.



## INTERRUPTOR

Para arrancar la herramienta, pulse el botón de desbloqueo y, después, el interruptor de activación.

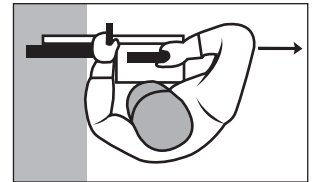
Para detener la herramienta, suelte el interruptor de activación y pulse el botón de encendido del convertidor de alimentación para interrumpir el suministro de corriente a la herramienta.



**PRECAUCIÓN: Mantenga los campos magnéticos fuertes alejados del interruptor y del área de la parte trasera del motor, los campos magnéticos fuertes podrían dañar estas partes de la herramienta.**

## CÓMO SUJETAR LA HERRAMIENTA

- Sujete siempre la herramienta con ambas manos, con la mano derecha en la empuñadura principal y la izquierda, en la empuñadura lateral (incluso si el usuario es zurdo).
- No se coloque directamente en línea con el disco. En lugar de ello, colóquese de modo que, en caso de contragolpe, no se encuentre usted en la trayectoria del disco.
- No se incline jamás sobre la trayectoria del disco. Si lo hace, se estaría situando en línea con el disco en caso de contragolpe.
- No corte por encima de la altura de los hombros.
- No corte jamás situado sobre una escalera u otra plataforma inestable.

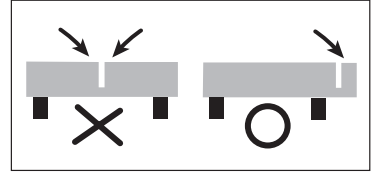


## ANTES DE CORTAR

- Examine la zona en la que va a realizar el corte para asegurarse de que no haya objetos que pudieran hacer que se tambalee.
- Antes de cortar, en ocasiones resulta útil marcar la línea de corte con tiza o similares. Para cortar en línea recta se puede utilizar una plancha de madera a fin de guiar la herramienta.
- Asegúrese de que todas las demás personas se encuentren a una distancia segura.
- Asegúrese de que todos los equipos de seguridad estén montados.

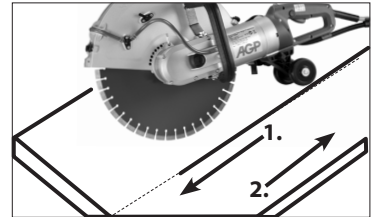
## APOYO CORRECTO DE LA PIEZA DE TRABAJO

- Apoye la pieza de trabajo de modo que el corte no presione el disco.
- Fije la pieza de trabajo de forma que no ruede ni se deslice o desplace debido a las vibraciones durante el corte.
- La secuencia de corte es importante a la hora de hacer recortes. Realice siempre el último corte de modo que el disco no se enganche. Es decir, que debe realizar los cortes horizontales inferiores primero, luego los laterales y, por último, el corte horizontal superior.
- Tome nota del peso de la pieza de trabajo y de la dirección en la que va a caer cuando termine de cortarla.
- Si el corte de la pieza de trabajo puede provocar una situación peligrosa, deje una parte del material intacta y termine la operación con un cincel o similar.



## TÉCNICA DE CORTE

- Sujetando la herramienta con ambas manos para resistir el par de arranque, pulse el botón de desbloqueo y apriete el interruptor de gatillo.
- Deje que la herramienta alcance la velocidad máxima antes de entrar en contacto con la pieza de trabajo.
- Ajuste el caudal de agua según sea necesario girando la válvula de suministro de agua.
- Después, comience a cortar con cuidado con la parte posterior del disco hasta establecer el corte. Realice el primer corte hacia delante (de modo que pueda ver la línea de corte). Realice los siguientes cortes hacia atrás.
- No trate de cortar a una profundidad excesiva en una única pasada. No supere jamás los 50 mm por pasada.
- Una buena idea consiste en cortar una ranura de guía poco profunda antes de proceder al corte principal. Si resulta precisa alguna corrección, levante el disco y corte algo más adelante para regresar después al corte existente. Procure evitar que se enganche el disco.
- En el caso de las piezas de trabajo redondas, la mejor técnica consiste en utilizar un movimiento lento y uniforme de adelante hacia atrás cortando con el cuadrante inferior del disco.
- No deje que la herramienta se atasque. Limite la presión que aplica para evitar que el disco pierda el control a gran velocidad.
- No aplique carga lateral sobre el disco en el corte.



## PARADA

Suelte el gatillo para detener la herramienta. Una vez haya soltado el gatillo, el disco seguirá girando durante unos instantes. Cuando la herramienta se haya detenido por completo, pulse el botón de encendido del convertidor de alimentación para interrumpir el suministro de corriente al motor.

**ADVERTENCIA: no pose la herramienta hasta que el disco haya dejado de girar.**

## MANTENIMIENTO Y LIMPIEZA

Esta herramienta funciona en entornos muy arduos.

Por lo tanto, es fundamental limpiarla a fondo después de cada uso para prolongar su vida útil.

## MANTENIMIENTO COTIDIANO

1. Mantenga la herramienta limpia.
2. Asegúrese de que el cable de acoplamiento del motor, los cables de suministro de corriente y los conductos de acoplamiento para el agua estén en buen estado.
3. Asegúrese de que todos los tornillos estén bien apretados.
4. Compruebe el estado de los dispositivos de seguridad, como la protección del disco.
5. Compruebe que el disco no presente daños.

Si es preciso sustituir el cable de suministro eléctrico, deberá ocuparse de ello el fabricante o un agente de este, a fin de evitar riesgos de seguridad.

**ADVERTENCIA: deben encomendarse todas las reparaciones a un centro autorizado. Las reparaciones realizadas de forma incorrecta pueden causar lesiones o la muerte.**

No deseche las herramientas eléctricas con la basura doméstica.

De conformidad con la Directiva 2002/96/CE sobre residuos de aparatos eléctricos electrónicos y su transposición a la legislación nacional, las herramientas eléctricas usadas se deben recoger por separado y reciclar de forma respetuosa con el medioambiente.

## CÓDIGOS DE LA PANTALLA LCD DEL CONVERTIDOR DE ALIMENTACIÓN

**OFF:** si el convertidor está enchufado, la pantalla mostrará la tensión de suministro. La tensión que se muestra dependerá de la tensión del suministro.

**ON:** si se pulsa el botón de encendido del convertidor, se alimentará la herramienta y la pantalla indicará «ON».



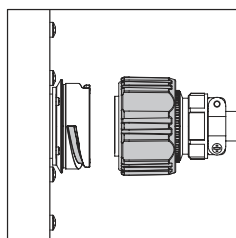
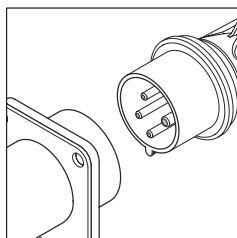
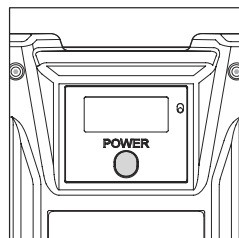
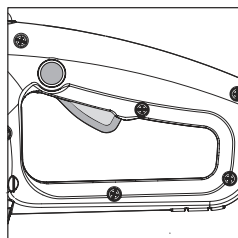
## ASISTENCIA PARA LA RESOLUCIÓN DE PROBLEMAS

**A:**  
Reinicie la herramienta apagando el interruptor y volviéndolo a encender

**B:**  
Reinicie el convertidor pulsando el botón de encendido en OFF y luego en ON.

**C:**  
Desenchufe y vuelva a enchufar el cable de alimentación del convertidor

**D:**  
Desenchufe y vuelva a enchufar el cable de acoplamiento (entre el convertidor y la herramienta)



## CÓDIGOS DE ERROR

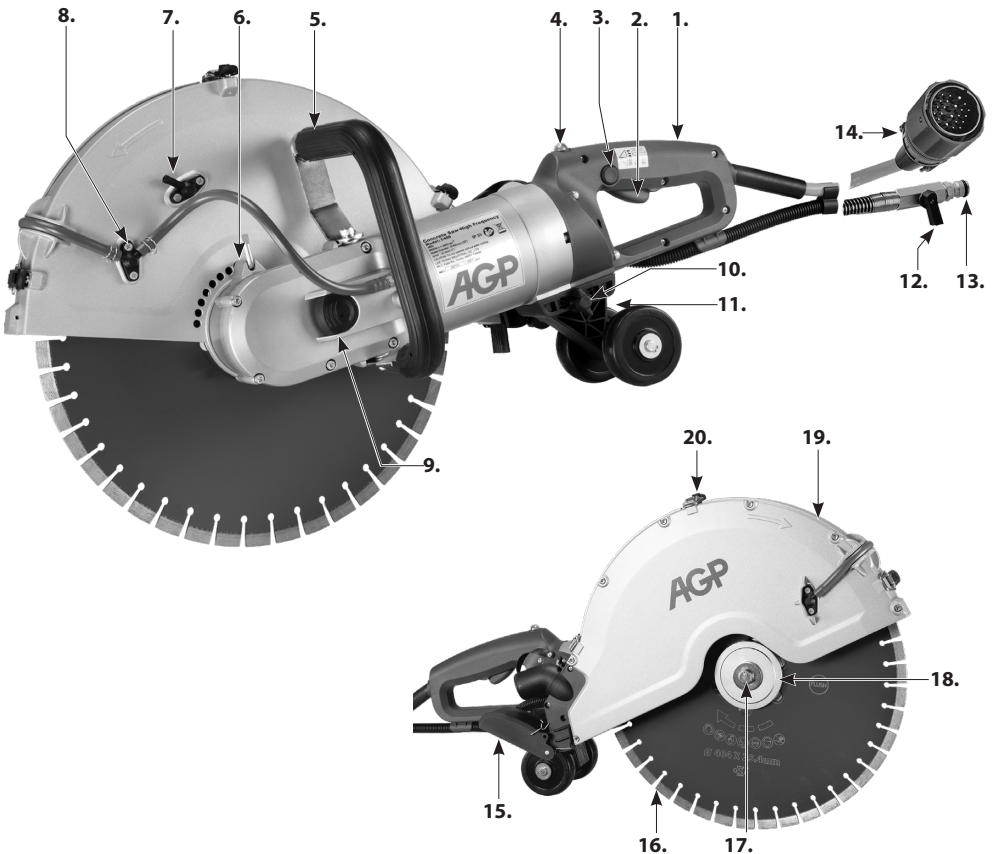
Código de error	Descripción	Acción correctiva	Explicación adicional
<b>8888</b>	Pérdida de comunicación entre la placa electrónica del motor, la placa electrónica del convertidor y el módulo LCD al encenderse	<b>D</b>	Compruebe la conexión del cable de acoplamiento
<b>E1</b>	Sobrecarga del convertidor	<b>A</b>	Apague y encienda de nuevo el interruptor de la herramienta
<b>E2</b>	Sobrecalentamiento del convertidor	<b>A</b>	Asegúrese de que fluya el agua. Cuando la temperatura vuelva a ser la normal, apague y encienda de nuevo el interruptor de la herramienta
<b>E3</b>	Tensión insuficiente	<b>A</b>	Cuando la tensión de suministro vuelva a ser la normal, apague y encienda de nuevo el interruptor de la herramienta
<b>E4</b>	Tensión excesiva	<b>A</b>	Cuando la tensión de suministro vuelva a ser la normal, apague y encienda el interruptor de la herramienta
<b>E5</b>	Tensión de retorno excesiva del freno del motor al convertidor	<b>B</b>	Pulse el botón de encendido del convertidor para desconectar la corriente y, después, vuelva a activarla (si el problema persiste, lleve la unidad a un centro autorizado para su reparación)
<b>E6</b>	Detección de fugas de corriente residual entre el convertidor y el suministro de tensión	<b>C</b>	Compruebe las conexiones y, a continuación, desenchufe y vuelva a enchufar el cable de alimentación y reinicie el convertidor. (Si el problema persiste, lleve la unidad a un centro de servicio autorizado para su reparación)

<b>E7</b>	Error del sensor de efecto Hall	<b>B</b>	Pulse el botón de encendido del convertidor para desconectar la corriente y, después, vuelva a activarla (si el problema persiste, lleve la unidad a un centro autorizado para su reparación)
<b>E8</b>	Sobrecalentamiento del motor	<b>A</b>	Asegúrese de que fluya el agua y espere 20 segundos. Después, apague y encienda de nuevo el interruptor de la herramienta (si la temperatura no baja lo suficiente transcurridos 20 segundos, espere más tiempo a que descienda al intervalo aceptable)
<b>E91</b>	Pérdida de comunicación entre la placa electrónica del convertidor y el módulo LCD durante el funcionamiento	<b>B</b>	Pulse el botón de encendido del convertidor para desconectar la corriente y, después, vuelva a activarla (si el problema persiste, lleve la unidad a un centro autorizado para su reparación)
<b>E92</b>	Pérdida de comunicación entre la placa electrónica del motor y el módulo LCD durante el funcionamiento	<b>B</b>	Compruebe la conexión del cable de acoplamiento. Después, apague y encienda de nuevo el interruptor de la herramienta (si el problema persiste, lleve la unidad a un centro autorizado para su reparación)
<b>E10</b>	Mala conexión del cable de suministro de corriente	<b>C</b>	Compruebe las conexiones del enchufe y del cable del suministro de corriente
<b>E11</b>	Fugas de corriente entre el convertidor y la herramienta	<b>C</b>	Compruebe las conexiones y pulse el botón de encendido del convertidor para desconectar la corriente y, después, vuelva a activarla (si el problema persiste, lleve la unidad a un centro autorizado para su reparación)
<b>E12</b>	Mala conexión del cable de suministro de corriente trifásica	<b>C</b>	Compruebe las conexiones del enchufe y del cable del suministro de corriente
<b>E15</b>	Problema interno en el circuito de la tarjeta electrónica del convertidor	<b>C</b>	Pulse el botón de encendido del convertidor para desconectar la corriente y, después, vuelva a activarla (si el problema persiste, lleve la unidad a un centro autorizado para su reparación)
<b>E16</b>	No hay señal del sensor de temperatura del motor	<b>A</b>	Apague y encienda de nuevo el interruptor de la herramienta (si el problema persiste, lleve la unidad a un centro autorizado para su reparación)
<b>E17</b>	Sensor de temperatura del motor cortocircuitado	<b>A</b>	Apague y encienda de nuevo el interruptor de la herramienta (si el problema persiste, lleve la unidad a un centro autorizado para su reparación)

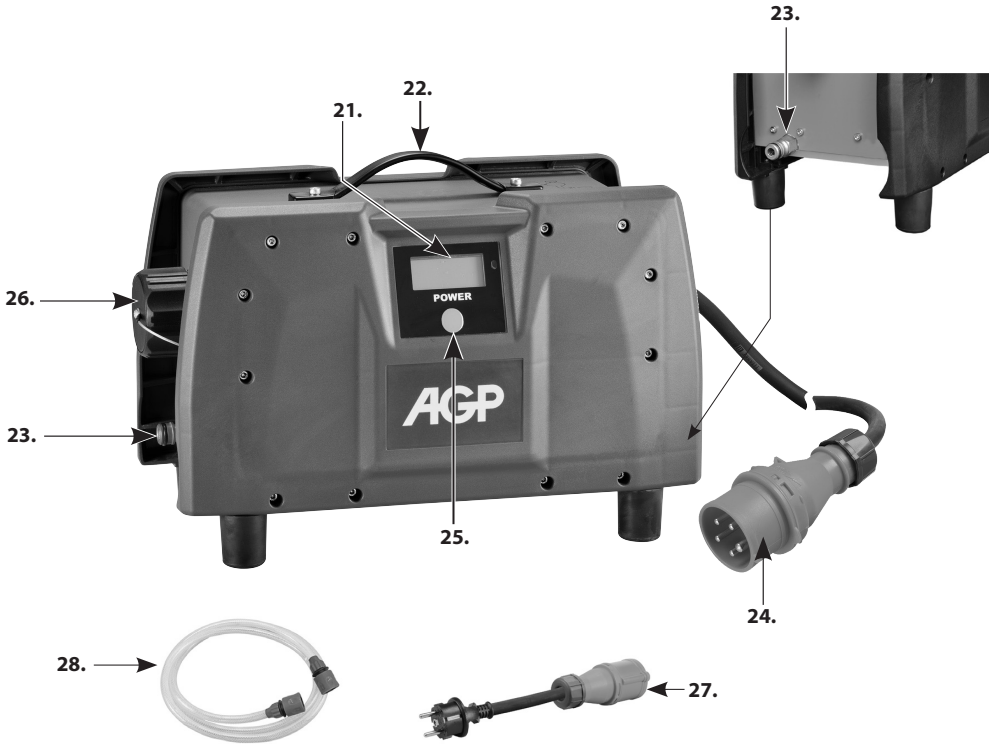
**SPECIFICHE**

<b>Troncatrice per calcestruzzo ad alta frequenza</b>		<b>Convertitore di potenza</b>
Potenza:		Potenza assorbita (massima)
1 Ø~ 200-240 V	5 500 W (32 A), 3600W (16 A)	32 A
3 Ø~220-240 V	5 500 W	25 A
3 Ø~380-480 V	6 600 W	16 A
Giri/min a vuoto	3 900 / Min	-
Velocità lineare con lama da	82.9 m/s	-
Diametro lama	406 mm (16")	-
Albero	25.4 mm (1")	-
Min. Spessore anima lama	1,7 mm (0,067")	-
Max. Spessore anima lama	4,3 mm (0,169")	-
Profondità di taglio max.	150 mm (6")	-
Flusso d'acqua min. (25 °C)	-	3.5 L/min (1 gpm)
Pressione dell'acqua max.	-	7 bar (100 psi)
Dimensioni (L x P x A)	780 x 260 x 300 mm	460 x 220 x 260 mm
Peso	10.5 kg (23.1 lb)	7.1 kg (15.6 Lbs)

**High Frequency Concrete Saw**



## Power Converter



- |   |  |
|---|--|
| 1. Impugnatura principale               | 16. Lama diamantata                        |
| 2. Grilletto                            | 17. Bullone albero                         |
| 3. Pulsante di sblocco                  | 18. Flangia esterna                        |
| 4. Spia di carico                       | 19. Protezione lama                        |
| 5. Impugnatura laterale                 | 20. Chiusure a leva                        |
| 6. Leva di bloccaggio protezione lama   | 21. Display LCD                            |
| 7. Ugello di alimentazione alternativo  | 22. Convertitore di potenza                |
| 8. Ugello di alimentazione acqua        | 23. Ingresso/uscita di alimentazione acqua |
| 9. Pulsante di bloccaggio albero        | 24. Cavo di alimentazione                  |
| 10. Bullone a farfalla                  | 25. Pulsante di accensione                 |
| 11. Gruppo rulli di guida               | 26. Presa di collegamento motore           |
| 12. Valvola di alimentazione dell'acqua | 27. Cavo adattatore monofase (optional)    |
| 13. Raccordo acqua                      | 28. Tubo flessibile di raccordo acqua      |
| 14. Cavo di collegamento motore         |  |
| 15. Paraspruzzi                         |  |

## NORME DI SICUREZZA GENERALI



**AVVERTENZA! Leggere tutte le istruzioni e le avvertenze di sicurezza.** Il mancato rispetto delle avvertenze e delle istruzioni può causare il rischio di folgorazione, incendio e/o lesioni gravi.

**Conservare tutte le avvertenze e le istruzioni per consultazioni future.**

Il termine “utensile (elettrico)” presente nelle avvertenze si riferisce al presente utensile elettrico alimentato dalla rete (dotato di cavo) o all’utensile elettrico a batteria (privo di cavo).

### 1. SICUREZZA DELL’AREA DI LAVORO

- a. **L’area di lavoro deve essere pulita e ben illuminata.** Le zone d’ombra e il disordine facilitano gli incidenti.
- b. **Non utilizzare gli utensili elettrici in atmosfere esplosive, ad esempio in presenza di liquidi infiammabili, gas o polvere.** Gli utensili elettrici generano scintille, che possono incendiare la polvere o i fumi.
- c. **Durante l’utilizzo di un utensile elettrico, tenere lontani i bambini e le persone presenti.** La distrazione può causare una perdita di controllo.
- d. **Non lasciare mai incustodito l’utensile elettrico.** Abbandonare il dispositivo soltanto quanto l’utensile in uso si è fermato completamente.

### 2. SICUREZZA ELETTRICA

- a. **Le spine degli utensili devono corrispondere all’uscita. Non modificare mai la spina in nessun modo. Non utilizzare degli adattatori di connessione in caso di utensili elettrici (dotati di messa a terra).** L’utilizzo delle spine originali nelle uscite corrispondenti riduce il rischio di folgorazione.
- b. **Evitare che il corpo entri in contatto con superfici dotate di messa a terra, quali tubi, radiatori, fornelli e frigoriferi.** Se il corpo entra in contatto con la messa a terra aumenta il rischio di folgorazione.
- c. **Non lasciare gli utensili elettrici esposti alla pioggia o a condizioni d’umidità.** La penetrazione d’acqua nell’utensile aumenta il rischio di folgorazione.
- d. **Non utilizzare il cavo in maniera errata. Non utilizzare mai il cavo per trasportare, tirare o scollegare l’utensile. Mantenere il cavo lontano da fonti di calore, olio, bordi taglienti o parti in movimento.** Cavi danneggiati o aggrovigliati aumentano il rischio di folgorazione.
- e. **Quando si lavora con un utensile elettrico all’aperto, utilizzare una prolunga adatta a tale scopo.** L’uso di un cavo adatto ai lavori all’aperto riduce il rischio di folgorazione.
- f. **Se non si può evitare di lavorare con un utensile elettrico in una zona umida, utilizzare un’alimentazione protetta da interruttore differenziale (RCD).** L’utilizzo di un interruttore differenziale (RCD) riduce il rischio di folgorazione.

### 3. SICUREZZA PERSONALE

- a. **Rimanere vigili, prestare attenzione a ciò che si sta facendo e usare buon senso quando si utilizza un utensile elettrico.** Non utilizzare un utensile elettrico se si è stanchi o sotto l'effetto di droghe, alcol o in momento di disattenzione durante l'uso degli utensili elettrici può causare lesioni personali gravi.
- b. **Utilizzare i dispositivi di protezione individuale. Indossare sempre le protezioni per gli occhi.** I dispositivi di protezione, ad esempio maschera antipolvere, calzature antinfortunistiche con suola antiscivolo, elmetto o protezioni per l'udito, utilizzati per le condizioni specifiche, riducono le lesioni personali.
- c. **Impedire un avviamento accidentale. Assicurarsi che l'interruttore sia nella posizione OFF prima di collegare l'alimentazione elettrica e/o il pacco batterie, così come prima di raccogliere o trasportare l'utensile.** Trasportare gli utensili elettrici con il dito sull'interruttore o mettere in tensione gli utensili con l'interruttore impostato su ON è causa di incidenti.
- d. **Prima di avviare l'utensile elettrico, rimuovere eventuali chiavi di regolazione.** Una chiave lasciata attaccata a una parte rotante dell'utensile elettrico può causare lesioni personali.
- e. **Non sporgersi eccessivamente. Mantenere sempre l'equilibrio e l'adeguato appoggio dei piedi.** In questo modo si può controllare meglio l'utensile in caso di situazioni impreviste.
- f. **Indossare un abbigliamento adeguato. Non indossare abiti larghi o gioielli. Tenere i capelli e gli indumenti lontano dalle parti in movimento.** Abiti larghi, gioielli o capelli lunghi possono impigliarsi nelle parti in movimento.
- g. **Se i dispositivi sono dotati di collegamento per accessori di aspirazione e raccolta della polvere, assicurarsi che siano collegati e utilizzati in maniera corretta.** La raccolta della polvere può ridurre i pericoli legati alla stessa.
- h. **Non lasciare che la familiarità acquisita grazie all'uso frequente degli utensili vi renda meno attenti ignorando i principi di sicurezza degli utensili.** Un'azione disattenta può causare lesioni gravi nella frazione di un secondo.

### 4. USO E MANUTENZIONE DEGLI UTENSILI ELETTRICI

- a. **Non forzare l'utensile. Utilizzare l'utensile corretto in base all'applicazione specifica.** L'utensile corretto eseguirà meglio il lavoro e con maggiore sicurezza, alla velocità prevista di progettazione.
- b. **Non utilizzare l'utensile se l'interruttore di accensione/spengimento non funziona.** Un utensile che non può essere comandato mediante l'interruttore è pericoloso e va riparato.
- c. **Scollegare la spina dalla fonte di alimentazione elettrica e/o il pacco batterie dall'utensile prima di eseguire eventuali regolazioni, di cambiare gli accessori o di riporre l'utensile.** Tali misure di sicurezza preventiva riducono il rischio di avviamento accidentale dell'utensile.
- d. **Conservare gli utensili elettrici spenti fuori dalla portata dei bambini e non lasciare che vengano utilizzati da persone che non li conoscono o che non hanno consultato le presenti istruzioni.** Gli utensili elettrici sono pericolosi se utilizzati da persone inesperte.
- e. **Eeguire la manutenzione degli utensili elettrici e degli accessori. Controllare l'eventuale presenza di parti disallineate o di parti in movimento inceppate, danneggiate e qualsiasi altra condizione che possa influire sul funzionamento dell'utensile. In caso di danni, far riparare l'utensile prima di utilizzarlo.** Molti infortuni sono causati da utensili soggetti a una manutenzione insufficiente.
- f. **Gli utensili da taglio devono essere sempre affilati e puliti.** Gli utensili da taglio soggetti a una

manutenzione corretta e dotati di bordi taglienti sono più facili da controllare ed è più improbabile che si inceppino.

- g. Utilizzare l'utensile elettrico, gli accessori e le relative punte, ecc. in conformità alle presenti istruzioni, tenendo presente le condizioni di lavoro e le opere da eseguire.** L'utilizzo dell'utensile elettrico per operazioni diverse da quelle previste potrebbe causare una situazione pericolosa.
- h. Le impugnature e le superfici di presa devono essere sempre asciutte, pulite e prive d'olio e grasso.** Impugnature scivolose non consentono di utilizzare e controllare l'utensile in sicurezza in caso di situazioni impreviste.

## 5. ASSISTENZA

**L'assistenza per l'utensile elettrico è stata fornita da un riparatore qualificato utilizzando soltanto gli stessi pezzi di ricambio?** In questo modo viene garantita la sicurezza dell'utensile.

### Simboli utilizzati nel manuale

V.....volt

A.....ampere

Hz.....hertz

W.....watt

~.....corrente alternata

n .....velocità nominale

min<sup>-1</sup>.....giri o moto alternativo al minuto

1∅.....Corrente monofase

3∅.....Corrente trifase



...con messa a terra elettrica



.....avvertenza di pericolo generico



.....leggere le presenti istruzioni



.....indossare sempre le protezioni per gli occhi



.....indossare sempre una maschera antipolvere.



.....indossare sempre le protezioni per l'udito



.....indossare un elmetto omologato



.....PERICOLO! Tenere le mani lontano dalla zona di taglio e dalla lama.



non smaltire gli utensili elettrici, gli accessori e gli imballaggi insieme ai rifiuti domestici



.....Utilizzare sempre il raffreddamento ad acqua

## Avvertenze di sicurezza relative al dispositivo di taglio

- **La protezione fornita assieme all'utensile deve essere fissata saldamente allo stesso, posizionandola per ottenere la massima sicurezza, in modo da esporre il disco il meno possibile verso l'operatore. L'operatore e le persone presenti devono rimanere lontani dal piano del disco rotante.** La protezione consente di proteggere l'operatore da frammenti del disco e dal contatto accidentale con il disco.
- **Con l'utensile in questione, utilizzare soltanto dei dischi da taglio diamantati.** Il semplice fatto che un accessorio possa essere fissato all'utensile non garantisce un funzionamento sicuro.
- **La velocità nominale dell'accessorio deve essere pari ad almeno la velocità massima indicata sull'utensile.** Gli accessori che vengono utilizzati a una velocità superiore a quella nominale possono rompersi, con proiezione di schegge.
- **I dischi devono essere utilizzati unicamente per le applicazioni consigliate. Ad esempio: non eseguire la smerigliatura mediante il lato del disco da taglio.** I dischi da taglio abrasivi sono progettati per la smerigliatura periferica, le forze laterali applicate a tali dischi possono frantumarli.
- **Utilizzare sempre delle flange integre di diametro corretto per il disco selezionato.** Le flange corrette sostengono il disco, riducendo quindi la possibilità di rottura dello stesso.
- **Non utilizzare dei dischi rinforzati usurati provenienti da utensili elettrici più grossi.** I dischi progettati per utensili elettrici più grossi non sono adatti alla maggiore velocità di un utensile più piccolo e potrebbero esplodere.
- **Il diametro esterno e lo spessore dell'accessorio devono rispettare la potenza nominale dell'utensile.** Accessori di dimensioni errate non possono essere controllati o protetti adeguatamente.
- **Le dimensioni dell'albero dei dischi e delle flange devono essere adeguate al mandrino dell'utensile.** I dischi e le flange dotati di fori albero che non corrispondono alla ferramenta di montaggio dell'utensile causeranno uno squilibrio, vibreranno eccessivamente, con possibile perdita di controllo.
- **Non utilizzare dei dischi danneggiati. Prima di ogni utilizzo, controllare l'eventuale presenza di schegge e spaccature nei dischi. In caso di caduta dell'utensile elettrico o del disco, controllare l'eventuale presenza di danni o installare un disco integro. Dopo aver controllato e installato il disco, l'operatore e le persone presenti devono rimanere lontani dal piano del disco rotante; lasciar funzionare l'utensile alla velocità massima senza carico per 1 minuto.** I dischi danneggiati normalmente vanno in pezzi durante questo periodo di prova.
- **Indossare i dispositivi di protezione individuale. In base all'applicazione specifica, utilizzare maschera facciale, occhiali di sicurezza o di protezione. In base alla situazione specifica, indossare maschera antipolvere, protezioni per l'udito, guanti e grembiule professionale in grado di proteggere da piccoli frammenti abrasivi o provenienti dai pezzi da lavorare. Le protezioni per gli occhi devono essere in grado di arrestare detriti volanti generati da varie operazioni.** La maschera antipolvere o il respiratore deve essere in grado di filtrare le particelle generate dall'operazione in corso. Un'esposizione prolungata a rumori ad alta intensità può causare la perdita dell'udito.
- **Le persone presenti devono rimanere a una distanza di sicurezza dall'area di lavoro. Chiunque acceda all'area di lavoro deve indossare i dispositivi di protezione individuale.** I frammenti del pezzo da lavorare o di un accessorio danneggiato possono essere proiettati a distanza, causando lesioni oltre l'area di lavoro nelle immediate vicinanze.
- **Quando si eseguono operazioni in cui gli accessori di taglio possono entrare in contatto con cablaggi nascosti o con il filo dello stesso utensile, afferrarlo soltanto mediante le impugnature in materiale isolante.** Qualora l'accessorio di taglio entrasse in contatto con un filo sotto tensione, le parti



metalliche esposte dell'utensile potrebbero essere messe in tensione, con conseguente folgorazione dell'operatore.

- **Posizionare il cavo lontano dall'accessorio rotante.** In caso di perdita di controllo, il cavo potrebbe tagliarsi o strapparsi, trascinando la mano o il braccio dell'operatore nel disco rotante.
- **Appoggiare l'utensile soltanto quando l'accessorio si è arrestato completamente.** Il disco rotante può afferrare la superficie, rendendo l'utensile impossibile da controllare.
- **Non avviare l'utensile mentre viene trasportato sul fianco.** Il contatto accidentale con l'accessorio rotante potrebbe lacerare gli abiti, fino a entrare in contatto col corpo.
- **Pulire regolarmente le prese d'aria dell'utensile.** La ventola del motore aspira la polvere all'interno dell'alloggiamento; un accumulo eccessivo di polvere metallica può causare pericoli di natura elettrica.
- **Non utilizzare l'utensile nelle vicinanze di materiali infiammabili.** Le scintille potrebbero infiammare tali materiali.

## CONTRACCOLPO E RELATIVE AVVERTENZE

- **Un contraccolpo è una reazione improvvisa in caso di disco rotante danneggiato, con conseguente spegnimento rapido del disco rotante che, a sua volta, forza l'utensile fuori controllo nella direzione opposta alla rotazione del disco nel punto di inceppamento.** Ad esempio, se un disco abrasivo viene danneggiato dal pezzo da lavorare, il bordo del disco che entra nella zona critica può infossarsi nella superficie del materiale, facendo fuoriuscire il disco. Il disco può saltare verso o lontano dall'operatore in base alla direzione di movimento del disco stesso nella zona critica. In queste condizioni i dischi abrasivi possono anche rompersi. Un contraccolpo viene causato da un utilizzo errato dell'utensile e/o da condizioni o procedure di lavoro errate, e si può evitare mediante le precauzioni corrette indicate qui di seguito.
- **Mantenere una presa salda sull'utensile, quindi posizionare il corpo e il braccio in modo da contrastare le forze di contraccolpo. Durante l'avviamento, utilizzare sempre l'impugnatura supplementare, se presente, per ottenere il massimo controllo sulle forze di reazione o di contraccolpo.** Se vengono applicate le precauzioni corrette, l'operatore può controllare le forze di reazione o di contraccolpo.
- **Non avvicinare mai la mano all'accessorio rotante.** L'accessorio può rinculare sulla mano.
- **Non assumere una posizione in cui il corpo sia allineato al disco rotante.** Il contraccolpo spinge l'utensile nella direzione opposta al movimento del disco nel punto di strappo.
- **Prestare la massima attenzione quando si lavorano angoli, bordi taglienti, ecc. Evitare di far saltellare e di danneggiare l'accessorio.** Angoli, bordi taglienti o saltelli tendono a danneggiare l'accessorio rotante, causando la perdita di controllo o un contraccolpo.
- **Non fissare una catena tagliente, una lama per l'intaglio del legno o un disco diamantato segmentato avente una distanza periferica superiore a 10 mm o una lama da sega dentata.** Tali lame creano frequenti contraccolpi e la perdita di controllo.
- **Non "bloccare" il disco da taglio e non applicare una pressione eccessiva. Non tentare di eseguire un taglio di profondità eccessiva.** Una sollecitazione eccessiva del disco aumenta il carico e la predisposizione dello stesso ad attorcigliarsi o a incepparsi durante il taglio e la possibilità di contraccolpo o rottura dello stesso.
- **Se il disco si inceppa o in caso di interruzione del taglio per qualsiasi ragione, spegnere l'utensile e tenerlo fermo fino all'arresto completo del disco. Non tentare mai di rimuovere il disco dal taglio**

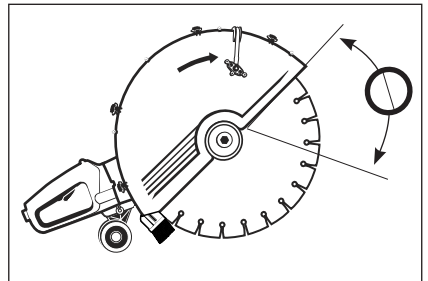
**mentre è in movimento, in caso contrario potrebbe essere soggetto a contraccolpo.** Controllare e applicare un'azione correttiva per eliminare la causa di inceppamento del disco.

- **Non riprendere l'operazione di taglio sul pezzo da lavorare. Lasciare che il disco raggiunga la piena velocità e, prestando attenzione, inserirlo nuovamente nel taglio.** Se l'utensile viene riavviato nel pezzo da lavorare, il disco può incepparsi, spostarsi in alto o rinculare.
- **Sostenere i pannelli o qualsiasi pezzo da lavorare voluminoso per ridurre al minimo il rischio di contraccolpo e danneggiamento del disco.** I pezzi da lavorare di grandi dimensioni tendono ad abbassarsi sotto il loro stesso peso. I sostegni devono essere collocati al di sotto del pezzo da lavorare accanto alla linea di taglio e al bordo del pezzo, su entrambi i lati del disco.
- **Prestare la massima attenzione quando si esegue un "taglio a tasca" in pareti esistenti o altre zone cieche.** Il disco sporgente può tagliare le tubazioni del gas o dell'acqua, cavi elettrici o oggetti che possono causare un contraccolpo.

## AVVERTENZE DI SICUREZZA RELATIVE AL DISPOSITIVO DI TAGLIO - ALTRE NORME DI SICUREZZA

**AVVERTENZA:** evitare il taglio nel quadrante superiore della lama, soprattutto all'inizio dell'operazione. È altamente probabile che la zona in questione provochi un contraccolpo.

**AVVERTENZA:** qualora si debba tagliare della plastica, fare in modo che quest'ultima non si sciogla. La plastica sciolta può aderire alla lama e causare un contraccolpo.



## COLLEGAMENTO ELETTRICO

La tensione di rete deve essere conforme alla tensione indicata sulla targhetta dell'utensile. L'utensile non deve mai essere utilizzato qualora venga riscontrato il danneggiamento del cavo di alimentazione. Il cavo danneggiato deve essere sostituito immediatamente da un Centro assistenza autorizzato. Non tentare di riparare autonomamente il cavo danneggiato. L'utilizzo di cavi di alimentazione danneggiati può provocare folgorazioni.

**ATTENZIONE:** Questo strumento deve sempre essere messo a terra (messa a terra). Se la presa non ha un collegamento a terra, la spina di alimentazione deve essere messa a terra separatamente. Il funzionamento senza messa a terra aumenterà il rischio di scosse elettriche, gravi lesioni personali e/o morte.

**AVVERTENZA:** non mettere mai in funzione un dispositivo danneggiato. Segnalare sempre che il dispositivo è danneggiato e metterlo fuori servizio fino alla relativa riparazione.

Il convertitore di potenza viene collegato al motore mediante un apposito cavo. Per eseguire il collegamento, svitare il tappo, allineare le linguette, premerle e avvitarle sull'anello. Prestare attenzione a non piegare i perni. Quando non si utilizza, il tappo deve rimanere installato. Non modificare questa spina in nessun modo.

## ALIMENTAZIONE TRIFASE

Possibilmente, per ottenere le massime prestazioni, il convertitore di potenza deve ricevere un'alimentazione trifase compresa tra 380 V e 480 V. Se la spina non corrisponde alla presa disponibile, un elettricista qualificato può montarne una corretta.

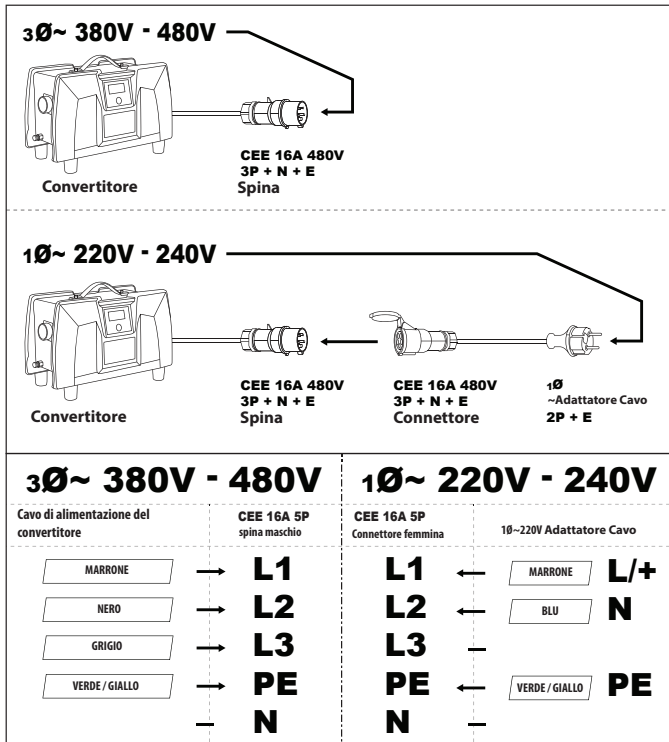
## ALIMENTAZIONE MONOFASE

Nei casi in cui non sia disponibile un'alimentazione trifase, questo dispositivo può ricevere anche un'alimentazione monofase compresa tra 220 V e 240 V per essere utilizzato a una potenza leggermente ridotta. Utilizzare il cavo adattatore monofase. Se si utilizza il cavo adattatore monofase, la corrente viene limitata a 16 A.

Se è necessaria una potenza maggiore ed è disponibile un interruttore da 32 A o superiore, la spina principale può essere rimossa, e il cavo di alimentazione principale del convertitore può essere collegato direttamente all'interruttore. In questo caso, collegare i cavi L1 e L2 all'interruttore, lasciando scollegato il cavo L3. Dopo di ciò, collegare il cavo di messa a terra (massa) al relativo raccordo.

**NOTA: la suddetta operazione può essere eseguita soltanto da un elettricista qualificato.**

## COLLEGAMENTI DELL'ALIMENTAZIONE ELETTRICA: TRIFASE E MONOFASE



## INTRODUZIONE

Questa macchina è un utensile speciale ad alta frequenza PMSM (motore sincrono a magneti permanenti) che deve essere usato insieme al suo convertitore di potenza ad alta frequenza per la sua alimentazione.

Questo convertitore prende un'alimentazione da 220 a 480V, 50Hz o 60Hz, monofase o trifase e la converte in alta frequenza per l'uso con il motore. Il collegamento tra il convertitore e il motore avviene tramite un cavo di accoppiamento del motore con una spina speciale. Il convertitore ha una spina di alimentazione trifase e una spina di adattamento monofase per l'uso con alimentazione monofase. Le prestazioni massime si ottengono utilizzando un'alimentazione trifase da 380V a 480V. Le prestazioni saranno ridotte quando si usa un'alimentazione trifase o monofase da 220V a 240V a causa delle limitazioni della corrente elettrica.

Il presente dispositivo è dotato di 2 impugnature e di 1 protezione della lama, così come di 1 impianto integrato di alimentazione dell'acqua necessario per il raffreddamento e il taglio con lama diamantata. Il convertitore di potenza è dotato di un interruttore differenziale (RCD) integrato per la sicurezza elettrica, così come di protezione da sovraccarico, termica, di sottotensione e sovratensione. Si deve utilizzare soltanto con una lama diamantata. È stato progettato per il taglio di muratura, pietra, calcestruzzo, cemento armato e materiali simili. Ogni altro uso è severamente vietato.

## ELENCO DEI CONTENUTI

- Troncatrice per calcestruzzo
- Convertitore di potenza
- Tubo flessibile di raccordo acqua
- Cavo adattatore monofase
- Gruppo rulli di guida
- Chiave universale M17
- Paraspruzzi
- Kit di taglio a filo

## ASSEMBLAGGIO

- Montare la lama (consultare la sezione "Montaggio della lama" riportata sotto).
- Montare il gruppo rulli di guida, se del caso (consultare la sezione "Gruppo rulli di guida" riportata sotto)
- Montare il paraspruzzi (consultare la sezione "Paraspruzzi" riportata sotto per le istruzioni relative all'assemblaggio)

## LAME DIAMANTATE

### TIPI DI LAME CONSENTITI

Questo dispositivo può utilizzare unicamente lame diamantate

- Utilizzare esclusivamente lame diamantate a bordo segmentato o continuo.

- Se le lame diamantate sono segmentate, la distanza periferica massima consentita tra i segmenti è di 10 mm e le lame devono essere caratterizzate da un angolo di spoglia negativo.
- Si possono utilizzare esclusivamente lame diamantate delle dimensioni massime di 457 mm (18").
- Lo spessore della lama deve essere di almeno 2,4 mm (0,095") e non superiore a 6,35 mm (0,250").
- Lo spessore del nucleo della lama deve essere di almeno 1,7 mm (0,067") e non superiore a 4,3 mm (0,169").

## IMMAGAZZINAMENTO E TRASPORTO DELLE LAME

Non immagazzinare o trasportare il dispositivo con la lama montata. Quando il dispositivo non viene utilizzato, rimuovere la lama e immagazzinarla in modo tale che sia protetta al fine di evitare che si pieghi o che venga in qualche modo danneggiata.

Un eventuale danneggiamento della lama può essere causa di condizioni irregolari, che a loro volta possono provocare uno squilibrio e costituire un pericolo. Esaminare sempre le lame nuove al fine di verificare che non vi siano danni dovuti all'immagazzinamento o al trasporto.

## INFORMAZIONI SULLE LAME DIAMANTATE

Le lame diamantate sono costituite da un'anima in acciaio e presentano segmenti diamantati lungo la relativa periferia.

Sono disponibili lame diamantate per le varie durezze di muratura, pietra, calcestruzzo, cemento armato, ecc. Alcune lame diamantate sono progettate per essere utilizzate esclusivamente a umido, mentre altre sono progettate per poter essere utilizzate anche a secco. Questo dispositivo deve essere sempre utilizzato con l'acqua, poiché serve per raffreddare il motore e il convertitore. In generale, anche se la lama è stata concepita per essere utilizzata a secco, gli utensili diamantati funzionano sempre meglio a umido: l'acqua impedisce il surriscaldamento della lama, riduce significativamente la quantità di polveri nocive prodotte durante l'operazione di taglio, rimuove la fanghiglia dal taglio e, allo stesso tempo, aumenta la vita della lama.

I segmenti impregnati di diamanti funzionano in base al principio di erosione controllata. La matrice legante che tiene i diamanti viene consumata in continuazione per effetto dell'abrasione contro il pezzo da lavorare, esponendo i diamanti più duri in modo che sporgano dalla matrice legante. Le lame realizzate per tagliare materiali più duri presentano un legame più debole, che consente ai diamanti di sporgere in maniera più aggressiva (ma con una durata inferiore). Le lame realizzate per tagliare materiali più morbidi e abrasivi presentano un legame più forte, che consente loro di resistere all'abrasività del materiale e di durare più a lungo. Un'erosione insufficiente della matrice legante (i diamanti non vengono esposti) porta allo smussamento della lama. Questo fenomeno è denominato vetrificazione. Se la lama non è più in grado di tagliare, è vetrificata. Consultare la sezione riportata sotto: **"Affilatura di una lama vetrificata"**

Non effettuare mai dei movimenti bruschi per evitare di danneggiare la lama. Al contrario, non applicare una pressione di alimentazione insufficiente al fine di evitare la vetrificazione dei segmenti diamantati. Fare in modo che la lama lavori in maniera stabile.

Fare molta attenzione a tenere la lama allineata perpendicolarmente rispetto al solco. Se la lama è storta, si può inceppare con facilità. Nel tagliare il cemento armato, prestare particolare attenzione qualora si incontrino degli elementi in acciaio incorporati. Ridurre la pressione di alimentazione di circa 1/3 e lasciare che la lama proceda al proprio ritmo; una quantità eccessiva di vibrazioni può provocare la distruzione della lama. Una volta superata la parte in acciaio, continuare normalmente.

**NOTA: non utilizzare mai una lama diamantata a umido senza acqua, al fine di evitarne il surriscaldamento e la distruzione.**

Montare sempre la lama in modo tale che la freccia corrisponda alla direzione di rotazione del dispositivo (la freccia di direzione è indicata sulla protezione della lama).

**AVVERTENZA: non utilizzare mai le lame per tagliare materiali diversi da quelli previsti.**

## **AFFILATURA DI UNA LAMA VETRIFICATA**

Le lame diamantate possono vetrificarsi (smussarsi). Quando i segmenti diamantati si vetrificano, le prestazioni di taglio della lama si deteriorano e i segmenti si surriscaldano. Per riaffilare la lama, abbassare l'alimentazione dell'acqua ed effettuare alcuni tagli in un materiale estremamente morbido e abrasivo come un mattone o una pietra rinvivitrice in ossido di alluminio o carburo di silicio.

## **MONTAGGIO DELLA LAMA**

Innanzitutto, assicurarsi che il dispositivo sia staccato dalla corrente.

Poi, utilizzando la chiave universale da 17 mm, innestare il bullone dell'albero e ruotare l'albero premendo allo stesso tempo il relativo bloccaggio. Quando l'albero raggiunge la posizione corretta, il relativo bloccaggio può innestarsi. Dopo di ciò, il bullone dell'albero può essere allentato e la flangia piatta esterna può essere rimossa. La flangia interna del presente dispositivo misura 25,4 mm (1"). Assicurarsi che le dimensioni della flangia interna combacino con il foro della lama.

Esaminare la lama prima dell'uso. Non deve essere spaccata, deformata o danneggiata in modo tale da costituire un pericolo durante il funzionamento. Eventuali segmenti diamantati allentati possono essere espulsi ad alta velocità, costituendo così una potenziale fonte di lesioni. Controllare sempre che i segmenti diamantati non presentino delle rientranze. Se i segmenti diamantati sono più sottili o quasi rispetto all'anima della lama, il solco risulta troppo stretto e potrebbe facilmente provocare un contraccolpo.

Assicurarsi che le flange e il foro della lama siano puliti e integri, e che tutto combaci perfettamente. Le flange non devono essere utilizzate se sono deformate, se la relativa superficie è irregolare, scheggiata o se sono sporche. Le filettature

e il bullone dell'albero devono essere integri. Esaminare le lame per assicurarsi che non vi siano danneggiamenti ai segmenti, al foro dell'albero o eventuali altri danneggiamenti passibili di rendere pericoloso il funzionamento.

Il bordo sporgente della flangia interna deve essere rivolto verso la lama. Poi, montare la lama sulla flangia interna e aggiungere la flangia esterna. Aggiungere il bullone dell'albero e serrare a 15-25 Nm.

**AVVERTENZA: non tentare di montare una lama che non corrisponda alla ferramenta di montaggio. Ciò causerebbe un funzionamento eccentrico e vibrazioni incontrollabili.**

## REGOLAZIONE DELLA PROTEZIONE DELLA LAMA

Guardandola dall'estremità dell'albero, la lama ruota in senso orario. Pertanto, la maggior parte dei detriti, delle scintille e della fanghiglia derivanti dall'operazione di taglio viene proiettata all'indietro. La protezione della lama deve quindi essere regolata in modo tale che il bordo posteriore sia a filo con il pezzo da lavorare.

### REGOLAZIONE

Innanzitutto, tirare fuori la leva di bloccaggio nella direzione opposta rispetto alla tensione della molla, poi ruotare la protezione della lama nella posizione desiderata. Fare in modo che la leva di bloccaggio si innesti nella fessura più vicina della protezione per bloccarla in posizione.



### PARASPRUZZI

Il paraspruzzi a molla è utile per contribuire a contenere la fanghiglia che schizza all'indietro. Per installarlo, occorre semplicemente agganciarlo nella parte posteriore della protezione lama. Per rimuoverlo, inclinarlo verso l'alto e sganciarlo.

Qualora il paraspruzzi non sia necessario, come nel caso del taglio a secco, può essere spostato e agganciato verso l'alto. Occorre semplicemente innestare l'attacco maschio che si trova sulla ribalta nell'aletta femmina presente sul supporto. Sganciare per rilasciarlo.

### COLLEGAMENTO DELL'ACQUA

L'acqua rappresenta un elemento fondamentale di questo utensile che serve a raffreddare il motore e il convertitore. L'acqua viene utilizzata anche come refrigerante

per evitare il surriscaldamento della superficie di lavoro dei segmenti diamantati. Inoltre, l'acqua limita la polvere e lava via le particelle abrasive.

Il convertitore è dotato di 2 raccordi dell'acqua. Per prima cosa, collegare l'alimentazione dell'acqua a uno dei raccordi presenti sul convertitore, quindi collegare l'altro raccordo al motore utilizzando il tubo flessibile di raccordo dell'acqua.



**ATTENZIONE: NON UTILIZZARE MAI QUESTO UTENSILE SENZA FLUSSO D'ACQUA ATTRAVERSO IL CONVERTITORE E IL MOTORE.**

**ATTENZIONE: IN CASO DI UTILIZZO A BASSE TEMPERATURE, ASSICURARSI SEMPRE CHE L'ACQUA VENGA SCARICATA COMPLETAMENTE DAL MOTORE E DAL CONVERTITORE AL TERMINE DELL'UTILIZZO: il congelamento dell'acqua all'interno del dispositivo causa danni gravi!**

È stato progettato per essere raffreddato ad acqua, pertanto in assenza d'acqua si surriscalderebbe rapidamente.

**AVVERTENZA: controllare tutti i raccordi dell'impianto di alimentazione dell'acqua per assicurarsi che non vi siano perdite. Controllare i tubi flessibili e gli altri componenti essenziali che potrebbero deteriorarsi.**

**AVVERTENZA: la pressione massima dell'acqua non deve superare 70 psi (4 bar).**

Utilizzare un collettore d'acqua con un aspiraliquidi per raccogliere l'acqua di raffreddamento qualora quest'ultima possa danneggiare gli oggetti nelle vicinanze.

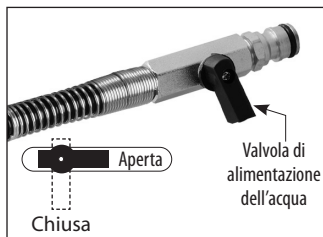
L'impianto di alimentazione dell'acqua è incorporato nel dispositivo.

Per collegarlo all'alimentazione dell'acqua, occorre innanzitutto tirare l'anello a innesto rapido per rimuovere il raccordo

femmina del tubo flessibile dell'acqua. A questo punto, ricollegare il

raccordo dell'acqua alla valvola maschio di alimentazione dell'acqua. Premere fino a farlo scattare.

Il flusso dell'acqua è controllato tramite la valvola di alimentazione dell'acqua. La quantità d'acqua diretta verso la lama può essere regolata in maniera precisa a seconda delle necessità.



**NOTA: eventuali impurità nell'alimentazione dell'acqua possono intasare con facilità gli ugelli di nebulizzazione dell'acqua nella protezione della lama. Assicurarsi che l'acqua di alimentazione sia pulita. Se ci si accorge che non è presente alcun flusso d'acqua verso la lama, ripulire l'impianto di alimentazione dell'acqua del dispositivo con aria compressa.**

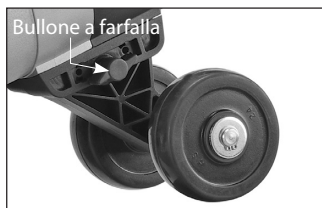
## TAGLIO A SECCO

Se è richiesto il taglio a secco, l'acqua di raffreddamento deve comunque scorrere attraverso il convertitore e il motore.



## GRUPPO RULLI DI GUIDA

I rulli di guida aiutano a mantenere il piano della lama perpendicolare al pezzo da lavorare. Per installarli, allentare leggermente il bullone a farfalla e innestare le quattro pinze con i quattro occhielli nella parte inferiore dell'alloggiamento del motore, poi serrare il bullone a farfalla.





## STRUZIONI PER L'USO DEL KIT DI TAGLIO A FILO

### INTRODUZIONE

Il kit di taglio a filo permette di montare la lama di taglio a filo (non inclusa) sulla macchina per poter eseguire tagli a filo con la protezione esterna della lama temporaneamente rimossa.

### ELENCO DEI CONTENUTI

1. Flangia di taglio a filo
2. Rondella e bullone dell'albero a esagono incassato
3. Viti a testa piatta con esagono incassato x 6
4. Chiave a brugola M5
5. Chiave a brugola M8
6. Protezione per taglio a filo e viti a testa piatta x 7

### ASSEMBLAGGIO

Per montare il kit di taglio a filo, occorre innanzitutto rimuovere il bullone dell'albero, le flange e la lama in base a quanto indicato nel manuale di istruzioni.

1. Rimuovere il tubo flessibile dell'acqua dal relativo ugello sulla protezione esterna della lama e collegarlo all'ugello dell'acqua alternativo sulla protezione interna della lama.
2. Rimuovere il paraspruzzi e le 7 viti che fissano la protezione della lama esterna.
3. Sganciare le 3 chiusure a leva e agganciare i fermagli allentati agli attacchi in plastica per evitare eventuali sferragliamenti.
4. Rimuovere la protezione esterna della lama e conservarla in un luogo sicuro.
5. Montare la flangia di taglio a filo sul mandrino e fissarla con la rondella e il bullone dell'albero a esagono incassato. Innestare il bloccaggio dell'albero e serrare il bullone dell'albero saldamente utilizzando la chiave a brugola M8.

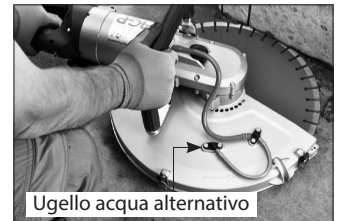
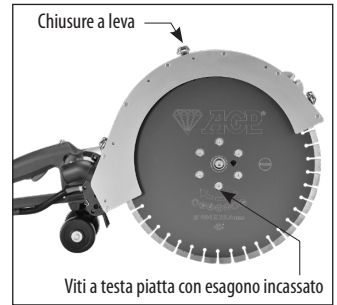
#### **AVVERTENZA: Non utilizzare distanziali o flange sotto la flangia di taglio a filo!**

6. Montare la lama di taglio a filo sulla flangia, allineare i fori e inserire le viti a testa piatta con esagono incassato. Utilizzando la chiave a brugola M5, serrare le viti uniformemente e in sequenza diagonale.
7. Montare la protezione per taglio a filo e serrare le 7 viti a testa piatta.

#### **AVVERTENZA: Non eseguire il lavoro con la protezione per taglio a filo smontata.**

8. Una volta completata l'operazione di taglio a filo, riportare immediatamente la troncatrice nella sua configurazione di taglio standard.

**NOTA: È presente un offset di taglio effettivo di circa 1 mm o inferiore (a seconda dello spessore dei segmenti diamantati).**



Ma siccome la protezione della lama presenta una certa flessibilità, una leggera pressione verso il basso permette un taglio perfettamente a filo. Durante l'operazione effettiva, il taglio diventa a filo al 100%. Deve essere presente un piccolo grado di offset per evitare la formazione di segni a forma di vortice nel materiale base in casi particolari. Per evitare segni a forma di vortice, non applicare forza verso il basso; per ottenere un taglio a filo al 100% applicare invece una certa forza verso il basso.

**AVVERTENZA: La protezione esterna della lama deve sempre essere in posizione quando si effettuano delle operazioni di taglio standard. Non mettere mai in funzione la troncatrice quando la protezione esterna della lama è rimossa, a eccezione delle operazioni di taglio a filo.**

**AVVERTENZA: Controllare periodicamente il serraggio delle viti di montaggio e della vite dell'albero.**

**AVVERTENZA: Qualora si avvertano vibrazioni insolite durante il funzionamento, fermarsi immediatamente e individuarne la causa prima di continuare.**

## PROTEZIONE DA SOVRACCARICO E PROTEZIONE ANTI-SURRISCALDAMENTO

### Spia di carico e sovraccarico

Ogni volta che si mette in tensione il motore e quando funziona normalmente entro il relativo campo di carico, la spia di carico è accesa con luce verde.

Quando il motore funziona indicativamente al campo di pieno carico, la spia di carico lampeggia di colore rosso. Se la condizione di pieno carico viene superata e continua per un tempo prolungato, il motore si arresta e la spia di carico diventa rossa a luce fissa. In questo caso, il motore deve essere innanzitutto spento e poi riavviato.



**NOTA: se il motore non parte quando si preme l'interruttore:**

**A:** la spia che lampeggia di colore verde indica un problema dell'interruttore.

**B:** la spia che si accende di colore verde fisso indica un problema del motore.

**NOTA: quando si utilizza un'alimentazione monofase a 16 A, l'operatore deve prestare la massima attenzione a non esercitare una forza eccessiva. Si deve prestare attenzione alla spia di carico e tentare di rimanere entro il campo verde. Un carico eccessivo assorbirà troppa corrente, facendo scattare facilmente l'interruttore automatico dell'alimentazione.**

### Protezione Termica Anti-Surriscaldamento

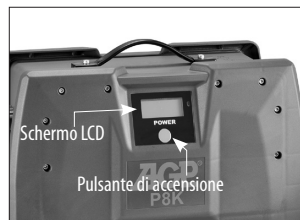
Se il motore raggiunge una temperatura troppo elevata, la protezione termica fa sì che il motore si arresti. L'interruttore deve essere innanzitutto disattivato e poi riattivato. Qualora ciò accada, non iniziare subito l'operazione di taglio. Prima di proseguire, lasciare sempre che l'acqua di raffreddamento fluisca attraverso il motore per alcuni minuti affinché ritorni a una temperatura di esercizio normale.

## CONFIGURAZIONE

- Collegare l'alimentazione dell'acqua tra il convertitore e il motore utilizzando il tubo flessibile di raccordo acqua
- Collegare il convertitore all'alimentazione dell'acqua
- Controllare la presenza di perdite
- Collegare il cavo di collegamento motore al convertitore
- Collegare il convertitore all'alimentazione elettrica

## FUNZIONAMENTO

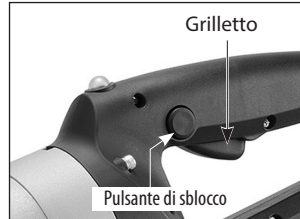
- Quando si collega il cavo di alimentazione del convertitore di potenza, la tensione alimentata viene visualizzata sullo schermo LCD
- Per mettere in tensione il motore, premere il pulsante di accensione **POWER** presente sul convertitore. Lo schermo LCD indica "ON" e la luce della Spia di carico sul motore è fissa e di colore verde, a indicare che il motore ora è sotto tensione e può essere messo in funzione mediante il grilletto.



## INTERRUTTORE

Per avviare il dispositivo, innanzitutto premere il Pulsante di sblocco, quindi il Grilletto.

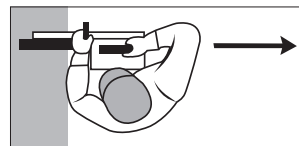
Per arrestare il dispositivo, sbloccare il Grilletto, quindi premere il Pulsante di accensione nel convertitore di potenza per togliere tensione al dispositivo.



**ATTENZIONE: Tenere i forti campi magnetici lontani dall'interruttore e dalla zona posteriore del motore, i forti campi magnetici potrebbero danneggiare queste parti dell'utensile.**

## COME TENERE IL DISPOSITIVO

- Tenere sempre il dispositivo con entrambe le mani, tenendo la mano destra sull'impugnatura principale e la mano sinistra sull'impugnatura laterale (vale anche se l'operatore è mancino).
- Non stare esattamente in linea con la lama. Piuttosto, assumere una posizione che, in caso di contraccolpo, eviti all'operatore di trovarsi nella traiettoria della lama.
- Non piegarsi mai sulla traiettoria della lama. Un tale movimento allineerebbe il corpo alla lama in caso di contraccolpo.
- Non effettuare tagli sopra l'altezza delle spalle.
- Non eseguire mai delle operazioni di taglio stando su una scala o altre piattaforme instabili.

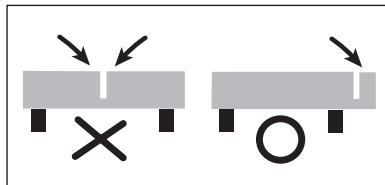


## PRIMA DI TAGLIARE

- Assicurarsi che la zona nella quale deve essere effettuato il taglio sia priva di qualsiasi oggetto che possa far inciampare l'operatore.
- A volte, prima di tagliare, può essere utile segnare la linea di taglio con gesso o materiali simili. Al fine di ottenere un taglio rettilineo, può anche essere utile un'asse di legno per guidare il dispositivo.
- Assicurarsi che tutti i presenti mantengano una distanza di sicurezza.
- Assicurarsi che siano installati tutti i dispositivi di sicurezza.

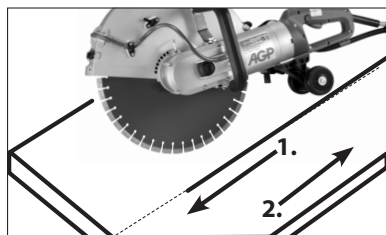
## SUPPORTO ADEGUATO AL PEZZO DA LAVORARE

- Supportare il pezzo da lavorare in modo tale che il solco creato dal taglio non comprometta il corretto scorrimento della lama.
- Fissare il pezzo da lavorare in modo tale che non rotoli, scivoli via o si sposti a causa delle vibrazioni durante il taglio.
- La sequenza di taglio è importante quando lo scopo è quello di ottenere delle sagome. Effettuare sempre l'ultimo taglio in modo da non compromettere il corretto scorrimento della lama. Pertanto, iniziare con il taglio orizzontale inferiore, poi procedere con i lati e infine effettuare il taglio orizzontale superiore.
- Considerare il peso del pezzo da lavorare e la direzione in cui cadrà quando verrà tagliato.
- Qualora vi sia la possibilità che il troncamento del pezzo da lavorare causi una situazione pericolosa, lasciare intatta una parte del materiale e completare l'operazione con un cesello o un utensile simile.



## TECNICA DI TAGLIO

- Tenendo il dispositivo con entrambe le mani per resistere alla coppia di avviamento, premere il pulsante di sblocco e poi il grilletto.
- Lasciare che il dispositivo raggiunga la velocità massima prima di appoggiarlo al pezzo da lavorare.
- Regolare il flusso dell'acqua a seconda delle necessità ruotando la valvola di alimentazione dell'acqua.
- Poi, iniziare a tagliare delicatamente con la parte posteriore della lama fino a creare il solco. Effettuare il primo taglio in avanti (in modo tale da poter vedere la linea di taglio). Poi, effettuare i tagli seguenti all'indietro.
- Non tentare di tagliare troppo in profondità con una sola passata. Non superare mai la quota di circa 50 mm (2") a passata.
- È una buona idea realizzare innanzitutto una scanalatura superficiale di guida prima di procedere al taglio principale. Qualora vi sia la necessità di eseguire una correzione, sollevare la lama e tagliare leggermente in avanti, poi di nuovo nel solco esistente. Fare attenzione a non compromettere il corretto scorrimento della lama.
- Nel caso di pezzi da lavorare di forma rotonda, la tecnica migliore è quella di utilizzare un movimento



lento e uniforme avanti e indietro tagliando con il quadrante inferiore della lama.

- Fare in modo che il dispositivo non si incastri. Limitare la pressione di alimentazione per fare sì che la lama continui a girare ad alta velocità.
- Non caricare mai lateralmente la lama nel solco.

## ARRESTO

Rilasciare il grilletto per arrestare il dispositivo. Dopo aver rilasciato il grilletto, la lama continua a girare per un breve periodo. Quando il dispositivo è completamente fermo, premere il Pulsante di accensione nel convertitore di potenza per togliere tensione al motore.

**AVVERTENZA: appoggiare il dispositivo soltanto quando la lama smette di girare.**

## MANUTENZIONE E PULIZIA

Il presente dispositivo lavora in ambienti estremamente ostili.

Pertanto, al fine di allungare la vita dell'utensile, occorre pulirlo accuratamente dopo ogni utilizzo.

### Manutenzione giornaliera

1. Tenere pulito il dispositivo.
2. Controllare per garantire che il cavo di collegamento motore, i cavi di alimentazione elettrica e i tubi flessibili di raccordo acqua siano in buone condizioni.
3. Assicurarci che tutte le viti siano strette.
4. Controllare le condizioni di tutti i dispositivi di sicurezza, come la protezione della lama.
5. Controllare che la lama non sia danneggiata.

Qualora fosse necessario sostituire il cavo dell'alimentazione elettrica, l'operazione deve essere effettuata dal produttore o da un suo rappresentante al fine di evitare qualsiasi pericolo per la sicurezza.

**AVVERTENZA: tutte le riparazioni devono essere affidate a un centro assistenza autorizzato. Eventuali riparazioni eseguite in maniera errata possono essere causa di lesioni o decesso.**

Non gettare gli utensili elettrici con i rifiuti domestici!

In conformità alla Direttiva europea 2002/96/CE sui Rifiuti di apparecchiature elettriche ed elettroniche e la relativa trasposizione in legge nazionale, gli utensili elettrici usati devono essere raccolti separatamente e riciclati in maniera ecosostenibile

## CODICI CHE APPAIONO SULLO SCHERMO LCD DEL CONVERTITORE DI POTENZA

**OFF (SPENTO):** quando si collega la spina del convertitore, lo schermo visualizza la tensione di alimentazione. La tensione visualizzata dipende dall'alimentazione

**ON (ACCESO):** quando si preme il pulsante di accensione del convertitore, lo schermo visualizza la dicitura "ON"; ora l'utensile collegato è sotto tensione

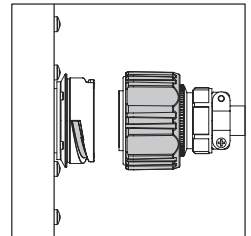
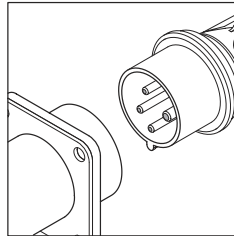
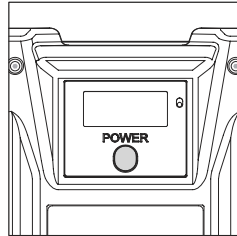
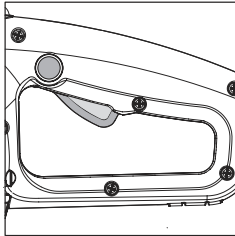
## ASSISTENZA PER LA RISOLUZIONE DEI PROBLEMI

**A:**  
Riavviare la troncatrice girando l'interruttore OFF, poi di nuovo ON

**B:**  
Riavviare il convertitore premendo il pulsante di accensione OFF, poi di nuovo ON

**C:**  
Scollegare e ricollegare il cavo di alimentazione del convertitore

**D:**  
Scollegare e ricollegare il cavo di accoppiamento (tra il convertitore e la troncatrice)



## CODICI DI ERRORE

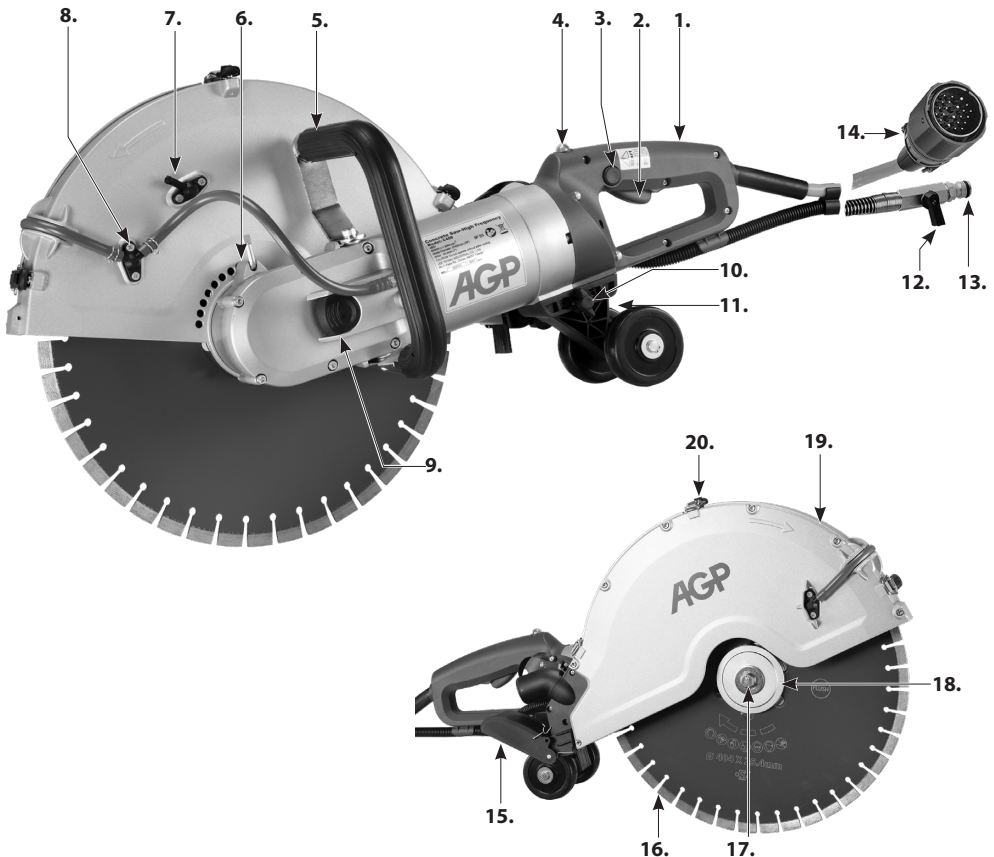
Codice di errore	Descrizione	Azione correttiva	Ulteriore spiegazione
<b>8888</b>	Comunicazione interrotta tra la scheda elettronica del motore, la scheda elettronica del convertitore e il modulo LCD all'accensione	<b>D</b>	Controllare il collegamento del cavo di collegamento
<b>E1</b>	Sovraccarico del convertitore.	<b>A</b>	Nell'utensile, spegnere e riaccendere l'interruttore
<b>E2</b>	Surriscaldamento del convertitore	<b>A</b>	Assicurarsi che sia presente il flusso d'acqua. Appena la temperatura torna a un valore normale, spegnere e riaccendere l'interruttore
<b>E3</b>	Sottotensione	<b>A</b>	Appena la tensione di alimentazione torna a un valore normale, nell'utensile, spegnere e riaccendere l'interruttore
<b>E4</b>	Sovratensione	<b>A</b>	Appena la tensione di alimentazione torna a un valore normale, nell'utensile, spegnere e riaccendere l'interruttore
<b>E5</b>	Tensione inversa eccessiva tra il freno motore e il convertitore	<b>B</b>	Nel convertitore, premere il pulsante di accensione "POWER" per spegnere e riaccendere l'alimentazione (se il problema persiste, consegnare l'unità a un centro assistenza autorizzato per ripararla)

<b>E6</b>	Rilevamento di dispersione della corrente RCD tra il convertitore e l'alimentazione di tensione	<b>C</b>	Controllare i collegamenti e poi, scollegare e ricollegare il cavo di alimentazione, quindi riavviare il convertitore (se il problema persiste, portare l'unità ad un centro di assistenza autorizzato per la riparazione)
<b>E7</b>	Errore del sensore a effetto Hall	<b>B</b>	Nel convertitore, premere il pulsante di accensione "POWER" per spegnere e riaccendere l'alimentazione (se il problema persiste, consegnare l'unità a un centro assistenza autorizzato per ripararla)
<b>E8</b>	Surriscaldamento del motore	<b>A</b>	Assicurarsi che sia presente il flusso d'acqua e attendere 20 secondi. Dopo di ciò, nell'utensile, spegnere e riaccendere l'interruttore (se la temperatura non si è ancora abbassata a sufficienza dopo 20 secondi, attendere ancora fino a quando la temperatura si sarà abbassata a un valore accettabile)
<b>E91</b>	Comunicazione interrotta tra la scheda elettronica del convertitore e il modulo LCD durante il funzionamento	<b>B</b>	Nel convertitore, premere il pulsante di accensione "POWER" per spegnere e riaccendere l'alimentazione (se il problema persiste, consegnare l'unità a un centro assistenza autorizzato per ripararla)
<b>E92</b>	Comunicazione interrotta tra la scheda elettronica del motore e il modulo LCD durante il funzionamento	<b>B</b>	Controllare il collegamento del cavo di collegamento. Dopo di ciò, nell'utensile spegnere e riaccendere l'interruttore (se il problema persiste, consegnare l'unità a un centro assistenza autorizzato per ripararla)
<b>E10</b>	Collegamenti errati del cavo di alimentazione elettrica - monofase	<b>C</b>	Controllare i collegamenti del cavo e della spina dell'alimentazione elettrica
<b>E11</b>	Caduta di tensione tra il convertitore e l'utensile	<b>C</b>	Controllare i collegamenti, quindi nel convertitore, premere il pulsante di accensione "POWER" per spegnere e riaccendere l'alimentazione (se il problema persiste, consegnare l'unità a un centro assistenza autorizzato per ripararla)
<b>E12</b>	Collegamenti errati del cavo di alimentazione elettrica - trifase	<b>C</b>	Controllare i collegamenti del cavo e della spina dell'alimentazione elettrica
<b>E15</b>	Problema interno al circuito della scheda elettronica del convertitore	<b>C</b>	Versuchen Sie am Umrichter, den Betriebsschalter auf AUS und dann wieder auf EIN zu schalten (wenn das Problem weiterhin auftritt, bringen Sie das Gerät zu einem autorisierten Service Center zur Reparatur.)
<b>E16</b>	Nessun segnale proveniente dal sensore di temperatura del motore	<b>A</b>	Versuchen Sie am Werkzeug, den Schalter auf AUS und dann wieder auf EIN zu schalten (wenn das Problem weiterhin auftritt, bringen Sie das Gerät zu einem autorisierten Service Center zur Reparatur).
<b>E17</b>	Sensore di temperatura del motore in corto circuito	<b>A</b>	Versuchen Sie am Werkzeug, den Schalter auf AUS und dann wieder auf EIN zu schalten (wenn das Problem weiterhin auftritt, bringen Sie das Gerät zu einem autorisierten Service Center zur Reparatur).

**SPECIFICATIES**

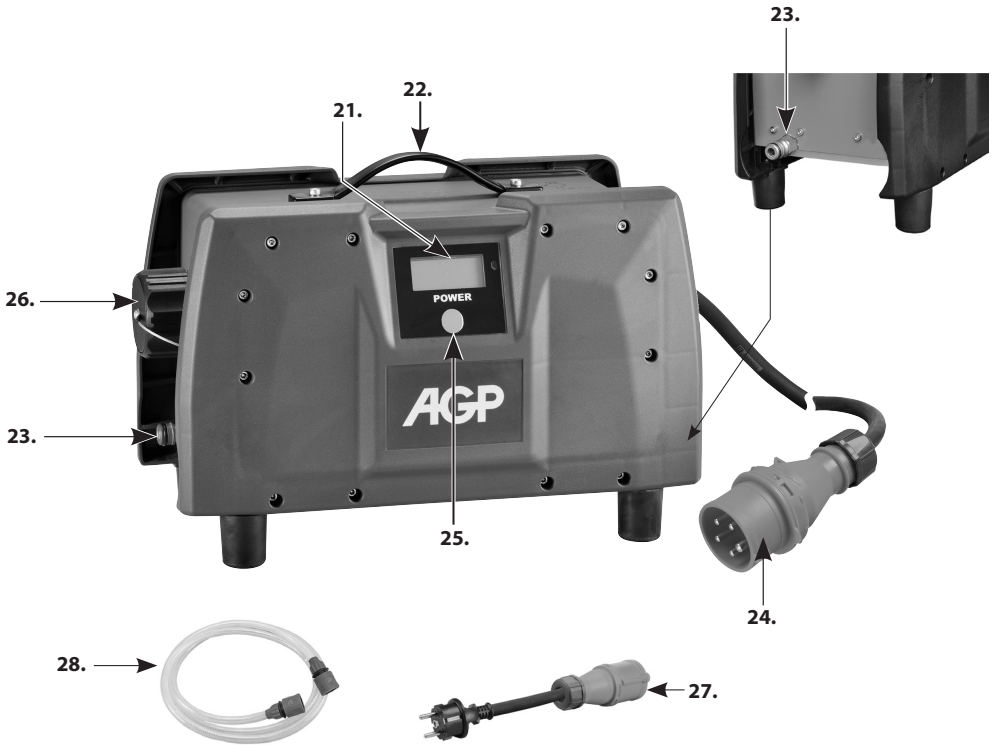
<b>Betonzaag met hoge frequentie</b>		<b>Spanningsomzetter</b>
Vermogen:		Ingang (maximum)
1Ø~ 200-240 V	5 500 W (32 A), 3 600 W (16 A)	32 A
3Ø~220-240 V	5 500 W	25 A
3Ø~380-480 V	6 600 W	16 A
Onbelast toerental	3 900 / Min	-
Lineair toerental W/18" blad	82.9 m/s	-
Bladdiameter	406 mm (16")	-
As	25.4 mm (1")	-
Min. Kerndikte van het blad	1,7 mm (0,067")	-
Max. Kerndikte van het blad	4,3 mm (0,169")	-
Max. snijdiepte	150 mm (6")	-
Min. waterdebiet(25 °C)	-	3.5 L/min (1 gpm)
Max. waterdruk	-	7 bar (100 psi)
Afmetingen (L x B x H)	780 x 260 x 300 mm	460 x 220 x 260 mm
Gewicht	10.5 kg (23.1 lb)	7.1 kg (15.6 Lbs)

**Betonzaag met hoge frequentie**





## Spanningsomzetter



- |   |  |
|---|--|
| 1. Hoofdhandgreep                       | 15. Spatscherm                         |
| 2. Trekkerschakelaar                    | 16. Diamantblad                        |
| 3. Ontgrendelingsknop                   | 17. Asbout                             |
| 4. Waarschuwinglampje belasting         | 18. Mannelijke klem                    |
| 5. Zijhandgreep                         | 19. Iternatieve toevoersproeier        |
| 6. Vergrendelingshendel bladafscherming | 20. Tuimelvergrendelingen              |
| 7. Alternatieve toevoersproeier         | 21. LCD-display                        |
| 8. Watertoevoersproeier                 | 22. Spanningsomzetter                  |
| 9. Asvergrendelingsknop                 | 23. Watertoevoerinlaat/-uitlaat        |
| 10. Vlinderbout                         | 24. Voedingskabel                      |
| 11. Stel van geleidingsrol              | 25. Aan/uit-knop                       |
| 12. Watertoevoerklep                    | 26. Motorkoppelingsaansluiting         |
| 13. Waterkoppeling                      | 27. Eénfasige adapterkabel (optioneel) |
| 14. Spanningsomzetter                   | 28. Waterkoppelingsslang               |

## ALGEMENE VEILIGHEIDSVOORSCHRIFTEN



**WAARSCHUWING!** Lees alle veiligheidswaarschuwingen en alle instructies. Als de waarschuwingen en instructies niet worden nageleefd, kan dit leiden tot elektrische schokken, brand en/of ernstige letsels.

**Bewaar alle waarschuwingen en instructies voor toekomstig gebruik.**

De term "elektrisch gereedschap" in de waarschuwingen verwijst naar uw elektrisch gereedschap op netvoeding (met snoer) of uw elektrisch gereedschap op batterijvoeding (zonder snoer).

### 1. VEILIGHEID OP DE WERKPLEK

- a. **Zorg ervoor dat de werkplek schoon blijft en goed verlicht is.** Rommelige en donkere ruimtes vragen om ongevallen.
- b. **Gebruik elektrische gereedschappen niet in explosiegevaarlijke omgevingen, bijvoorbeeld op plaatsen waar brandbare vloeistoffen, gassen of stof aanwezig zijn.** Bij het gebruik van elektrische gereedschappen ontstaan vonken, die het stof of de dampen kunnen ontsteken.
- c. **Zorg ervoor dat kinderen en omstaanders uit de buurt blijven wanneer u elektrisch gereedschap gebruikt.** Bij afleiding kunt u de controle verliezen.
- d. **Laat het elektrische gereedschap nooit onbeheerd achter.** U mag de machine pas verlaten wanneer het gereedschap dat in gebruik is volledig tot stilstand gekomen is.

### 2. ELEKTRISCHE VEILIGHEID

- a. **De stekkers van elektrische gereedschappen moeten passen in het stopcontact. De stekker mag nooit op de ene of andere wijze worden gewijzigd. Gebruik nooit adapterstekkers voor geaarde elektrische gereedschappen.** Als de stekkers niet worden gewijzigd en het stopcontact overeenstemt met de stekker wordt het risico op elektrische schokken verminderd.
- b. **Vermijd lichamelijk contact met geaarde oppervlakken zoals leidingen, radiateurs, kookplaten en koelkasten.** Er is een verhoogd risico op elektrische schokken als uw lichaam geaard is.
- c. **Stel elektrische gereedschappen niet bloot aan regen of natte omstandigheden.** Als er water binnendringt in elektrisch gereedschap, is er een groter risico op elektrische schokken.
- d. **Maak geen verkeerd gebruik van het snoer. Gebruik het snoer nooit om het elektrische gereedschap te dragen, om eraan te trekken of om de stekker uit te trekken. Houd het snoer uit de buurt van warmte, olie, scherpe randen of bewegende onderdelen.** Beschadigde of verstrikte snoeren verhogen het risico op elektrische schokken.
- e. **Wanneer elektrische gereedschappen buiten worden gebruikt, moet een verlengsnoer worden gebruikt dat geschikt is voor buitengebruik.** Bij gebruik van een snoer dat geschikt is voor buitengebruik wordt het risico op elektrische schokken verminderd.
- f. **Als elektrisch gereedschap onvermijdelijk moet worden gebruikt op een vochtige locatie, dient een aardlekschakelaar te worden gebruikt.** Bij gebruik van een aardlekschakelaar wordt het risico op elektrische schokken verminderd.

### 3. PERSOONLIJKE VEILIGHEID

- a. **Blijf alert, kijk wat u doet en gebruikt uw gezond verstand wanneer u elektrisch gereedschap gebruikt. Gebruik elektrisch gereedschap niet wanneer u moe bent of wanneer u onder de invloed bent van drugs, alcohol of medicatie.** Als u tijdens het gebruik van elektrische gereedschappen een moment de aandacht verliest, kan dat leiden tot ernstige persoonlijke verwondingen.
- b. **Gebruik persoonlijke beschermingsmiddelen. Draag altijd oogbescherming.** Als voor gepaste omstandigheden beschermingsmiddelen zoals een stofmasker, antislipveiligheidsschoenen, een helm of gehoorbescherming worden gebruikt, wordt het risico op persoonlijke letsels verminderd.
- c. **Voorkom ongewenst starten. Zorg ervoor dat de schakelaar in de uit-stand staat voordat u de voedingsbron en/of de batterij aansluit of het gereedschap opneemt of meedraagt.** Elektrische gereedschappen dragen met een vinder op de schakelaar of elektrische gereedschappen onder spanning brengen met de schakelaar aan, is vragen om ongevallen.
- d. **Verwijder stelsleutels of andere sleutels alvorens het elektrische gereedschap in te schakelen.** Als er een sleutel bevestigd blijft op een draaiend onderdeel van het elektrische gereedschap, kan dit leiden tot persoonlijke letsels.
- e. **Probeer niet te ver te reiken. Bewaar te allen tijde uw evenwicht en houd beide voeten op de grond.** Zo heeft u een betere controle over het elektrische gereedschap in onverwachte situaties.
- f. **Draag gepaste kleding. Draag geen losse kleren of juwelen. Houd uw haar en kleren uit de buurt van bewegende onderdelen.** Losse kleren, juwelen of lang haar kunnen verstrikt raken in bewegende onderdelen.
- g. **Als er voorzieningen zijn voor de aansluiting van stofafzuig- en opvangfaciliteiten, dienen deze goed aangesloten en gebruikt te worden.** Het gebruik van een stofopvangsysteem kan stofgerelateerde gevaren beperken.
- h. **Als u door een frequent gebruik van gereedschappen ermee vertrouwd bent geraakt, mag u niet zelfgenoegzaam worden en de veiligheidsbeginselen van de gereedschappen negeren.** Een onvoorzichtige actie kan in een fractie van een seconde een ernstig letsel veroorzaken.

### 4. GEBRUIK EN VERZORGING VAN ELEKTRISCHE GEREEDSCHAPPEN

- a. **Elektrische gereedschappen mogen niet worden geforceerd. Gebruik het juiste elektrische gereedschap voor uw toepassing.** Het juiste elektrische gereedschap voert de taak beter en veiliger uit, op de snelheid waarvoor het is ontworpen.
- b. **Gebruik het elektrische gereedschap niet als de schakelaar niet kan worden aan- of uitgezet.** Elektrisch gereedschap dat niet kan worden bediend met de schakelaar is gevaarlijk en moet worden gerepareerd.
- c. **Koppel de stekker los van de voedingsbron en/of koppel de batterij los van het elektrische gereedschap alvorens enige aanpassingen uit te voeren, accessoires te vervangen of elektrische gereedschappen op te bergen.** Deze preventieve veiligheidsmaatregelen verminderen het risico op een ongewenst starten van het elektrische gereedschap.
- d. **Bewaar elektrische gereedschappen die niet worden gebruikt buiten het bereik van kinderen, en laat het elektrische gereedschap niet gebruiken door personen die niet vertrouwd zijn met het elektrische gereedschap of met deze instructies.** Elektrische gereedschappen zijn gevaarlijk in de handen van niet-opgeleide gebruikers.

- e. **Onderhoud elektrische gereedschappen en accessoires. Controleer of er bewegende onderdelen niet goed uitgelijnd of geblokkeerd zijn, of er onderdelen stuk zijn en of er andere omstandigheden zijn die een ongunstige invloed kunnen hebben op de werking van het elektrische gereedschap. Als het elektrische gereedschap beschadigd, mag het niet worden gebruikt en dient het te worden vervangen.** Vele ongevallen worden veroorzaakt door slecht onderhouden elektrische gereedschappen.
- f. **Zorg ervoor dat snijgereedschappen scherp en schoon blijven.** Goed onderhouden snijgereedschappen met scherpe snijranden blokkeren minder gemakkelijk en zijn eenvoudiger te bedienen.
- g. **Gebruik het elektrische gereedschap, de accessoires, de bits enz. in overeenstemming met deze instructies, rekening houdend met de werkomstandigheden en het uit te voeren werk.** Het gebruik van een elektrisch gereedschap voor andere toepassingen dan die waar het voor bedoeld is kan leiden tot een gevaarlijke situatie.
- h. **Houd de handgrepen en vastneemoppervlakken droog, schoon en vrij van olie en smeervet.** Met gladde handgrepen kan het gereedschap niet veilig gebruikt en gecontroleerd worden in onverwachte situaties.

## 5. SERVICE

Laat de service op uw elektrisch gereedschap uitvoeren door een gekwalificeerde reparateur, en gebruik alleen identieke vervangingsonderdelen. Zo wordt de veiligheid van het elektrische gereedschap gehandhaafd.

## Veiligheidswaarschuwingen voor doorslijpmachine

### Symbolen die worden gebruikt in deze handleiding

V.....Volt

A.....Ampère

Hz.....Hertz

W.....Watt

~.....wisselstroom

n .....nominaal toerental

min<sup>-1</sup> omwentelingen of slagen per minuut

1Ø.....Eénfasestroom

3Ø.....Driefasestroom



.....draag altijd oogbescherming



.....draag altijd een stofmasker.



.....draag altijd gehoorbescherming



.....draag een goedgekeurde veiligheidshelm



.....GEVAAR! Houd uw handen uit de buurt van het snijgebied en het snijblad.



...met elektrische aarding



.....waarschuwing voor algemeen gevaar



.....lees deze instructies



gooi elektrische gereedschappen, accessoires en de verpakking niet weg met het huishoudelijke afval



.....Gebruik het gereedschap altijd met waterkoeling

- **Het bij het gereedschap geleverde scherm moet stevig bevestigd worden op het elektrische gereedschap, en zodanig geplaatst worden dat een maximale veiligheid gegarandeerd wordt, met zo weinig mogelijk blootstelling van de schijf aan de operator. Uzelf en de omstaanders moeten plaatsnemen op een afstand van het vlak.** Het scherm helpt de gebruiker beschermen tegen gebroken schijffragmenten en een ongewenste aanraking van de schijf.
- **Gebruik diamantdoorslijpschijven voor uw elektrisch gereedschap.** Als een accessoire op het elektrische gereedschap kan bevestigd worden, is dit nog geen garantie op een veilige werking.
- **Het nominale toerental van het accessoire moet minstens gelijk zijn aan het maximale toerental dat aangeduid is op het elektrische gereedschap.** Accessoires die sneller werken dan hun nominaal toerental kunnen breken en uiteenvliegen.
- **De schijven mogen alleen gebruikt worden voor de aanbevolen toepassingen. U mag bijvoorbeeld niet slijpen met de zijkant van de doorslijpschijf.** Doorslijpschijven zijn bedoeld voor omtrekslijpwerkzaamheden. Als op deze schijven zijwaartse krachten worden uitgeoefend, kunnen ze verbrijzeld worden.
- **Gebruik voor de door u geselecteerde schijf altijd onbeschadigde schijfflenzen van de juiste diameter.** De juiste schijfflenzen bieden ondersteuning voor de schijf, waardoor de mogelijkheid dat de schijf breekt beperkt wordt.
- **Gebruik geen versleten verstevigde schijven van grotere elektrische gereedschappen.** Schijven die bedoeld zijn voor grotere elektrische gereedschappen zijn niet geschikt voor het hogere toerental van een kleiner gereedschap, en kunnen barsten.
- **De buitendiameter en de dikte van het accessoire moet binnen de nominale capaciteit van het elektrische gereedschap liggen.** Accessoires van het verkeerde formaat kunnen niet voldoende afgeschermd of gecontroleerd worden.
- **De asgrootte van de schijven en flenzen moet goed passen in de as van het elektrische gereedschap.** Accessoires die niet passen bij het bevestigingsmateriaal van het elektrische gereedschap zullen onevenwichtig werken en overmatig trillen, en kunnen leiden tot een controleverlies.
- **Gebruik geen beschadigde schijven. Controleer de schijven vóór het gebruik altijd op splinters en barsten. Als het elektrische gereedschap of de schijf gevallen is, moet u ze controleren op schade of een onbeschadigde schijf installeren. Na de controle en installatie van de schijf moeten u en de omstaanders plaatsnemen op een afstand van het vlak van de draaiende schijf, en het elektrische gereedschap gedurende één minuut op het maximale onbelaste toerental laten draaien.** Beschadigde schijven komen gewoonlijk los gedurende deze testtijd.
- **Draag persoonlijke beschermingsmiddelen. Gebruik, afhankelijk van de toepassing, een gelaatscherm, een beschermingsbril of een veiligheidsbril. Draag indien nodig een stofmasker, gehoorbescherming, handschoenen en een werkplaatsschort die bescherming bieden tegen kleine abrasieve fragmenten van het werkstuk.** De oogbescherming moet vliegend vuil dat vrijkomt bij verschillende werkzaamheden kunnen tegenhouden. Het stofmasker of ademhalingsapparaat moet deeltjes die vrijkomen bij onze werkzaamheden kunnen filtreren. Een langdurige blootstelling aan lawaai van hoge intensiteit kan gehoorverlies veroorzaken.
- **Zorg dat omstaanders op een veilige afstand blijven van de werkplek. Iedereen die de werkplek binnenkomt moet persoonlijke beschermingsmiddelen dragen.** Fragmenten van het werkstuk of een gebroken accessoire kunnen wegvliegen en letsel veroorzaken buiten het onmiddellijke werkingsgebied.
- **Houd het elektrische gereedschap alleen vast aan de geïsoleerde grijpoppervlakken wanneer u werkzaamheden uitvoert waarbij het snijaccessoire in aanraking kunnen komen met verborgen draden of met het snoer van het gereedschap.** Een snijaccessoire dat in aanraking komt met een draad

onder spanning draagt de spanning over op blootliggende metalen onderdelen van het elektrische gereedschap, waardoor de operator een elektrische schok kan krijgen.

- **Plaats het snoer op een afstand van het draaiende accessoire.** Als u de controle verliest, kan het snoer doorgesneden worden of verstrengeld raken, en kan uw hand of uw arm in de draaiende schijf getrokken worden.
- **Leg het elektrische gereedschap nooit neer tot het accessoire volledig tot stilstand is gekomen.** De draaiende schijf kan het oppervlak vastgrijpen en het elektrische gereedschap uit uw controle rukken.
- **Laat het elektrische gereedschap niet werken terwijl u het op uw zij draagt.** Bij een toevallig contact met het draaiende accessoire kunnen uw kleren verstrengeld raken, waardoor het accessoire naar uw lichaam wordt getrokken.
- **Reinig regelmatig de ventilatieopeningen van het elektrische gereedschap.** De ventilator van de motor trekt het stof binnen in de behuizing, en een overmatige ophoping van metaalstof kan leiden tot elektrische gevaren.
- **Gebruik het elektrische gereedschap niet in de buurt van brandbare materialen.** Deze materialen kunnen ontstoken worden door vonken.

## TERUGSLAG EN GERELATEERDE WAARSCHUWINGEN

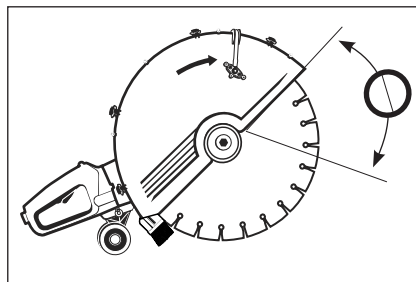
- **Een terugslag is een plotse reactie op een draaiende schijf, die geklemd is geraakt of is blijven vastzitten. Bij het klem raken of blijven vastzitten van de draaiende schijf wordt deze snel geblokkeerd, waardoor ongecontroleerd het elektrisch gereedschap in de tegengestelde richting wordt geduwd van de richting waarin de schijf draaide op het moment dat ze bleef vastzitten.** Als een slijpschijf blijft vastzitten of klem raakt op het werkstuk, kan de rand van de schijf knellen in het oppervlak van het materiaal, waardoor de schijf naar buiten gekatapulteerd wordt. De schijf kan naar de gebruiker toe of van de gebruiker weg springen, afhankelijk van de beweging van de schijf op het moment dat ze klem raakt. Slijpschijven kunnen ook breken onder deze omstandigheden. Een terugslag is het resultaat van een verkeerd gebruik van het elektrische gereedschap en/of van onjuiste werkprocedures of -omstandigheden, en kan vermeden worden door de juiste voorzorgsmaatregelen te nemen, zoals hieronder vermeld.
- **Houd het elektrische gereedschap stevig vast en zet uw lichaam en arm zodanig dat u terugslagkrachten kunt opvangen. Gebruik altijd de extra handgreep, indien aanwezig, voor een maximale controle over de terugslag- of koppelreactie tijdens het opstarten.** De gebruiker kan koppelreacties of terugslagkrachten controleren als de juiste voorzorgsmaatregelen getroffen worden.
- Plaats uw hand nooit in de buurt van het draaiende accessoire. Het accessoire kan terugslaan over uw hand.
- **Plaats uw lichaam niet in lijn met de draaiende schijf.** Een terugslag drijft het gereedschap in de tegengestelde richting van de beweging van de schijf op het moment dat deze blijft vastzitten.
- **Ga bijzonder voorzichtig te werk bij de bewerking van hoeken, scherpe randen enz. Zorg ervoor dat het accessoire niet springt of blijft vastzitten.** Op hoeken, scherpe randen of plaatsen waar het draaiende accessoire springt, heeft het de neiging om te blijven vastzitten, wat kan leiden tot een controleverlies of terugslag.
- **Bevestig geen houtsnijblad van een kettingzaag, een gesegmenteerde diamantschijf met een omtrekafstand groter dan 10 mm of een getand zaagblad.** Dergelijke bladen veroorzaken regelmatig terugslagen en controleverlies.

- **Laat de doorslijpschijf niet vastlopen of oefen er geen overmatige druk op uit. Probeer niet overmatig diep te snijden.** Bij een overbelasting van de schijf neemt de belasting toe en is de kans groter dat de schijf verdraaid wordt en blijft vastzitten in de snede, en dat er een terugslag optreedt of dat de schijf breekt.
- **Als de schijf blijft vastzitten of als een snede om een bepaalde reden onderbroken wordt, moet u het elektrische gereedschap uitschakelen en het onbeweeglijk vasthouden tot de schijf volledig tot stilstand komt. Probeer de doorslijpschijf nooit uit de snede te verwijderen terwijl de schijf in beweging is, omdat er een terugslag kan optreden als u dit doet.** Doe een onderzoek en tref corrigerende maatregelen om de oorzaak van de vastlopende schijf te verhelpen.
- **Start de snijbewerking niet opnieuw in het werkstuk. Laat de schijf op volle snelheid komen en breng de schijf voorzichtig terug in de snede.** De schijf kan blijven vastzitten, omhoog lopen of een terugslag veroorzaken als het elektrische gereedschap terug wordt gestart in het werkstuk.
- **Ondersteun panelen voor een te groot werkstuk, om het risico op klem raken en terugslag van de schijf tot een minimum te beperken.** Grote werkstukken buigen gewoonlijk door onder hun eigen gewicht. Onder het werkstuk moeten ondersteuningën aangebracht worden in de buurt van de snijlijn en in de buurt van de rand van het werkstuk, aan beide kanten van de schijf.
- **Wees extra voorzichtig bij het maken van een zakvormige insnijding in bestaande muren of andere onbekende plaatsen.** De uitstekende schijf kan gas- of waterleidingen, elektrische bedrading of andere voorwerpen raken, waardoor terugslag optreedt.

## VEILIGHEIDSWAARSCHUWINGEN VOOR DOORSLIJPMACHINE - AANVULLENDE VEILIGHEIDSWAARSCHUWINGEN

**WAARSCHUWING:** Vermijd sneden in het bovenste kwadrant van het blad, vooral wanneer u begint met snijden. In dit gebied is de kans dat er een terugslag optreedt zeer groot.

**WAARSCHUWING:** Als u kunststoffen snijdt, moet u ervoor zorgen dat de kunststof niet smelt. Als de kunststof smelt, kan deze aan het blad kleven, waardoor er een terugslag optreedt.



## ELEKTRISCHE AANSLUITING

De netwerkspanning moet overeenstemmen met de spanning die is aangegeven op het naamplaatje van de machine. Het gereedschap mag onder geen omstandigheden worden gebruikt als de voedingskabel is beschadigd. Een beschadigde kabel moet onmiddellijk worden vervangen door een geautoriseerd klantenservicecentrum. Probeer een beschadigde kabel niet zelf te repareren. Het gebruik van beschadigde voedingskabels kan leiden tot elektrische schokken.

**WAARSCHUWING: Dit apparaat moet altijd worden geaard (geaard). Als het stopcontact (de contactdoos) geen aardaansluiting heeft, moet de stekker van de voeding apart worden geaard. Gebruik zonder aarding verhoogt het risico op elektrische schokken, ernstig persoonlijk letsel en/of de dood**

**WAARSCHUWING: Een beschadigde machine mag nooit gebruikt worden. Een beschadigde machine moet altijd gelabeld worden en uit gebruik genomen worden tot de reparaties kunnen uitgevoerd worden.**

De spanningsomzetter is verbonden met de motor via een speciale motorkoppelingskabel. Schroef voor de aansluiting de dop los, lijn de tangen uit, druk ze in en schroef de het sluitstuk erop. Let op dat u de pennen niet buigt. Laat de kap op haar plaats wanneer het gereedschap niet gebruikt wordt. Breng op geen enkele wijze wijzigingen aan in de stekker.

### **3-FASENVOEDING**

In een ideale situatie moet de spanningsomzetter voorzien worden van een driefasenvoeding van 380 V tot 480 V, voor maximale prestaties. Als de stekker niet past in het beschikbare stopcontact, kan door een gekwalificeerde elektricien een gepaste stekker gemonteerd worden.

### **EÉNFASEVOEDING**

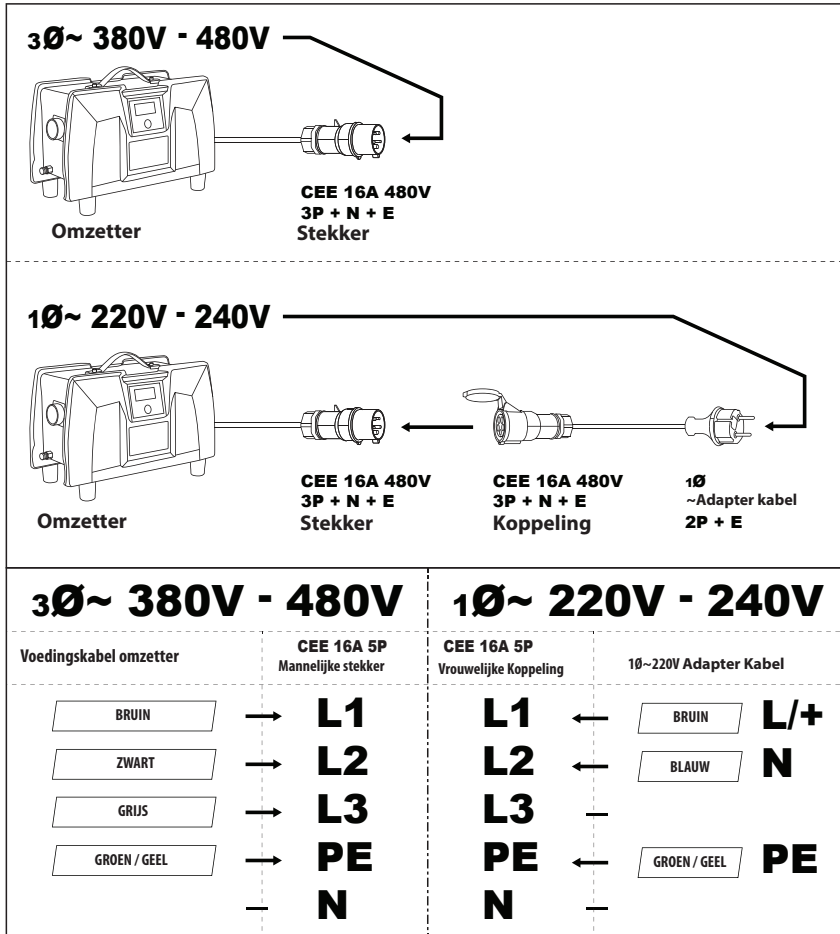
In situaties waar een 3-fasenvoeding niet beschikbaar is, kan deze machine ook gebruikt worden met een éénfasenvoeding van 220 V tot 240 V, met een iets lager vermogen. Gebruik de éénfasige adapterkabel. Als u de éénfasige adapterkabel wordt gebruikt, is de stroom beperkt tot 16 A.

Als er meer vermogen nodig is, en als er een stroomonderbreker van 32 A of groter beschikbaar is, kan de hoofdstekker verwijderd worden, en kan de hoofdvoedingskabel van de omzetter rechtstreeks aangesloten worden op de stroomonderbreker. Sluit in dit geval de draden L1 en L2 aan op de stroomonderbreker, en laat de draad L3 losgekoppeld. Sluit vervolgens de draad van de aarding (massa) aan op de aardverbinding.

**OPMERKING: De bovenvermelde handeling mag alleen uitgevoerd worden door een gekwalificeerde elektricien.**



## VOEDINGSAANSLUITINGEN: DRIE FASEN EN ÉÉN FASE



### INLEIDING

Deze machine is een speciaal elektrisch gereedschap met PMSM -hoogfrequent motor, synchrone motor met permanente magneten) die gebruikt moet worden in combinatie met de bijbehorende spanningsomzetter voor de voeding van het gereedschap. Deze omzetter neemt een éénfase- of driefasenvoeding van 220 tot 480 V, 50 Hz of 60 Hz, en zet deze om in maximaal 600 Hz De verbinding tussen de omzetter en de motor wordt tot stand gebracht met een motorkoppelingskabel met een speciale stecker. De omzetter heeft een stecker voor een driefasenvoeding en één voor gebruik met een éénfasevoeding. De maximale prestaties worden verkregen bij gebruik van een driefasenvoeding van 380V tot 480 V. De prestaties verminderen wanneer een driefasen- of éénfasevoeding van 220 V tot 240 V gebruikt worden vanwege de beperktere elektrische stroom.

Deze machine is uitgerust met twee handgrepen en een bladafscherming. Ze heeft een ingebouwd watertoevoersysteem, dat vereist is voor de koeling en voor het snijden met diamant. De spanningsomzetter heeft een ingebouwde aardlekschakelaar voor de elektrische veiligheid en voor een overbelastings-, thermische -, onderspannings en overspanningsbeveiliging. Deze mag alleen gebruikt worden met een diamantblad. Dit is bedoeld voor het snijden van metselwerk, steen, beton, gewapend beton en soortgelijke materialen. Alle andere vormen van gebruik zijn verboden.

## LIJST VAN INBEGREPEN ONDERDELEN

- Betonzaag
- Spanningsomzetter
- Waterkoppelingsslang
- Eénfasige adapterkabel
- Stel van geleidingsrol
- M17-combinatiesleutel
- Spatscherm
- Vlakzaagset

## MONTAGE

- Monteer het blad. (Zie "Het blad monteren" hieronder)
- Monteer het stel van de geleidingsrol als u dat wenst (zie "Montage van geleidingsrol" hieronder)
- Monteer het spatscherm (zie "Spatscherm" hieronder voor montage-instructies)

## DIAMANTBLADEN

### Toegelaten bladtypes

Op deze machine mogen alleen diamantbladen gebruikt worden

- Gebruik alleen diamantbladen met een gesegmenteerde of ononderbroken rand.
- Als de diamantbladen gesegmenteerd zijn, is de maximaal toelaatbare omtrekafstand tussen de segmenten 10 mm, en moet deze een negatieve spaanhoek hebben.
- Er mogen alleen diamantbladen van 457mm (18") of kleiner gebruikt worden.
- De bladdikte moet ten minste 2,4 mm (0,095") en niet meer dan 6,35 mm (0,250") bedragen.
- De kerndikte van het blad moet ten minste 1,7 mm (0,067") en niet meer dan 4,3 mm (0,169") bedragen.

## OPBERGING EN TRANSPORT VAN BLAD

De machine mag niet opgeborgen of getransporteerd worden terwijl het blad gemonteerd is. Verwijder het blad en berg het zodanig op dat het beschermd is tegen doorbuiging of beschadiging wanneer de machine

niet in gebruik is-zo wordt schade aan het blad gemakkelijker voorkomen.

Een beschadigd blad kan onregelmatige omstandigheden veroorzaken, die kunnen leiden tot onevenwicht, waardoor gevaar ontstaat. Controleer nieuwe bladen altijd op opslag- of transportschade.

## DIAMANTBLADEN

Diamantbladen bestaan uit een stalen kern, met op de omtrek toegevoegde diamantsegmenten.

Er zijn diamantbladen verkrijgbaar voor verschillende hardheden van metselwerkmaterialen, steen, beton, gewapend beton enz.

Sommige diamantbladen zijn alleen ontworpen voor nat gebruik, terwijl andere bladen ontworpen zijn voor droog gebruik. De machine moet altijd gebruikt worden met water, omdat dit noodzakelijk is voor de koeling van de omzetter en de motor. In het algemeen werken diamantgereedschappen altijd beter als ze nat zijn, zelfs als het blad gespecificeerd is als een blad van het droge type. Het water zorgt ervoor dat het blad niet oververhit raakt, het vermindert in grote mate de hoeveelheid schadelijk stof die wordt voortgebracht bij het snijden, het verwijdert de slurry uit de snede en het verlengt de levensduur van het blad.

De met diamant geïmpregneerde segmenten werken volgens een principe van gecontroleerde erosie.

De hechtmatrix die de diamanten vasthoudt wordt slijt voortdurend af door de abrasie met het werkstuk, waardoor de hardere diamanten die uitsteken uit de hechtmatrix blootgesteld worden. Bladen die gemaakt zijn voor het snijden van hardere materialen hebben een zachtere hechting, waardoor de diamanten agressiever kunnen uitsteken (waardoor ze echter minder lang meegaan). Bladen die gemaakt zijn voor het snijden van zachtere, abrasieve materialen hebben een hardere hechting, waardoor ze bestand zijn tegen de abrasiviteit van het materiaal, en langer meegaan. Bij onvoldoende erosie van de hechtmatrix (als de diamanten niet blootgesteld zijn) worden de bladen bot. Dit wordt verglazing genoemd. Een blad dat niet meer snijdt is verglaasd. Zie hieronder: "**Een verglaasd blad slijpen**"

Gebruik nooit een scherpe beweging, omdat het blad hierdoor beschadigd wordt. Boor daarentegen niet te zacht, opdat de diamantsegmenten niet verglazen. Laat het blad constant werken.

Let er zeer goed op dat het blad loodrecht uitgelijnd blijft met de snede. Als het blad scheef zit, blijft het gemakkelijk vastzitten. Wees extra voorzichtig als bij het snijden van gewapend beton ingebed staal wordt aangetroffen. Verminder de uitgeoefende druk ongeveer 1/3, en laat het blad op zijn eigen tempo werken. Als er teveel trilling is, wordt het blad vernietigd. Werk gewoon verder zodra het staal doorboord is.

**OPMERKING: Gebruik een diamantblad van het natte type nooit zonder water. Het kan oververhit raken en vernietigd worden.**

Zorg erbij de montage van het blad altijd voor dat de pijl overeenkomt met de draairichting van de machine (op de bladafscherming is een pijl met de richting aangegeven).

**WAARSCHUWING: Gebruik de bladen nooit voor het snijden van ander materiaal dan het materiaal waarvoor ze bedoeld zijn.**

## EEN VERGLAASD BLAD SLIJPEN

Diamantbladen kunnen verglaasd (bot) worden. Als de diamantsegmenten eenmaal verglaasd zijn, verminderen desnijprestaties van het blad en raken de segmenten oververhit. Om het blad opnieuw te slijpen, verlaagt u de watertoevoer en maakt u enkele sneden in een zeer zacht, abrasief materiaal, zoals een reinigungssteen van aluminiumoxide of siliciumcarbide.

## HET BLAD MONTEREN

Controleer eerst of de stekker van de machine is losgekoppeld.

Grijp vervolgens met de combinatiesleutel van 17 mm de asbout aan, en draai aan de as terwijl u de asvergrendeling indrukt. Wanneer de as in de rechte stand komt, kan de asvergrendeling ingeschakeld worden. De asbout kan dan losgedraaid worden en de vlakke buitenflens kan verwijderd worden.

De binnenflens van deze machine is 1" (25,4 mm). Controleer de binnenflens om na te gaan of de maat overeenkomt met de boring van het blad.

Controleer het blad vóór het gebruik. Het mag niet zodanig gebarsten, vervormd of beschadigd zijn dat het bij gebruik gevaar veroorzaakt. Losse diamantsegmenten kunnen op hoge snelheid uitgeworpen worden, en mogelijke letsels veroorzaken. Controleer altijd of de diamantsegmenten niet ondersneden zijn. Als de diamantsegmenten dunner of bijna dunner zijn dan de bladkern, is de passing van de snede te nauw, en kan er gemakkelijk een terugslag optreden.

Controleer of de flenzen en de blad boring schoon en onbeschadigd zijn, en of alles goed past. De flenzen mogen niet gebruikt worden als ze vervormd zijn, als het oppervlak ongelijk is of bramen vertoont of als ze vuil zijn. De asbout en

de asschroefdraden moeten onbeschadigd zijn. Controleer de bladen op een beschadiging van de segmenten, het asgat of een andere beschadiging die kan leiden tot een gevaarlijke werking.

De uitstekende rand van de binnenflens moet naar het blad gericht zijn. Monteer het blad vervolgens op de binnenflens en voeg de buitenflens toe. Voeg de asbout toe, en haal ze aan tot 15-25 Nm.

**WAARSCHUWING: Probeer geen blad te monteren dat niet past op het bevestigingsmateriaal. Dit leidt tot een excentrische werking en trilling, die niet controleerbaar is.**

## DE BLADAFSCHERMING AFSTELLEN

Vanaf het asuiteinde gezien draait het blad rechtsom. Het vuil, de vonken en de slurry worden vervolgens naar achteren geworpen. De bladafscherming moet dus zodanig afgesteld worden dat de achterrand gelijk ligt met het werkstuk.

## AFSTELLEN

Trek eerst de vergrendelingshendel uit tegen de veerspanning, en draai vervolgens de bladafscherming in de gewenste stand. Laat de vergrendelingshendel ingrijpen in de dichtstbijzijnde sleuf van het scherm,



om deze vast te zetten op zijn plaats.

## SPATSCHERM

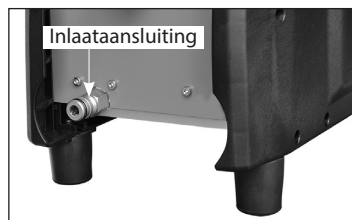
Het spatscherm met veerspanning is nuttig om de slurry die naar achteren spat te helpen tegenhouden. Klem het scherm om het te installeren gewoon vast op zijn plaats op de achterkant van de bladafscherming. Om het te verwijderen moet u het omhoog kantelen, om het los te klikken.

Als het spatscherm niet nodig is, bijvoorbeeld bij droog snijden, mag het vastgeklemd worden op een plaats waar het niet in de weg zit. Bevestig gewoon de mannelijke klem aan de klep met het vrouwelijke oog op de bevestiging. Maak de klem los om het spatscherm te verwijderen.

## WATERAANSLUITING

Water is een basisvereiste voor dit gereedschap, en het is essentieel voor de koeling van de motor en de omzetter. Het water doet ook dienst als koelmiddel om te vermijden dat het werkopervlak van de diamantsegmenten oververhit raakt. Het water zorgt er ook voor dat het stof niet opkomt en dat de abrasieve deeltjes weggespoeld worden.

De omzetter heeft 2 wateraansluitingen. Sluit de watertoevoer aan op een van beide aansluitingen op de omzetter, en verbind vervolgens de andere aansluiting met de motor die gebruik maakt van de waterkoppelingsslang.



**OPGELET: GEBRUIK DIT GEREEDSCHAP NOOIT ZONDER DE WATERSTROOM DOOR DE OMZETTER EN DE MOTOR.**

**OPGELET: ZORG ER BIJ GEBRUIK IN VRIESWEERSOMSTANDIGHEDEN ALTIJD VOOR DAT HET WATER NA HET GEBRUIK VOLLEDIG AFGETAPT WORDT UIT DE MOTOR EN DE OMZETTER. Als er water befrist in de machine, leidt dit tot ernstige schade!**

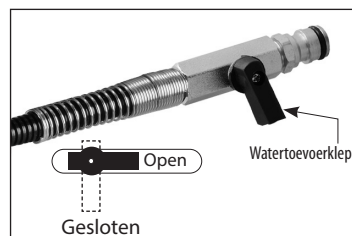
De machine is ontworpen om gekoeld te worden met water, en zonder water raakt ze snel oververhit.

**WAARSCHUWING: Controleer alle aansluitingen van het watertoevoersysteem, om u ervan te verzekeren dat er geen lekken zijn. Controleer de slangen en de andere kritieke onderdelen die kunnen verslijten.**

**WAARSCHUWING: De maximale waterdruk mag niet hoger zijn dan 70 psi (4 bar).**

Gebruik een wateropvangbak met een nat vacuüm om het koelwater op te vangen als er voorwerpen in de buurt waterschade kunnen oplopen.

Het watertoevoersysteem is in de machine ingebouwd. Trek om



de watertoevoer aan te sluiten eerst aan de kraag met snelsluiting, om de vrouwelijke koppeling met de waterslang te verwijderen. Sluit nu de waterkoppeling terug aan op de mannelijke watertoevoerklep. Druk erop tot ze vastklikt.

Het waterdebiet wordt geregeld door de watertoevoerklep. Het water naar het blad kan nauwkeurig ingesteld worden op de vereiste hoeveelheid.

**OPMERKING: Vervuiling in het water kan gemakkelijk leiden tot een verstopping van de fijne watersproeiers in het de bladafscherming. Controleer of het toevoerwater zuiver is. Als u merkt dat er geen waterstroom is naar het blad, moet u het watertoevoersysteem van de machine reinigen met perslucht.**

## DROOG ZAGEN

Wanneer er droog gezaagd moet worden, moet er altijd koelwater door de omzetter en de motor vloeien.

Ontkoppel de originele waterslang van de koppeling op de motor en sluit een lange waterslang (niet bijgevoegd) aan op deze koppeling. Deze langere waterslang kan het stromende koelwater dan omleiden naar een afvoer of een opvangbak, emmer, etc.



## MONTAGE VAN GELEIDINGSROL

De geleidingsrollen maken het gemakkelijker om het bladvlak loodrecht op het werkstuk te houden. Draai voor de installatie de vlinderknop een beetje los, bevestig de vier klauwen aan de vier ogen op de bodem van de motorbehuizing en haal vervolgens de vlinderbout aan.



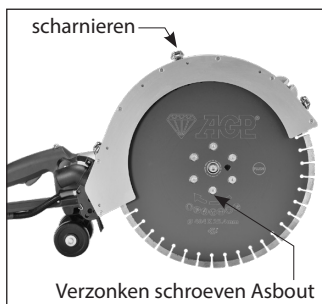
## INSTRUCTIES VOOR VLAENZAAGSET

### INLEIDING

Met deze kit kunt u een vlakzaag (blad niet inbegrepen) monteren op de machine waardoor u vlak kunt zagen terwijl de buitenste bladafdekking tijdelijk verwijderd is.

### ONDERDELENLIJST

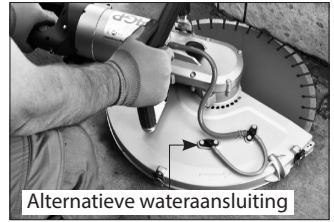
1. Vlakzaagflens
2. Cilinderkop asbout & ring
3. Cilinderkopschroeven met platte klop x 6
4. M5 L-zeskantsleutel
5. M8 L-zeskantsleutel
6. Afdekking vlakzaagblad & schroeven met platte klop x 7



## MONTAGE

Om de vlakzaagkit aan te brengen, moet u eerst de standaard asbout, flenzen en het blad verwijderen zoals uitgelegd in de instructiehandleiding.

1. Verwijder de slang van de wateraansluiting op de buitenste bladafdekking en sluit deze aan op de alternatieve wateraansluiting van de binnenste bladafdekking.
2. Verwijder het spatscherm en de 7 schroeven die de buitenste bladafdekking bevestigen.
3. Zet de 3 tuimelgrendels open en steek de losse grendels in de plastic clips om gekletter te voorkomen.
4. Verwijder de buitenste bladafdekking en berg deze veilig op.
5. Monteer de vlakzaagflens op de spil en bevestig deze met de ring en cilinderkop asbout. Blokkeer de as stevig met de asbout d.m.v. een M8 L-zeskantsleutel.



### **WAARSCHUWING: Gebruik geen afstandsstukken of flenzen onder de vlakzaagflens!**

6. Monteer het vlakzaagblad op de flens. Breng de gaten op één lijn en breng de cilinderkopschroeven met platte klop aan. Zet de schroeven gelijkmatig en kruiselings vast met de M5 L-zeskantsleutel.
7. Monteer de afdekking voor het vlakzaagblad en bevestig dit met de 7 schroeven met platte klop.

### **WAARSCHUWING: Gebruik de machine niet zonder de afdekking voor het vlakzaagblad.**

8. Wanneer het vlakzagen afgerond is, moet u de zaag onmiddellijk omvormen naar de standaard zaagconfiguratie.

### **OPMERKING: Er is ongeveer 1 mm of minder effectieve speling (afhankelijk van de dikte van de diamantsegmenten).**

Aangezien de bladafdekking enigszins flexibel is, kunt u door lichtjes te duwen volledig vlak zagen. Bij het eigenlijke zagen werkt u volledig vlak. Er moet een kleine speling zijn zodat het blad geen schuursporen nalaat op de ondergrond wanneer dit belangrijk is. Om schuursporen te vermijden, mag u niet naar beneden duwen. Om volledig vlak te zagen moet u echter wel een beetje naar beneden duwen.

### **WAARSCHUWING: Steeds werken met de buitenste bladafdekking aanwezig tijdens standaard zaagbewerkingen. Werk nooit zonder de buitenste bladafdekking, behalve bij vlakke zaagbewerkingen.**

### **WAARSCHUWING: Controleer regelmatig dat de schroeven en asbout goed aangespannen zijn.**

### **WAARSCHUWING: Wanneer u tijdens het gebruik ongewone trillingen voelt, moet u onmiddellijk stoppen met werken en de oorzaak zoeken vooraleer verder te gaan.**

## OVERBELASTINGSBESCHERMING, OVERVERHITTINGSBESCHERMING

### Waarschuwinglampje overbelasting & belasting

Wanneer de motor onder spanning staat en vlot werkt binnen het belastingsbereik, brandt het waarschuwinglampje voor belasting groen.

Wanneer de motor werkt in de buurt van het bereik van de volle belasting, knippert het waarschuwinglampje voor belasting rood. Als de volle belasting wordt overschreden en te lang wordt aangehouden, gaat het waarschuwinglampje voor belasting constant rood branden. In dit geval moet de motor uitgeschakeld en daarna opnieuw opgestart worden.



### OPMERKING: Wanneer de motor niet start bij het indrukken van de schakelaar:

**A:** Wanneer de lamp groen knippert, duidt dit op een probleem met de schakelaar.

**B:** Wanneer de lamp vast groen brandt, duidt dit op een probleem met de motor.

**OPMERKING: Bij gebruik van een éénfasevoeding van 16 A, moet de operator zeer goed opletten om niet teveel kracht uit te oefenen. De operator moet het waarschuwinglampje voor belasting in het oog houden en binnen het groene bereik proberen te houden. Een te hoge belasting kan teveel stroom vergen, waardoor de stroomonderbreker van het voedingscircuit gemakkelijk geactiveerd wordt.**

### Thermische Bescherming Tegen Oververhitting

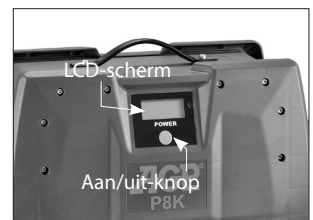
Als de temperatuur van de motor te hoog stijgt, wordt de motor uitgeschakeld door de thermische bescherming. De schakelaar moet in dat geval uitgeschakeld en daarna opnieuw ingeschakeld worden. Begin niet onmiddellijk met snijden als deze situatie zich voordoet. Laat het koelwater altijd enkele minuten door de motor stromen, opdat deze weer op een normale bedrijfstemperatuur komt voordat u verder werkt.

## OPSTELLING

- Verbind de watertoevoer met de waterkoppelingsslang van de omzetter naar de motor.
- Verbind de omzetter met de watertoevoer
- Controleer op waterlekken
- Verbind de motorkoppelingsslang met de omzetter
- Verbind de omzetter met de voeding

## GEBRUIK

- Als de voedingskabel van de spanningsomzetter is aangesloten, wordt de geleverde spanning weergegeven op het LCD-scherm
- Druk op de **AAN/UIT**-knop van de spanningsomzetter om de motor onder spanning te brengen. Op het LCD-scherm wordt "ON"



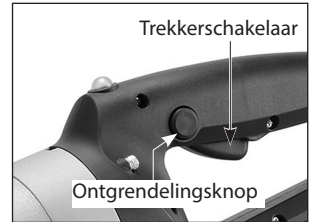


weergegeven, en het waarschuwinglampje voor belasting op de motor licht groen op. Dit is om aan te geven dat de motor nu onder spanning staat en kan bediend worden met de trekkerschakelaar.

## DE SCHAKELAAR

Druk om de machine te starten eerst op de ontgrendelingsknop, en druk vervolgens op de trekkerschakelaar.

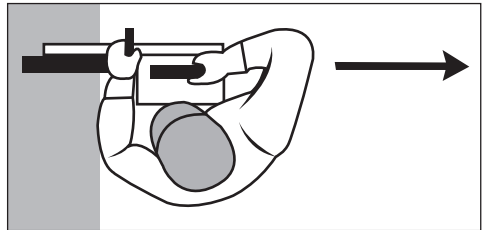
Laat om de machine te stoppen de trekkerschakelaar los, en druk vervolgens op de aan/uit-knop op de spanningsomzetter, om de spanning van de machine te halen.



**OPGELET: Hou sterke magnetische velden weg van de schakelaar en uit de omgeving van de achterkant van de motor. Sterke magnetische velden zouden de machine kunnen beschadigen.**

## VASTHOUDEN VAN DE MACHINE

- Houd de machine altijd met beide handen vast, met de rechterhand op de hoofdhandgreep, en de linkerhand op de zijhandgreep. (Hetzelfde geldt als de operator linkshandig is)
- Ga niet direct in lijn met het blad staan. Neem daarentegen een positie in waarin u bij een terugslag niet in de baan van het blad staat.
- Buig nooit over de baan van het blad heen. Hierdoor komt uw lichaam in de baan van het blad als het terugslaat.
- Maak geen sneden boven de schouderhoogte.
- Maak geen sneden terwijl u op een ladder of op een ander onstabiel platform staat.

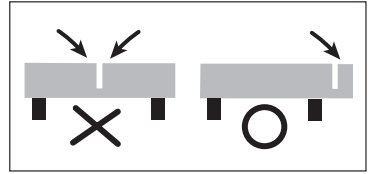


## VÓÓR HET SNIJDEN

- Controleer of het gebied waar de snede moet gemaakt worden vrij is van voorwerpen waarover de operator zou kunnen struikelen.
- Vóór het maken van de snede is het soms nuttig om de snijlijn de markeren met krijt of met iets vergelijkbaars. Voor rechte sneden kan ook een houten plank nuttig zijn, om de machine te geleiden en een rechte snede te verkrijgen.
- Zorg ervoor dat alle omstaanders zich op een veilige afstand bevinden.
- Controleer of alle veiligheidsuitrusting aanwezig is.

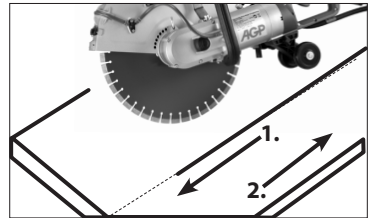
## GOEDE ONDERSTEUNING VOOR HET WERKSTUK

- Ondersteun het werkstuk zodanig dat de snede het blad niet beknelt.
- Zet het werkstuk vast, zodat het niet weggrolt, -glijdt of -beweegt door de trilling tijdens het snijden
- Bij het maken van uitsparingen is de snijvolgorde belangrijk. Zorg ervoor dat u de laatste snede altijd zodanig maakt dat het blad niet geklemd kan raken. Maak daarom eerst de onderste horizontale snede, daarna de sneden aan de zijkanten en tenslotte als laatste de bovenste horizontale snede.
- Houd rekening met het gewicht van het werkstuk en de richting waarin het valt wanneer het wordt doorgesneden.
- In alle gevallen waarin het doorsnijden van het werkstuk leidt tot een gevaarlijke situatie, moet u een vlak van het materiaal intact laten, en het werkstuk afwerken met een beitel of een soortgelijk gereedschap.



## SNIJTECHNIEK

- Houd de machine met beide handen vast om weerstand te bieden tegen het startkoppel, druk op de ontgrendelingsknop en druk vervolgens de trekkerschakelaar in.
- Laat de machine op volle snelheid komen alvorens contact te maken met het werkstuk.
- Regel indien nodig het waterdebiet door aan de watertoevoerklep te draaien.
- Begin dan voorzichtig te snijden met het achtergedeelte van het blad, tot de snede is bepaald. Maak de eerste snede in de voorwaartse richting (zodat u de snijlijn kunt zien). Maak vervolgens sneden in de achterwaartse richting.
- Probeer in één snijbeweging niet te diep te snijden. Snij niet dieper dan ongeveer 50 mm (2") per snijbeweging.
- Het is een goed idee om eerst een ondiepe geleidingsgroef uit te snijden voordat u de hoofdsnede maakt. Als een correctie noodzakelijk is. Til het blad omhoog en snijd een beetje naar voren en dan terug in de aanwezige snede. Zorg ervoor dat het blad niet geklemd raakt. In ronde werkstukken is de beste techniek het gebruik van een langzame, gelijkmatige heen-en-weerbeweging, terwijl u snijdt met het onderste kwadrant van het blad.
- Laat de machine niet vastlopen. Beperk de uitgeoefende druk opdat het blad op hoge snelheid blijft draaien.
- Breng het blad nooit zijwaarts in de snede.



## STOPPEN

Laat de trekker los om de machine te stoppen. Als de trekker is losgelaten, blijft het blad nog even ronddraaien. Zodra de machine volledig tot stilstand is gekomen, moet u de aan/uit-knop op de spanningsomzetter

indrukken om de spanning van de motor te halen.

**WAARSCHUWING: Leg de machine niet neer voordat het blad gestopt is met draaien.**

## ONDERHOUD EN REINIGING

Deze machine werkt in een zeer ruwe omgeving.

Daarom is een grondige reiniging na ieder gebruik essentieel voor de lange levensduur van het gereedschap.

### DAGELIJKS ONDERHOUD

1. Houd de machine schoon
2. Controleer of de motorkoppelingskabel, de voedingskabels en de waterkoppelingslangen in goede staat zijn.
3. Controleer of alle schroeven vastzitten.
4. Controleer de staat van alle veiligheidsuitrusting, zoals de bladafscherming
5. Controleer het blad op schade.

Als een vervanging van de voedingskabel noodzakelijk is, moet deze worden uitgevoerd door de fabrikant of door een vertegenwoordiger van de fabrikant, om veiligheidsgevaar te voorkomen.

**WAARSCHUWING: Alle reparaties moeten worden toevertrouwd aan een geautoriseerd servicecentrum. Verkeerd uitgevoerde reparaties kunnen leiden tot letsels of tot dodelijke ongevallen.**

Verwijder elektrische gereedschappen niet met het huishoudelijke afval!

In overeenstemming met de Europese Richtlijn 2002/96/EG betreffende de Afgedankte Elektrische en Elektronische Apparaten en de omzetting in nationaal recht, moeten elektrische gereedschappen gescheiden ingezameld worden en op een milieuvriendelijke manier gerecycleerd worden.

### CODES VAN LCD-SCHERM SPANNINGSOMZETTER:

**UIT:** Wanneer de omzetter is aangesloten, wordt op het scherm de voedingsspanning weergegeven. De weergegeven spanning is afhankelijk van de spanning van de voeding

**AAN:** Wanneer de knop van de omzetter ingedrukt wordt, wordt op het scherm "ON" weergegeven. Het aangesloten gereedschap staat nu onder spanning

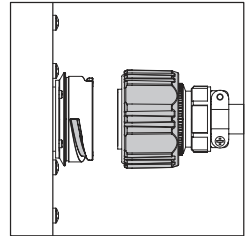
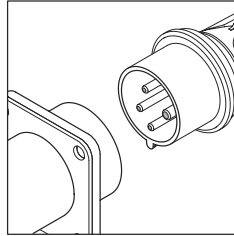
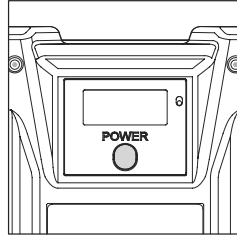
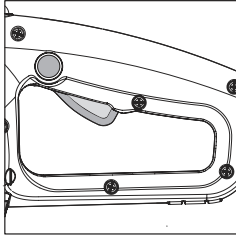
## HULP VOOR PROBLEEMOPLOSSING

**A:**  
Herstart motor door de schakelaar op OFF te zetten en dan weer op ON.

**B:**  
Herstart de omzetter door de startknop op OFF te zetten en dan weer op ON.

**C:**  
Ontkoppel en koppel de stroomvoedingskabel van de omzetter opnieuw.

**D:**  
Ontkoppel en koppel de motorkoppelingskabel opnieuw (tussen motor en omzetter).



## FOUTCODES

Foutcode	Beschrijving	Corrigerende (Oplossende, verbeterende) handeling	Meer uitleg
<b>8888</b>	Communicatie uitgevallen tussen de elektronische printplaat van de motor, de elektronische printplaat van de omzetter en de LCD-module tijdens het inschakelen	<b>D</b>	Controleer de aansluiting van de koppelingskabel
<b>E1</b>	Overbelasting van de omzetter.	<b>A</b>	Zet de schakelaar op het gereedschap UIT en dan weer AAN
<b>E2</b>	Oververhitting van de omzetter	<b>A</b>	Controleer of het water stroomt. Zet de schakelaar op het gereedschap UIT en dan weer AAN zodra de temperatuur weer normaal is
<b>E3</b>	Onderspanning	<b>A</b>	Zet de schakelaar op het gereedschap UIT en dan weer AAN zodra de voedingsspanning weer normaal is
<b>E4</b>	Overspanning	<b>A</b>	Zet de schakelaar op het gereedschap UIT en dan AAN zodra de voedingsspanning weer normaal is
<b>E5</b>	Overmatige terugkerende spanning van de motorrem naar de omzetter	<b>B</b>	Druk op de omzetter de AAN/UIT-knop in om deze UIT en dan weer IN te schakelen (Breng het apparaat naar een geautoriseerd servicecentrum voor reparatie als het probleem blijft optreden)

<b>E6</b>	Detectie van stroomlek door aardlekschakelaar tussen de omzetter en de voedingsspanning	<b>C</b>	Kijk na of alles goed verbonden is, ontkoppel en koppel de stroomvoedingskabel opnieuw, herstart vervolgens de omzetter. (Indien het probleem blijft aanhouden, breng het apparaat naar een erkend service center ter reparatie)
<b>E7</b>	Fout in Hall-sensor	<b>B</b>	Druk op de omzetter de AAN/UIT-knop in om deze UIT en dan weer IN te schakelen (Breng het apparaat naar een geautoriseerd servicecentrum voor reparatie als het probleem blijft optreden)
<b>E8</b>	Oververhitting van motor	<b>A</b>	Controleer of het water stroomt en wacht 20 seconden. Zet de schakelaar op het gereedschap vervolgens UIT en dan weer AAN (als de temperatuur na 20 seconden nog niet voldoende gedaald is, moet u langer wachten tot de temperatuur daalt naar het aanvaardbare bereik)
<b>E91</b>	Communicatie uitgevallen tussen de elektronische printplaat van de omzetter en de LCD-module tijdens de werking	<b>B</b>	Probeer op de omzetter de AAN/UIT-knop in te drukken om deze UIT en dan weer IN te schakelen. (Breng het apparaat naar een geautoriseerd servicecentrum voor reparatie als het probleem blijft optreden)
<b>E92</b>	Communicatie uitgevallen tussen de elektronische printplaat van de motor en de LCD-module tijdens de werking	<b>B</b>	Controleer de aansluiting van de koppelingskabel. Probeer vervolgens op het gereedschap de schakelaar UIT en dan weer AAN te zetten (Breng het apparaat naar een geautoriseerd servicecentrum voor reparatie als het probleem blijft optreden)
<b>E10</b>	Slechte aansluitingen van voedingskabel -één fase	<b>C</b>	Controleer de aansluitingen van de voedingsstekker en -kabel
<b>E11</b>	Spanningslek tussen de omzetter en het gereedschap	<b>C</b>	Controleer de aansluitingen, en druk vervolgens op de omzetter de AAN/UIT-knop in om deze UIT en dan weer IN te schakelen (Breng het apparaat naar een geautoriseerd servicecentrum voor reparatie als het probleem blijft optreden)
<b>E12</b>	Slechte aansluitingen van voedingskabel -drie fasen	<b>C</b>	Controleer de aansluitingen van de voedingsstekker en -kabel
<b>E15</b>	Intern probleem in het circuit van de elektronische printplaat van de omzetter	<b>C</b>	Probeer op de omzetter de AAN/UIT-knop in te drukken om deze UIT en dan weer IN te schakelen (Breng het apparaat naar een geautoriseerd servicecentrum voor reparatie als het probleem blijft optreden)
<b>E16</b>	Geen signaal van de motortemperatuursensor	<b>A</b>	Probeer op het gereedschap de schakelaar UIT en dan weer AAN te zetten (Breng het apparaat naar een geautoriseerd servicecentrum voor reparatie als het probleem blijft optreden)
<b>E17</b>	Kortsluiting in motortemperatuursensor	<b>A</b>	Probeer op het gereedschap de schakelaar UIT en dan weer AAN te zetten (Breng het apparaat naar een geautoriseerd servicecentrum voor reparatie als het probleem blijft optreden)

