

AGE[®]

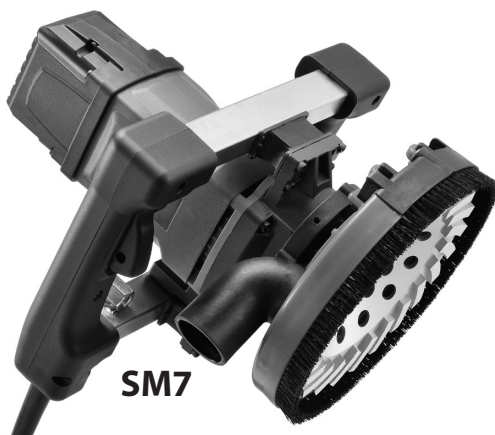
ORIGINAL INSTRUCTIONS

For your personal safety, **READ** and **UNDERSTAND** before using.

SAVE THESE INSTRUCTIONS FOR FUTURE REFERENCE.



G5



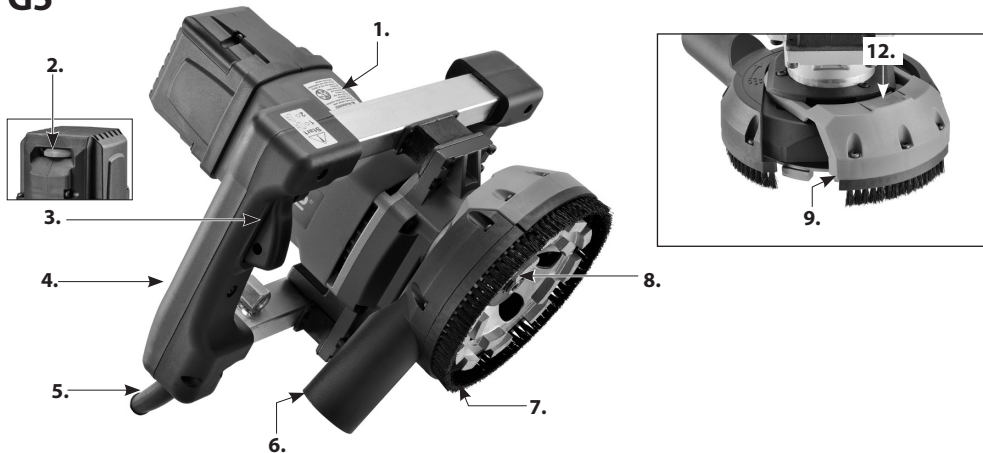
SM7



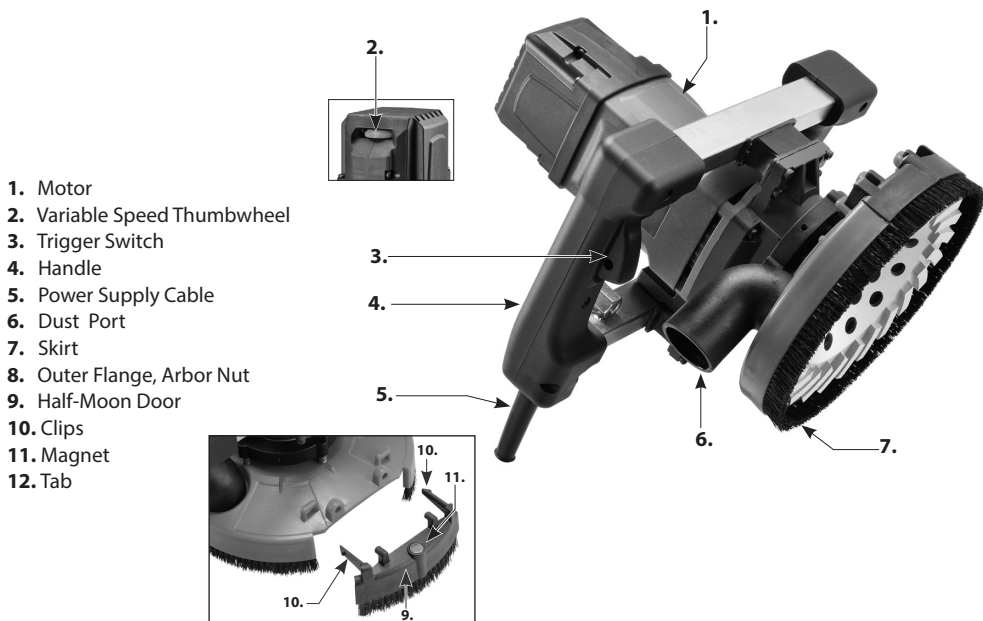
GB	Concrete Grinder	Safety instructions	2
DE	Betonschleifer	Sicherheitshinweise	21
FR	Ponceuse A Béton	Instructions de sécurité	37
ES	Amoladora Para Hormigón	Instrucciones de seguridad	53
IT	Smerigliatrice per Calcestruzzo	Indicazioni per la sicurezza	69
NL	Betonslijper	Veiligheidsvoorschriften	85

Model	G5	SM7
Power Input	110-120V:1700W, 220-240V:2200W	
Voltage	110-120V~ 50-60Hz, 220-240V~ 50-60Hz (See machine nameplate)	
No Load/min ⁻¹	4500 ~ 9500	3200 - 6500
Wheel Diameter	125mm (5")	180mm (7")
Spindle Thread	M14	M14
Arbor	22.23mm (7/8")	22.23mm (7/8")
Dimensions	246mm x 280mm x 325mm	
Weight	5.75kg(12.65Lbs)	5.74kg (12.62Lbs)

G5



SM7



- 1. Motor
- 2. Variable Speed Thumbwheel
- 3. Trigger Switch
- 4. Handle
- 5. Power Supply Cable
- 6. Dust Port
- 7. Skirt
- 8. Outer Flange, Arbor Nut
- 9. Half-Moon Door
- 10. Clips
- 11. Magnet
- 12. Tab

General Safety Rules



WARNING! Read all safety warnings and all instructions. Failure to follow the warnings and instructions may result in electric shock, fire and/or serious injury.

Save all warnings and instructions for future reference.

The term “power tool” in the warnings refers to your mains-operated (corded) power tool or battery-operated (cordless) power tool.

1. WORK AREA SAFETY

- a. **Keep work area clean and well lit.** Cluttered and dark areas invite accidents.
- b. **Do not operate power tools in explosive atmospheres, such as in the presence of flammable liquids, gases or dust.** Power tools create sparks which may ignite the dust or fumes.
- c. **Keep children and bystanders away while operating a power tool.** Distractions can cause you to lose control.
- d. **Never leave the electric power tool unattended.** Only leave the machine when the tool in use has come to a complete standstill.

2. ELECTRICAL SAFETY

- a. **Power tool plugs must match the outlet. Never modify the plug in any way. Do not use any adapter plugs with earthed (grounded) power tools.** Unmodified plugs and matching outlets will reduce risk of electric shock.
- b. **Avoid body contact with earthed or grounded surfaces, such as pipes, radiators, ranges and refrigerators.** There is an increased risk of electric shock if your body is earthed or grounded.
- c. **Do not expose power tools to rain or wet conditions.** Water entering a power tool will increase the risk of electric shock.
- d. **Do not abuse the cord. Never use the cord for carrying, pulling or unplugging the power tool. Keep cord away from heat, oil, sharp edges or moving parts.** Damaged or entangled cords increase the risk of electric shock.
- e. **When operating a power tool outdoors, use an extension cord suitable for outdoor use.** Use of a cord suitable for outdoor use reduces the risk of electric shock.
- f. **If operating a power tool in a damp location is unavoidable, use a residual current device (RCD) protected supply.** Use of an RCD reduces the risk of electric shock.

3. PERSONAL SAFETY

- a. **Stay alert, watch what you are doing and use common sense when operating a power tool. Do not use a power tool while you are tired or under the influence of drugs, alcohol or medication.** A

moment of inattention while operating power tools may result in serious personal injury.

- b. Use personal protective equipment. Always wear eye protection.** Protective equipment such as dust mask, non-skid safety shoes, hard hat, or hearing protection used for appropriate conditions will reduce personal injuries.
- c. Prevent unintentional starting. Ensure the switch is in the off-position before connecting to power source and/or battery pack, picking up or carrying the tool.** Carrying power tools with your finger on the switch or energising power tools that have the switch on invites accidents.
- d. Remove any adjusting key or wrench before turning the power tool on.** A wrench or a key left attached to a rotating part of the power tool may result in personal injury.
- e. Do not overreach. Keep proper footing and balance at all times.** This enables better control of the power tool in unexpected situations.
- f. Dress properly. Do not wear loose clothing or jewellery. Keep your hair and clothing away from moving parts.** Loose clothes, jewellery or long hair can be caught in moving parts.
- g. If devices are provided for the connection of dust extraction and collection facilities, ensure these are connected and properly used.** Use of dust collection can reduce dust-related hazards.
- h. Do not let familiarity gained from frequent use of tools allow you to become complacent and ignore tool safety principles.** A careless action can cause severe injury within a fraction of a second.

4. POWER TOOL USE AND CARE

- a. Do not force the power tool. Use the correct power tool for your application.** The correct power tool will do the job better and safer at the rate for which it was designed.
- b. Do not use the power tool if the switch does not turn it on and off.** Any power tool that cannot be controlled with the switch is dangerous and must be repaired.
- c. Disconnect the plug from the power source and/or battery pack from the power tool before making any adjustments, changing accessories, or storing power tools.** Such preventive safety measures reduce the risk of starting the power tool accidentally.
- d. Store idle power tools out of the reach of children and do not allow persons unfamiliar with the power tool or these instructions to operate the power tool.** Power tools are dangerous in the hands of untrained users.
- e. Maintain power tool and accessories. Check for misalignment or binding of moving parts, breakage of parts and any other condition that may affect the power tool's operation. If damaged, have the power tool repaired before use.** Many accidents are caused by poorly maintained power tools.
- f. Keep cutting tools sharp and clean.** Properly maintained cutting tools with sharp cutting edges are less likely to bind and are easier to control.
- g. Use the power tool, accessories and tool bits etc. in accordance with these instructions taking into account the working conditions and the work to be performed.** Use of the power tool for operations different from those intended could result in a hazardous situation.
- h. Keep handles and grasping surfaces dry, clean and free of oil and grease.** Slippery handles do not allow for safe handling and control of the tool in unexpected situations.

5. SERVICE

- a. **Have your power tool serviced by a qualified repair person using only identical replacement parts.** This will ensure that the safety of the power tool is maintained.
- b. **Only use original parts for repair and maintenance.** The use of incompatible accessories or spare parts can result in electric shocks or other injuries.

Symbols used in this manual

V.....volts

A.....amperes

Hz.....hertz

W.....watt

~.....alternating current

nrated speed

min⁻¹.....revolutions or reciprocation
per minute



.....warning of general danger



.....class II tool



.....read these instructions



.....always wear eye protection



.....always wear a dust mask.



.....always wear hearing protection



.....wear safety-approved hard hat



do not dispose of electric tools,
accessories and packaging together
with household waste material

Safety Warnings for Concrete Grinders

Safety Warnings Common for Grinding

- **This power tool is intended to function as a grinder. Read all safety warnings, instructions, illustrations and specifications provided with this power tool.** Failure to follow all instructions listed below may result in electric shock, fire and/or serious injury.
- **Operations such as sanding, wire brushing, polishing or cutting-off are not recommended to be performed with this power tool.** Operations for which the power tool was not designed may create a hazard and cause personal injury.
- **Do not use accessories which are not specifically designed and recommended by the tool manufacturer.** Just because the accessory can be attached to your power tool, it does not assure safe operation.
- **The rated speed of the accessory must be at least equal to the maximum speed marked on the power tool.** Accessories running faster than their rated speed can break and fly apart.
- **The outside diameter and the thickness of your accessory must be within the capacity rating of your power tool.** Incorrectly sized accessories cannot be adequately guarded or controlled.
- **Threaded mounting of accessories must match the grinder spindle thread. For accessories mounted by flanges, the arbour hole of the accessory must fit the locating diameter of the flange.** Accessories that do not match the mounting hardware of the power tool will run out of balance, vibrate excessively

and may cause loss of control.

- **Do not use a damaged accessory. Before each use inspect the accessory such as abrasive wheels for chips and cracks, backing pad for cracks, tear or excess wear, wire brush for loose or cracked wires. If power tool or accessory is dropped, inspect for damage or install an undamaged accessory. After inspecting and installing an accessory, position yourself and bystanders away from the plane of the rotating accessory and run the power tool at maximum no-load speed for one minute.** Damaged accessories will normally break apart during this test time.
- **Wear personal protective equipment. Depending on application, use face shield, safety goggles or safety glasses. As appropriate, wear dust mask, hearing protectors, gloves and workshop apron capable of stopping small abrasive or workpiece fragments.** The eye protection must be capable of stopping flying debris generated by various operations. The dust mask or respirator must be capable of filtering particles generated by your operation. Prolonged exposure to high intensity noise may cause hearing loss.
- **Keep bystanders a safe distance away from work area. Anyone entering the work area must wear personal protective equipment.** Fragments of workpiece or of a broken accessory may fly away and cause injury beyond immediate area of operation.
- **Hold the power tool by insulated gripping surfaces only, when performing an operation where the cutting accessory may contact hidden wiring or its own cord.** Cutting accessory contacting a “live” wire may make exposed metal parts of the power tool “live” and could give the operator an electric shock.
- **Position the cord clear of the spinning accessory.** If you lose control, the cord may be cut or snagged and your hand or arm may be pulled into the spinning wheel.
- **Never lay the power tool down until the accessory has come to a complete stop.** The spinning wheel may grab the surface and pull the power tool out of your control.
- **Do not run the power tool while carrying it at your side.** Accidental contact with the spinning accessory could snag your clothing, pulling the accessory into your body.
- **Regularly clean the power tool’s air vents.** The motor’s fan will draw the dust inside the housing and excessive accumulation of powdered metal may cause electrical hazards.
- **Do not operate the power tool near flammable materials.** Sparks could ignite these materials.
- **Do not use accessories that require liquid coolants.** Using water or other liquid coolants may result in electrocution or shock.

Kickback and related warnings

- Kickback is a sudden reaction to a pinched or snagged rotating wheel, backing pad, brush or any other accessory. Pinching or snagging causes rapid stalling of the rotating accessory which in turn causes the uncontrolled power tool to be forced in the direction opposite of the accessory’s rotation at the point of the binding. For example, if an abrasive wheel is snagged or pinched by the workpiece, the edge of the wheel that is entering into the pinch point can dig into the surface of the material causing the wheel to climb out or kick out. The wheel may either jump toward or away from the operator, depending on direction of the wheel’s movement at the point of pinching. Abrasive wheels may also break under these conditions. Kickback is the result of power tool misuse and/or incorrect operating procedures or conditions and can be avoided by taking proper precautions as given below.
- **Maintain a firm grip on the power tool and position your body and arm to allow you to resist kickback forces. Always use auxiliary handle, if provided, for maximum control over kickback or torque reaction during start-up.** The operator can control torque reactions or kickback forces, if proper precautions are taken.

- **Never place your hand near the rotating accessory.** Accessory may kickback over your hand.
- **Do not position your body in the area where power tool will move if kickback occurs.** Kickback will propel the tool in direction opposite to the wheel's movement at the point of snagging.
- **Use special care when working corners, sharp edges, etc. Avoid bouncing and snagging the accessory.** Corners, sharp edges or bouncing have a tendency to snag the rotating accessory and cause loss of control or kickback.
- **Do not attach a saw chain woodcarving blade or toothed saw blade.** Such blades create frequent kickback and loss of control.

Additional safety instructions for grinding

- **Use only wheel types that are recommended for your power tool and the specific guard designed for the selected wheel.** Wheels for which the power tool was not designed cannot be adequately guarded and are unsafe.
- **The grinding surface of the centre depressed wheels must be mounted below the plane of the guard lip.** An improperly mounted wheel that projects through the plane of the guard lip cannot be adequately protected.
- **The guard must be securely attached to the power tool and positioned for maximum safety, so the least amount of wheel is exposed towards the operator.** The guard helps to protect operator from broken wheel fragments, accidental contact with wheel and sparks that could ignite clothing.
- **Wheels must be used only for recommended applications. For example: do not grind with the side of the cut-off wheel.** Abrasive cut-off wheels are intended for peripheral grinding; side forces applied to these wheels may cause them to shatter.
- **Always use undamaged wheel flanges that are of correct size and shape for your selected wheel.** Proper wheel flanges support the wheel thus reducing the possibility of wheel breakage. Flanges for cut-off wheels may be different from grinding wheel flanges.
- **Do not use worn down reinforced wheels from larger power tools.** Wheels intended for larger power tools are not suitable for the higher speed of a smaller tool and may burst.

ELECTRICAL CONNECTION

The network voltage must conform to the voltage indicated on the tool name plate. Under no circumstances should the tool be used when the power supply cable is damaged. A damaged cable must be replaced immediately by an authorized Customer Service Center. Do not try to repair the damaged cable yourself. The use of damaged power cables can lead to an electric shock.

WARNING: Never operate a damaged machine. Always tag a damaged machine and take it out of service until repairs can be made.

SAFETY SYMBOLS

CAUTION: Indicates a potentially hazardous situation, which, if not avoided may result in minor or moderate injury. It may also be used to alert against unsafe practices that may cause property damage.

DANGER: Indicates an imminently hazardous situation which if not avoided will result in death or serious injury.

WARNING: Indicates a potentially hazardous situation which if not avoided will result in death or serious injury.

BEFORE USING THIS TOOL

WARNING: Some dust created by the power sanding, sawing, grinding, drilling and other construction activities contains chemicals known to cause cancer, birth defects or other reproductive harm. Some examples of these chemicals are:

- Lead from lead-based paints
- Crystalline silica from bricks, cement and other masonry products
- Arsenic and chromium from chemically treated lumber.

Your risk from these exposures varies, depending on how often you do this type of work. To reduce your exposure to these chemicals, work in a well-ventilated area and work with approved safety equipment such as dust masks specially designed to filter out microscopic particles.

WARNING: To reduce the risk of mistakes that could cause serious or permanent injury, do not plug the machine in until the following steps have been completed.

- Learn the use and function of the ON-OFF switch.
- Review and understand all Safety Instructions and Operating Procedures in this manual.
- Review the maintenance methods for this tool.

REDUCE THE RISK OF DANGEROUS ENVIRONMENT

- Use the machine in a dry or indoor place protected from rain.
- Place the machine so that neither the user nor bystanders are forced to stand in line with Machine. Thrown debris could injure people in its path.

BEFORE EACH USE INSPECT YOUR MACHINE

- Disconnect the Power Scouring Machine from its power source to reduce the risk of injury from accidentally starting, before changing any setup.
- Check for proper alignment of moving parts.
- Check for damaged electric cords.
- Check for binding of moving parts.
- Check for broken parts.
- Ensure work piece is stable
- Check for other conditions that may affect the way the machine works.

Maintain Tools With Care. Keep the machine clean for best and safest performance. Follow instructions for lubricating.

TO REDUCE THE RISK OF INJURY FROM JAMS, SLIPS OR THROWN PIECES

- To reduce the risk of burns or other fire damage, never use the machine near flammable liquids, vapors or gases,
- Make sure all clamps are tight and there is no excessive play in any parts,
- Keep Work Area Clean. Cluttered areas and benches invite accidents. Floor must not be slippery.

Know Your Machine. Read and thoroughly understand the Operator's Manual and labels affixed to the tool. Learn its applications and limitations as well as the specific potential for hazards peculiar to this tool. To reduce the risk of injury from accidental contact with moving parts, don't do layout, assembly, or setup work on the machine while any parts are moving.

WHENEVER MACHINE IS RUNNING

WARNING: Don't allow familiarity (gained from frequent use of the Power tool) cause a careless mistake. A careless fraction of a second is enough to cause a severe injury.

If the machine makes an unfamiliar noise or vibrates a lot, STOP IMMEDIATELY. Turn the tool OFF. Unplug the machine. Do not restart until finding and correcting the problem. Make sure all visitors, bystanders and children are clear of tool and work piece.

BEFORE FREEING JAMMED MATERIAL

- Turn tool "OFF" by releasing trigger switch,
- Wait for all moving parts to stop,
- Unplug the machine.

NEVER LEAVE RUNNING TOOL UNATTENDED

- Turn power "OFF"
- Wait for all moving parts to stop,
- Unplug the machine

WARNING: The operation of any power tool can result in foreign objects being thrown into your eyes, which can result in severe eye damage. Before beginning tool operation always wear safety goggles with side shields and a full-face shield when needed. We recommend a Wide Vision Safety Mask for use over eyeglasses or standard safety glasses with side shields.

MAKE WORKSHOP CHILD PROOF

Lock the shop.

Disconnect master switches.

Store tool away from children and others not qualified to use the tool.

Look for this symbol to point out important safety precautions. It means ATTENTION!!! Your safety is involved .

MOTOR AND ELECTRICAL REQUIREMENTS

WARNING: To reduce the risk of electrical hazards, fire hazards or damage to the tool, use proper circuit protection. To reduce the risk of shock or fire, if the power cord is worn or cut, or damaged in any way, have it replaced immediately.

WARNING: Do not permit fingers to touch the terminals of plug when installing or removing the plug from the outlet to avoid injury or possible death from electrical shock.

MOTOR SAFETY PROTECTION

IMPORTANT: To avoid motor damage, this motor should be blown out or vacuumed frequently to keep dust from interfering with normal motor ventilation.

1. Connect this tool to a power source with the appropriate voltage for your model.
2. If the motor won't start, turn the switch "OFF" immediately and unplug the tool.
3. If the motor suddenly stalls while milling, release the trigger switch and unplug the tool. The motor may now be restarted.
4. Fuses may "blow" or circuit breakers may trip frequently for the following reasons:
 - a. **Motor Is Overloaded** - Overloading can occur if you make too many start/stops in a short time.
 - b. Line voltages should not be more than 10% above or below the nameplate voltage. For heavy loads, however, the voltage at motor terminals must equal the voltage specified for your model. Improper or dull milling head is being used.
5. Most motor troubles may be traced to loose or incorrect connections, overload, low voltage, (such as small size wire in the supply circuit) or to an overly long supply circuit wire. Always check the connections, the load and the supply circuit whenever motor doesn't work well. Check wire sizes and length with the Wire Size Chart.

UNPACKING

WARNING: To reduce the risk of injury from unexpected starting or electrical shock, do not plug the power cord into a power source outlet during unpacking and assembly. The cord must remain unplugged whenever you are working on the tool.
Your tool is shipped complete in one box.

Remove the tool and all loose parts from the carton. Place all parts on a secure, stationary work surface and look the machine over carefully.

LIST OF PARTS

List of Contents

Basic Assembly.....	1
Operator's Manual.....	1

Side Handle.....	1
Lock Nut Wrench.....	1
Face Spanner Wrench.....	1
L-Hex Wrench.....	1
Flanges.....	2

RECOMMENDED ACCESSORIES

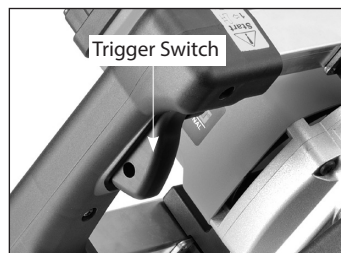
This machine may only be used with diamond cup wheels of 125mm diameter for G5 and 180mm for SM7 with 22.23mm (7/8") arbor hole or with M14 female thread. All other uses are prohibited. Bonded abrasive accessories are not allowed to be used with this machine.

BASIC OPERATION

NOTE: Make sure that the power circuit voltage is the same as that shown on the specification plate of the machine and that switch is "OFF" before connecting the tool to the power circuit.

THE SWITCH

The machine has a lockable trigger switch. Squeeze the trigger to start the machine. To lock the switch on, press the lock button while holding the trigger switch on. To release, squeeze the trigger and release.



CAUTION: After the machine has been switched off, the spindle will continue rotating. Take care that parts of your body do not come into contact with the rotating parts or set the machine down while it is still rotating!

HOW TO USE THE TOOL

Effective control of this machine requires **two-handed** operation for maximum protection and resistance to the start-up and operating torque. Place the work properly and hold the machine firmly **WITH BOTH HANDS** to prevent loss of control, which could cause personal injury. Protect your eyes from injury with safety glasses or goggles.

OVERLOAD

This machine is equipped with overload protection which will shut off the motor if the maximum allowable current is exceeded. If the overload trips, remove from the work surface, release the switch and then switch back on. The machine will restart.

CAUTION: Whenever the machine overloads, always run the machine at no load for a few minutes to allow the temperature to return to normal before proceeding to work.

SPEED STABILIZATION

This machine is equipped with an electronic speed stabilization system which maintains constant speed under load.

VARIABLE SPEED FUNCTION

The motor's speed can be varied to suit the needs of different work situations. Turn the Variable Speed Thumbwheel clockwise to increase speed and anti-clockwise to decrease.



VACUUM CONNECTION

WARNING: Dust developing while working can be harmful to one's health.

This machine is designed specifically for dry grinding of concrete and similar materials. It uses dry diamond cup wheels and must be used with a suitable vacuum cleaner. Never exhaust the dust directly into the atmosphere.

To attach vacuum hose to Dust Port, hold machine firmly with one hand. Then with a twisting motion push the vacuum hose onto the Dust Port.

SAFETY GUARD

The Safety Guard (ie. the Skirt) must be used at all times when operating this machine. It is not adjustable. The Half-Moon Door may be temporarily removed to expose the Edge Cut-Out. See below.

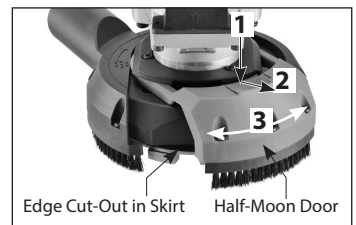
THE EDGE CUT-OUT

When working against a wall or into a corner, the Skirt will prevent the grinding head from reaching all the way to the edge.

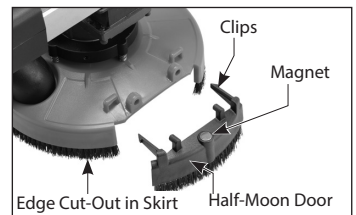
On the G5 model, press the Tab, slide the Half-Moon Door outward to unlock, then rotate the Half-Moon Door to the side until it clicks.

NOTE: Keep the mechanism clean. Accumulated dust will make it difficult to open.

On the SM7, one may remove the Half-Moon Door by pushing inward on the two clips. This will expose the Edge Cut-Out in the skirt. The Half-Moon Door may be temporarily adhered to the handle crossbar using its magnet. This will allow the Grinding Head reach right up to the edge. Dust collection will not be ideal so replace the door as soon as access to the Edge Cut-Out is no longer needed.



G5



SM7

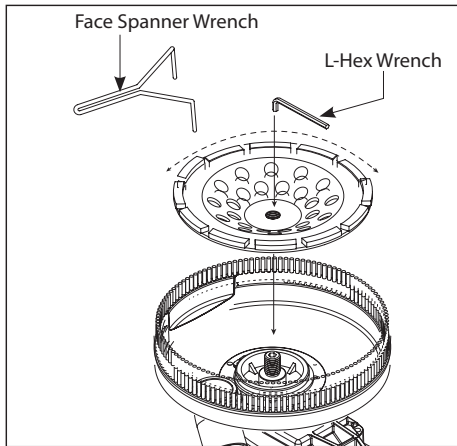
TOOL CHANGE – Removing and Replacing Diamond Cup Wheel

CAUTION: Before Working on or adjusting the machine, switch the machine “OFF” and UNPLUG machine from the socket.

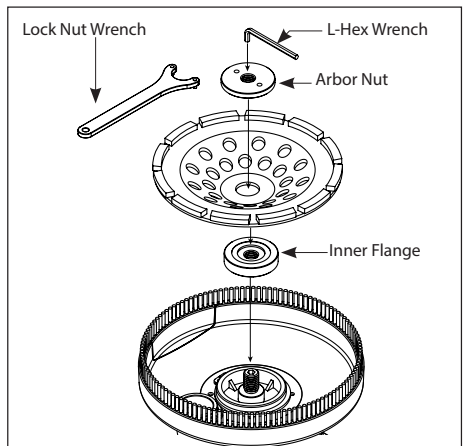
CAUTION: The wheel can become very hot during the working process. Before replacing, allow the wheel to cool down

1. Place the machine on a level and sturdy workspace.
2. If using a diamond cup wheel with M14 female thread, do not use the flanges. Simply thread the wheel onto the spindle. Use the L-Hex Wrench to keep the spindle from turning and tighten the wheel using the Face Spanner Wrench.
3. If using a diamond cup wheel with arbor hole, first mount the inner flange onto the spindle. Mount the wheel onto the shoulder of the Inner Flange, then thread on the Arbor Nut. Use the L-Hex Wrench to keep the spindle from turning and tighten the Arbor Nut with the Lock Nut Wrench.
4. Replacement is the opposite of removal.

INSTALLING DIAMOND CUP WHEELS W/ M14 FEMALE THREAD.



INSTALLING DIAMOND CUP WHEELS WITH ARBOR HOLE.



STORAGE

CAUTION: Do not store machine resting on its bristles – Store on its side.

CAUTION: Do not store machine with its power supply cable pinched. This will result in damage to the cable.

REPLACING DUST SKIRT BRUSHES

On G5 models, the dust skirt brushes may be replaced when worn. To replace, remove the 3 screws to replace the small brush on the half moon door and remove the 6 screws to replace the large brush on the dust skirt.

REPLACING CARBON BRUSHES

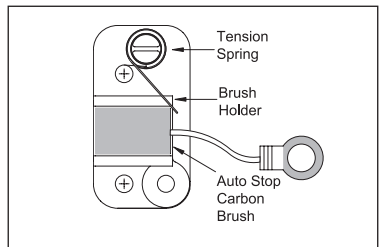
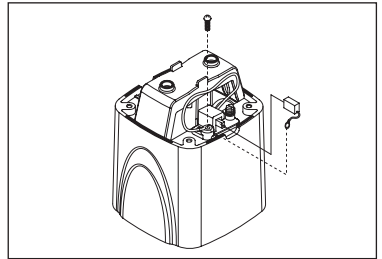
The carbon brushes are a normal wearing part and must be replaced when they reach their wear limit.

CAUTION: Always replace the brushes as a pair.

To replace:

Remove the four screws and remove tail cover.
Using pliers, rotate the brush spring out of the way and slide old carbon brush out of the brush holder.
Unscrew the screw to remove the brush lead. The old carbon brush may now be lifted away.
Install a new brush. Installation is the reverse of removal.
Replace the motor tail cover.

NOTE: To reinstall the same brushes, first make sure the brushes go back in the way they came out. Otherwise a break-in period will occur that will reduce motor performance and increase brush wear. It is recommended that, at least once a year, you take the tool to an Authorized Service Center for a thorough cleaning and lubrication.



MAINTENANCE

WARNING: To reduce the risk of injury from unexpected starting or electrical shock, unplug the power cord before working on the machine.

Keep the tool clean. Remove accumulated dust from working parts. Make sure that the tool operates properly. Periodically check screws and bolts for tightness.

KEEPING TOOL CLEAN

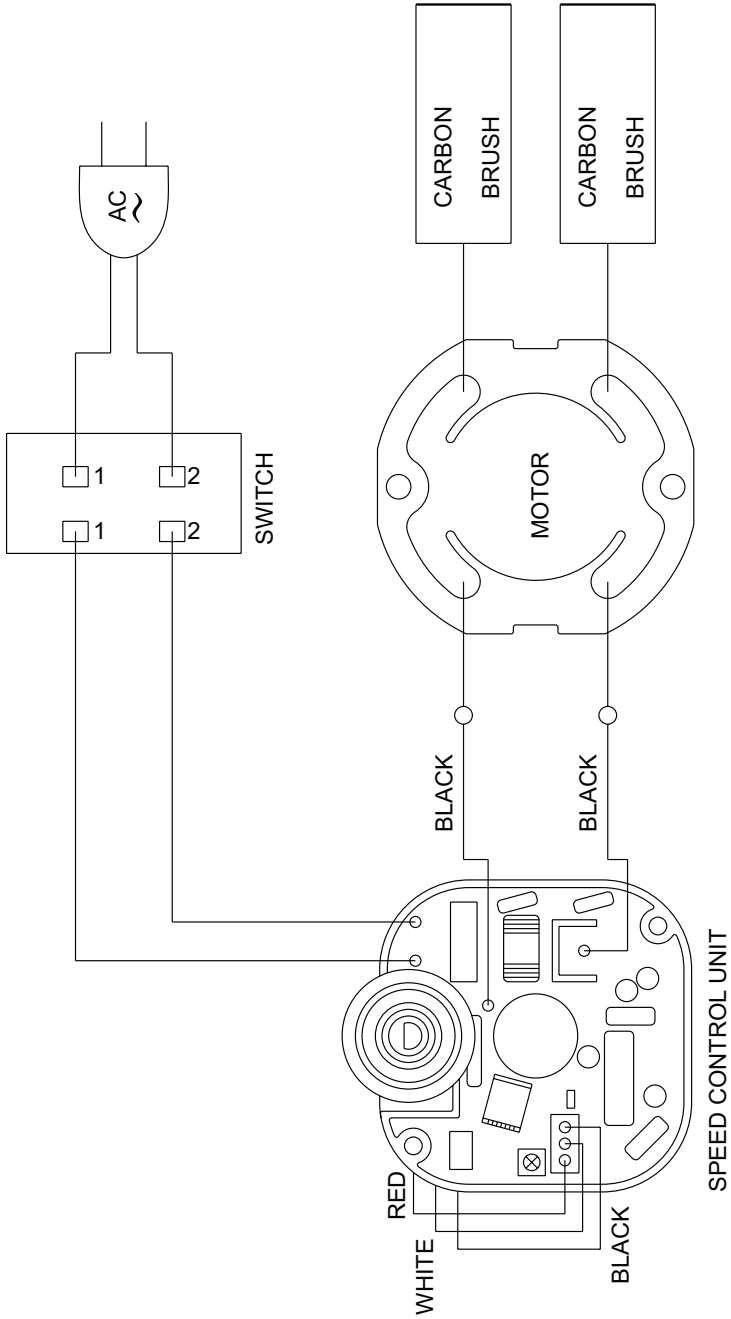
Keep the machine and air inlet louver clean at all times to ensure correct and safe working. Under extreme application conditions involving metal, dust can enter the interior of the machine. The protective insulation of the machine can be adversely affected. In such cases the machine should be blown out regularly through the air inlet louver. It is recommended that a vacuum attachment be used.

WARNING: To ensure safety and reliability, all repairs, with the exception of externally accessible brushes, should be performed at an Authorized Service Center.

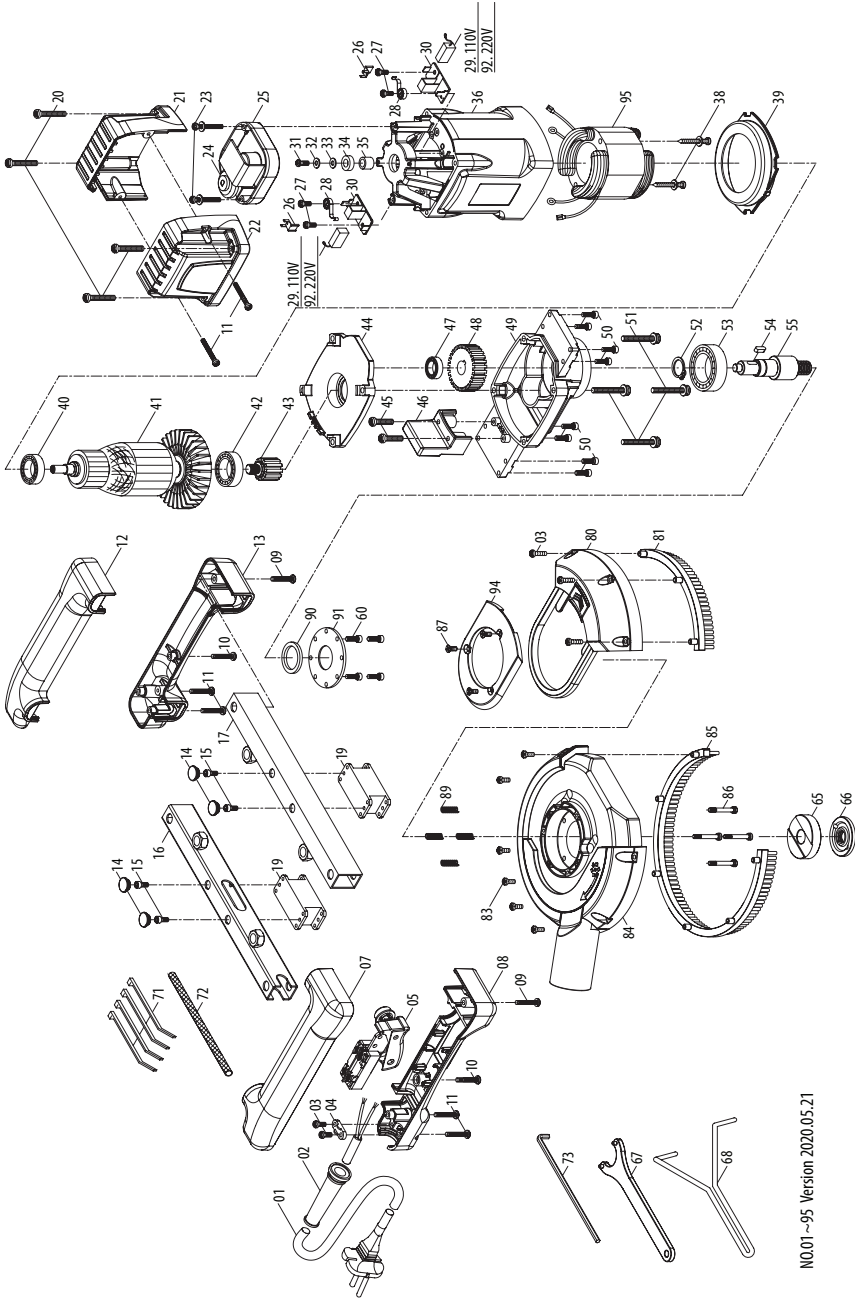
WARNING: If the replacement of the power supply cord is necessary, this has to be done by the manufacturer or their agent in order to avoid a safety hazard.

Do not throw electric power tools into the household waste! In accordance with the European Directive 2002/96/EG on Waste Electrical and Electronic Equipment and transposition into national law, used electric power tools must be collected separately and recycled in an environmentally friendly manner.

—GB—
WIRING



EXPLODED VIEW (G5)

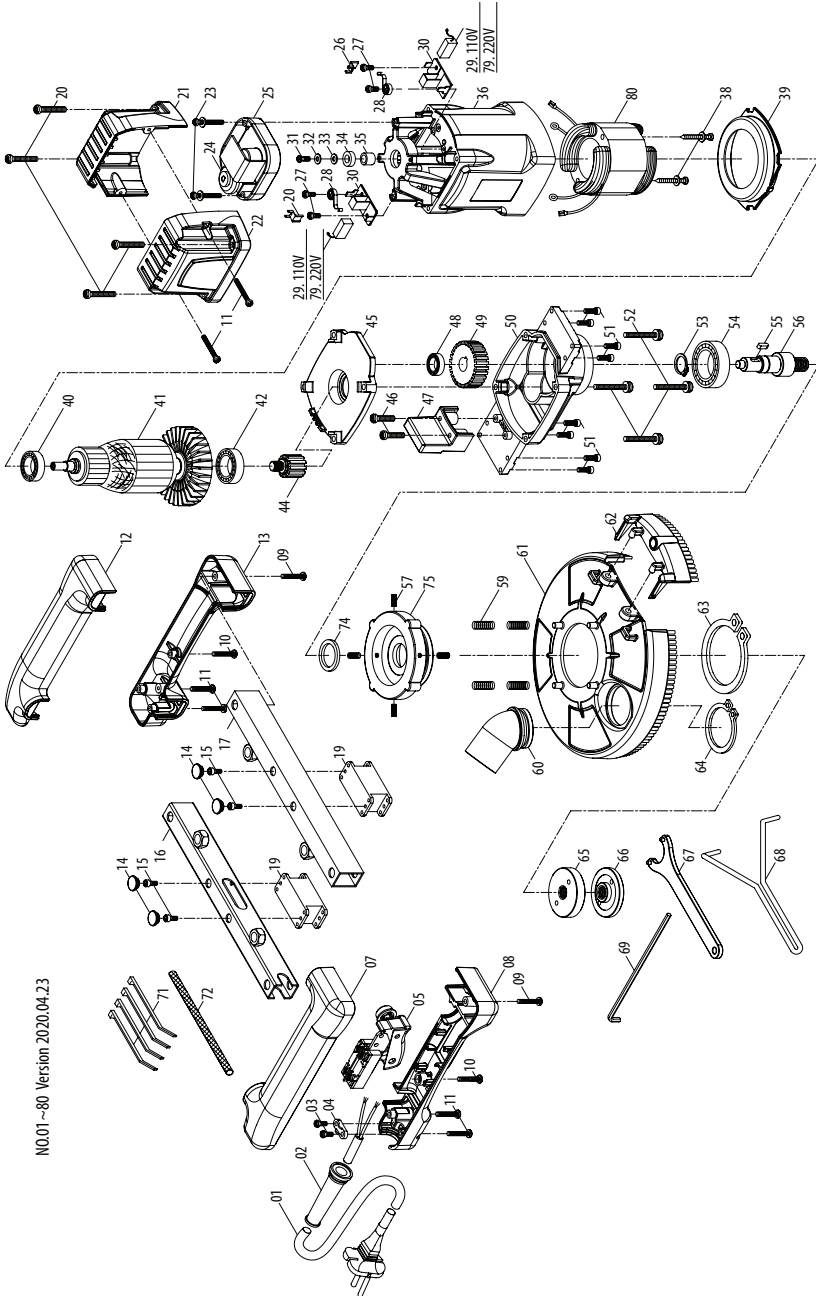


NO.01--95 Version 2020.05.21

PARTS LIST (G5)

NO.	Parts Name	QTY	NO.	Parts Name	QTY
1	POWER SUPPLY CABLE (UK-1.5x2Cx3M-H07RNF)	1	42	BALL BEARING (6202)	1
1	POWER SUPPLY CABLE (VDE-1.5x2Cx3M-H07RNF)	1	43	ARMATURE GEAR (M1.5x12T)	1
2	CORD ARMOR	1	44	GEAR PLATE	1
3	PANHEAD TAPPING SCREW (M4x14)	5	45	PANHEAD MACHINE SCREW (M4x25xP0.7)	2
4	CABLE CLIP	1	46	HANDLE BRACKET	1
5	TRIGGER SWITCH (LOCK-ON)	1	47	BALL BEARING (608)	1
6	N/A	-	48	OUTPUT GEAR (M1.5x28T)	1
7	HANDLE HALF-RIGHT	1	49	GEAR HOUSING	1
8	HANDLE HALF-RIGHT	1	50	SOCKET CAP SCREW (M4x12xP0.7)	8
9	PANHEAD TAPPING SCREW (M4x35)	2	51	PANHEAD TAPPING SCREW (M5x45)	4
10	PANHEAD TAPPING SCREW (M4x20)	2	52	EXTERNAL CIRCLIP (S-17)	1
11	PANHEAD TAPPING SCREW (M4x25)	6	53	BALL BEARING (6303)	1
12	HANDLE HALF-LEFT	1	54	PARALLEL KEY (5x5x12)	1
13	HANDLE HALF-LEFT	1	55	SPINDLE (M14xP2.0-88MM)	1
14	RUBBER PLUG	4	56~59	N/A	-
15	SOCKET CAP SCREW (M4x6xP0.7)	4	60	SOCKET CAP SCREW (M4x10xP0.7)	4
16	CROSS BAR LOWER	1	61~64	N/A	-
17	CROSS BAR UPPER	1	65	INNER FLANGE (Ø22.2)	1
18	N/A	-	66	OUTER FLANGE (M14)	1
19	ANTI-VIBRATION MOUNT	2	67	LOCK NUT WRENCH (30MM)	1
20	PANHEAD TAPPING SCREW (M5x35)	4	68	FACE SPANNER WRENCH (93MM)	1
21	MOTOR TAIL CASTING	1	69~70	N/A	-
22	MOTOR TAIL CASTING	1	71	ZIP TIE (2.5x100MM)	4
23	PANHEAD TAPPING SCREW (M4x30)	2	72	WIRE SLEEVE (Ø6x45CM)	1
24	THUMB WHEEL	1	73	HEX KEY (M6)	1
25	ELECTRONICS UNIT (220V)	1	74~79	N/A	-
26	THREE WIRE PUSH IN CONNECTOR	2	80	HALF-MOON DOOR	1
27	PANHEAD TAPPING SCREW (M4x10)	4	81	CLEANING BRUSH	1
28	BRUSH SPRING (0.35x4x4T)	2	82	N/A	-
29	CARBON BRUSH (7x17x17)	2	83	PANHEAD TAPPING SCREW (M4x10)	6
30	CARBON BRUSH HOLDER (7x17)	2	84	DUST SKIRT	1
31	PANHEAD MACHINE SCREW (M4x10xP0.7)	1	85	CLEANING BRUSH	1
32	FLAT WASHER (Ø4xØ10x1)	1	86	SHOULDER BOLT (M4xP0.7x26L)	4
33	RUBBER WASHER (Ø4xØ11x1)	1	87	FLAT HEAD TAPPING SCREW (M4x10)	3
34	PICKUP MAGNET (Ø8xØ15x5)	1	88	N/A	-
35	SPACER (Ø8xØ12x10.5)	1	89	SPRING (Ø0.55xØ4.9xØ6x15Lx6T)	4
36	MOTOR HOUSING	1	90	OIL SEAL (Ø24xØ32x4)	1
37	N/A	-	91	BEARING PLATE	1
38	PANHEAD TAPPING SCREW (M5x60)	2	92	CARBON BRUSH (7x17x20)	2
39	FAN BAFFLE	1	93	N/A	-
40	BALL BEARING (6200)	1	94	COVER PANEL (BLACK)	1
41	ARMATURE(110V/220V-94x54x45)	1	95	STATOR (110V/220V-94x54x45)	1

EXPLODED VIEW (SM7)



N0.01--80 Version 2020.04.23

PARTS LIST (SM7)

NO.	Parts Name	QTY	NO.	Parts Name	QTY
1	POWER SUPPLY CABLE (VDE-1.5x2Cx3M-H07RNF)	1	40	BALL BEARING (6200)	1
2	CORD ARMOR	1	41	ARMATURE(110V/220V-94x54x45)	1
3	PANHEAD TAPPING SCREW (M4x14)	2	42	BALL BEARING (6202)	1
4	CABLE CLIP	1	43	N/A	-
5	TRIGGER SWITCH (LOCK-ON)	1	44	ARMATURE GEAR (M1.5x9T)	1
6	N/A	-	45	GEAR PLATE	1
7	HANDLE HALF-RIGHT	1	46	PANHEAD MACHINE SCREW (M4x25xP0.7)	2
8	HANDLE HALF-RIGHT	1	47	HANDLE BRACKET	1
9	PANHEAD TAPPING SCREW (M4x35)	2	48	BALL BEARING (608)	1
10	PANHEAD TAPPING SCREW (M4x20)	2	49	OUTPUT GEAR (M1.5x29T)	1
11	PANHEAD TAPPING SCREW (M4x25)	6	50	GEAR HOUSING	1
12	HANDLE HALF-LEFT	1	51	SOCKET CAP SCREW (M4x12xP0.7)	8
13	HANDLE HALF-LEFT	1	52	PANHEAD TAPPING SCREW (M5x45)	4
14	RUBBER PLUG	4	53	EXTERNAL CIRCLIP (S-17)	1
15	SOCKET CAP SCREW (M4x6xP0.7)	4	54	BALL BEARING (6303)	1
16	CROSS BAR LOWER	1	55	PARALLEL KEY (5x5x12)	1
17	CROSS BAR UPPER	1	56	SPINDLE (M14xP2.0-83.5mm)	1
18	N/A	-	57	SOCKET SET SCREW (M5x12xP0.8)	4
19	ANTI-VIBRATION MOUNT	2	58	N/A	-
20	PANHEAD TAPPING SCREW (M5x35)	4	59	SPRING (Ø0.8xØ6.1xØ7.7x81x20L)	4
21	MOTOR TAIL CASTING	1	60	DUST ATTACHMENT	1
22	MOTOR TAIL CASTING	1	61	SANDING PLATE COVER	1
23	PANHEAD TAPPING SCREW (M4x30)	2	62	HALF-MOON DOOR	1
24	THUMB WHEEL	1	63	EXTERNAL CIRCLIP (S-65)	1
25	ELECTRONICS UNIT (220V)	1	64	EXTERNAL CIRCLIP (S-40)	1
26	THREE WIRE PUSH IN CONNECTOR	2	65	INNER FLANGE (M14)	1
27	PANHEAD TAPPING SCREW (M4x10)	4	66	OUTER FLANGE (M14 / 22.2MM)	1
28	BRUSH SPRING (0.35x4x4T)	2	67	LOCK NUT WRENCH (30MM)	1
29	CARBON BRUSH (7x17x17)	2	68	FACE SPANNER WRENCH (93MM)	1
30	CARBON BRUSH HOLDER (7x17)	2	69	HEX KEY (M6)	1
31	PANHEAD MACHINE SCREW (M4x10xP0.7)	1	70	N/A	-
32	FLAT WASHER (Ø4xØ10x1)	1	71	ZIP TIE (2.5x100MM)	4
33	RUBBER WASHER (Ø4xØ11x1)	1	72	WIRE SLEEVE (Ø6x45CM)	1
34	PICKUP MAGNET (Ø8xØ15x5)	1	73	N/A	-
35	SPACER (Ø8xØ12x10.5)	1	74	OIL SEAL (Ø24xØ32x4)	1
36	MOTOR HOUSING	1	75	WATER FEED COLLAR	1
37	N/A	-	76	CARBON BRUSH (7x17x20)	2
38	PANHEAD TAPPING SCREW (M5x60)	2	77~79	N/A	-
39	FAN BAFFLE	1	80	STATOR (110V/220V-94x54x45)	1

Noise/vibration information

Measured in accordance with EN 60745-2-3

Model no. : G5, SM7

Noise level: Sound pressure level(L_{pA}): 90.0 dB(A) Sound power level(L_{WA}): 101.0 dB(A) $K= 3.0$ dB

Vibration level: $a_h=7.5$ m/s² $K=1.5$ m/s²

The vibration emission level has been measured in accordance with a standardised test given in EN 60745; it may be used to compare one tool with another and as a preliminary assessment of exposure to vibration when using the tool for the applications mentioned

- using the tool for different applications, or with different or poorly maintained accessories, may significantly increase the exposure level

- the times when the tool is switched off or when it is running but not actually doing the job, may significantly reduce the exposure level

protect yourself against the effects of vibration by maintaining the tool and its accessories, keeping your hands warm, and organizing your work patterns

CE Declaration of Conformity

•We declare under our sole responsibility that this product is in conformity with the following standards or standardized documents: EN 60745-1: 2009 + A11: 2010; EN 60745-2-3: 2011 + A2: 2013 + A11: 2014 + A12: 2014 + A13: 2015, EN 61000, EN 55014 in accordance with the regulations 2014/30/EU, 2006/42/EC, 2011/65/EU

•Technical file at: LEE YEONG INDUSTRIAL CO., LTD., NO.2, KEJIA RD., DOULIU CITY, YUNLIN COUNTY 64057, TAIWAN

You-Chun, Liu
Operation & Engineering

You chun Liu

Chih-Hao, Lai
Approval Manager

chih hao lai

LEE YEONG INDUSTRIAL CO., LTD.,
NO.2, KEJIA RD., DOULIU CITY, YUNLIN COUNTY 64057, TAIWAN 07.04.2014

LEE YEONG INDUSTRIAL CO., LTD.

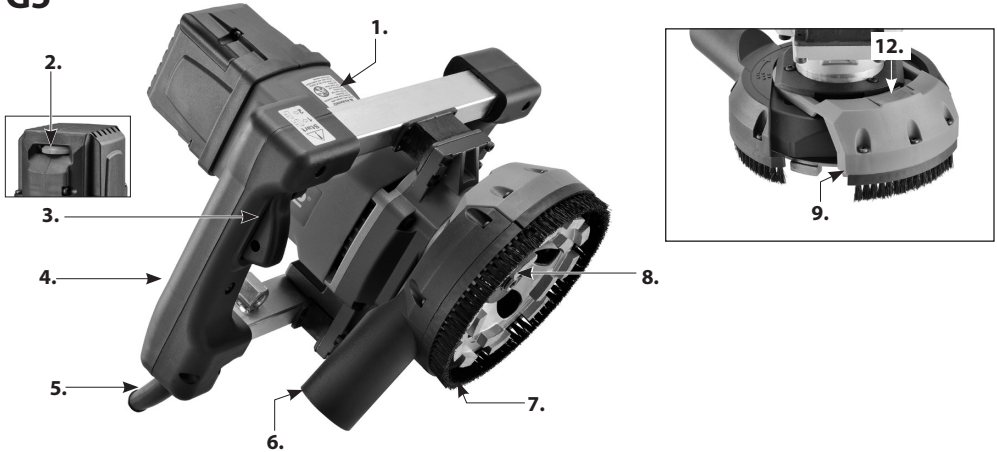
NO.2, KEJIA RD., DOULIU CITY,
YUNLIN COUNTY 64057, TAIWAN

TEL: 886-5-5518689 (REP)

Fax: 886-5-5518635

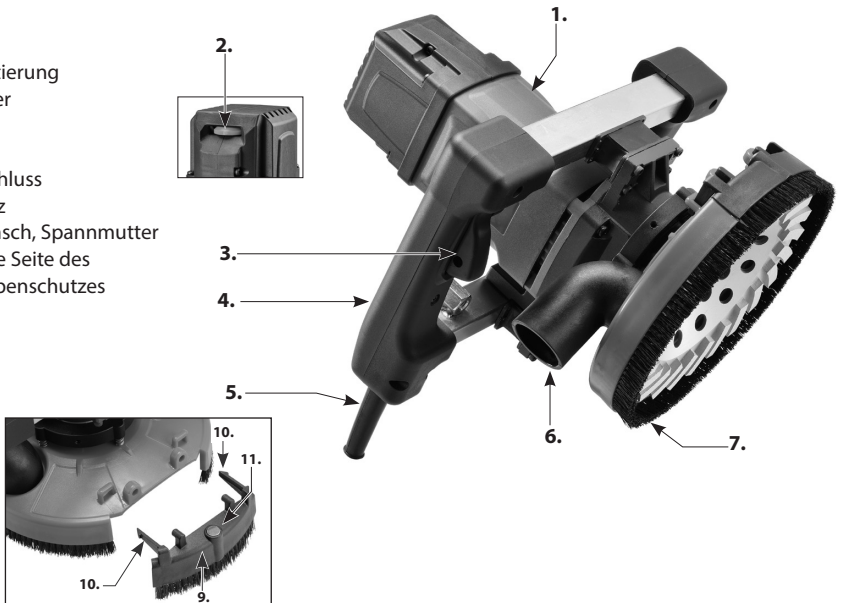
Modell	G5	SM7
Leistungsaufnahme	110-120 V:1700 W, 220-240 V:2200 W	
Spannung	110-120 V~ 50-60 Hz , 220-240 V~ 50-60 Hz (Siehe Typenschild)	
Leerlaufdrehzahlen/min-1	4500 ~ 9500	3200 - 6500
Schleiftellerdurchmesser	125 mm (5")	180 mm (7")
Werkzeugaufnahme	M14	M14
Spindel	22.23 mm (7/8")	22.23 mm (7/8")
Abmessungen	246 mm x 280 mm x 325 mm	
Gewicht	5,75 kg (12.65 lbs)	5,74 kg (12.65 lbs)

G5



SM7

- 1. Motor
- 2. Drehzahljustierung
- 3. Druckschalter
- 4. Griff
- 5. Netzkabel
- 6. Absauganschluss
- 7. Bürstenkranz
- 8. Äußerer Flansch, Spannmutter
- 9. Abnehmbare Seite des Schleifscheibenschutzes
- 10.Clips
- 11.Magnet
- 12.Lasche



Allgemeine Sicherheitshinweise



ACHTUNG! Lesen Sie sämtliche Sicherheitshinweise und Anweisungen. Fehler bei der Einhaltung der Warnhinweise und Anweisungen können elektrischen Schlag, Brand und/oder schwere Verletzungen verursachen.

Bewahren Sie alle Sicherheitshinweise und Anweisungen für die Zukunft auf.

Der in den Sicherheitshinweisen verwendete Begriff „Elektrowerkzeug“ bezieht sich auf netzbetriebene Elektrowerkzeuge (mit Netzkabel) und auf akkubetriebene Elektrowerkzeuge (ohne Netzkabel).

1. ARBEITSPLATZSICHERHEIT

- a. **Halten Sie Ihren Arbeitsbereich sauber und aufgeräumt.** Unordnung und unbeleuchtete Arbeitsbereiche können zu Unfällen führen.
- b. **Arbeiten Sie mit dem Gerät nicht in explosionsgefährdeter Umgebung, in der sich brennbare Flüssigkeiten, Gase oder Stäube befinden.** Elektrowerkzeuge erzeugen Funken, die den Staub oder die Dämpfe entzünden können.
- c. **Halten Sie Kinder und andere Personen während der Benutzung des Elektrowerkzeugs fern.** Bei Ablenkung können Sie die Kontrolle über das Gerät verlieren.
- d. **Lassen Sie das Elektrowerkzeug nicht unbeaufsichtigt laufen.** Verlassen Sie das Elektrowerkzeug erst, wenn das Einsatzwerkzeug komplett zum Stillstand gekommen ist.

2. ELEKTRISCHE SICHERHEIT

- a. **Der Anschlussstecker des Gerätes muss in die Steckdose passen. Der Stecker darf in keiner Weise verändert werden. Verwenden Sie keine Adapterstecker gemeinsam mit geschützten Geräten.** Unveränderte Stecker und passende Steckdosen verringern das Risiko eines elektrischen Schlages.
- b. **Vermeiden Sie Körperkontakt mit geerdeten Oberflächen, wie von Rohren, Heizungen, Herden und Kühlschränken.** Es besteht ein erhöhtes Risiko durch elektrischen Schlag, wenn Ihr Körper geerdet ist.
- c. **Halten Sie das Gerät von Regen oder Nässe fern.** Das Eindringen von Wasser in ein Elektrogerät erhöht das Risiko eines elektrischen Schlages.
- d. **Zweckentfremden Sie das Kabel nicht, um das Gerät zu tragen, aufzuhängen oder um den Stecker aus der Steckdose zu ziehen. Halten Sie das Kabel fern von Hitze, Öl, scharfen Kanten oder sich bewegenden Geräteteilen.** Beschädigte oder verwickelte Kabel erhöhen das Risiko eines elektrischen Schlages.
- e. **Wenn Sie mit einem Elektrowerkzeug im Freien arbeiten, verwenden Sie nur Verlängerungskabel, die auch für den Außenbereich zugelassen sind.** Die Anwendung eines für den Außenbereich geeigneten Verlängerungskabels verringert das Risiko eines elektrischen Schlages.
- f. **Wenn der Betrieb des Elektrowerkzeuges in feuchter Umgebung nicht vermeidbar ist, verwenden**

Sie einen Fehlerstromschutzschalter. Der Einsatz eines Fehlerstromschutzschalters vermindert das Risiko eines elektrischen Schlages.

3. SICHERHEIT VON PERSONEN

- a. **Seien Sie aufmerksam, achten Sie darauf, was Sie tun, und gehen Sie mit Vernunft an die Arbeit mit einem Elektrowerkzeug. Benutzen Sie das Gerät nicht, wenn Sie müde sind oder unter dem Einfluss von Drogen, Alkohol oder Medikamenten stehen.** Ein Moment der Unachtsamkeit beim Gebrauch des Gerätes kann zu ernsthaften Verletzungen führen.
- b. **Tragen Sie persönliche Schutzausrüstung und immer eine Schutzbrille.** Das Tragen persönlicher Schutzausrüstung, wie Staubmaske, rutschfeste Sicherheitsschuhe, Schutzhelm oder Gehörschutz, je nach Art und Einsatz des Elektrowerkzeuges, verringert das Risiko von Verletzungen.
- c. **Vermeiden Sie eine unbeabsichtigte Inbetriebnahme. Vergewissern Sie sich, dass der Schalter in der Position "AUS" ist, bevor Sie den Stecker in die Steckdose stecken.** Wenn Sie beim Tragen des Geräts den Finger am Schalter haben oder das Gerät eingeschaltet an die Stromversorgung anschließen, kann dies zu Unfällen führen.
- d. **Entfernen Sie Einstellwerkzeuge oder Schraubenschlüssel, bevor Sie das Gerät einschalten.** Ein Werkzeug oder Schlüssel, der sich in einem drehenden Geräteteil befindet, kann zu Verletzungen führen.
- e. **Überschätzen Sie sich nicht. Sorgen Sie für einen sicheren Stand und halten Sie jederzeit das Gleichgewicht.** Dadurch können Sie das Gerät in unerwarteten Situationen besser kontrollieren.
- f. **Tragen Sie geeignete Kleidung. Tragen Sie keine weite Kleidung oder Schmuck. Halten Sie Haare und Kleidung fern von sich bewegenden Teilen.** Lockere Kleidung, Schmuck oder lange Haare können von sich bewegenden Teilen erfasst werden.
- g. **Wenn Staubabsaug- und -auffangeinrichtungen montiert werden können, vergewissern Sie sich, dass diese angeschlossen sind und richtig verwendet werden.** Das Verwenden dieser Einrichtungen verringert Gefährdungen durch Staub.
- h. **Lassen Sie nicht zu, dass Sie durch Gewohnheit, die durch häufigen Gebrauch der Geräte erlangt wurde, selbstzufrieden werden und die grundlegenden Sicherheitsprinzipien des Geräts mißachten.** Eine unvorsichtige Tätigkeit kann schwere Verletzung innerhalb Sekundenbruchteilen verursachen.

4. SORGFÄLTIGER UMGANG UND GEBRAUCH VON ELEKTROWERKZEUGEN

- a. **Überlasten Sie das Gerät nicht. Verwenden Sie für Ihre Arbeit das dafür bestimmte Elektrowerkzeug.** Mit dem passenden Elektrowerkzeug arbeiten Sie besser und sicherer im angegebenen Leistungsbereich.
- b. **Benutzen Sie kein Elektrowerkzeug, dessen Schalter defekt ist.** Ein Elektrowerkzeug, das sich nicht mehr ein- oder ausschalten lässt, ist gefährlich und muss repariert werden.
- c. **Ziehen Sie den Stecker aus der Steckdose, bevor Sie Geräteeinstellungen vornehmen, Zubehörteile wechseln oder das Gerät weglegen.** Diese Vorsichtsmaßnahme verhindert den unbeabsichtigten Start des Geräts.
- d. **Bewahren Sie unbenutzte Elektrowerkzeuge außerhalb der Reichweite von Kindern auf. Lassen Sie**



Personen das Gerät nicht benutzen, die mit diesem nicht vertraut sind oder diese Anweisungen nicht gelesen haben. Elektrowerkzeuge sind gefährlich, wenn Sie von unerfahrenen Personen benutzt werden.







- e. Pflegen Sie das Gerät mit Sorgfalt. Kontrollieren Sie, ob bewegliche Geräteteile einwandfrei funktionieren und nicht klemmen, ob Teile gebrochen oder so beschädigt sind, dass die Funktion des Gerätes beeinträchtigt ist. Lassen Sie beschädigte Teile vor dem Einsatz des Geräts reparieren.** Viele Unfälle haben ihre Ursache in schlecht gewarteten Elektrowerkzeugen.
- f. Halten Sie Schneidwerkzeuge scharf und sauber.** Sorgfältig gepflegte Schneidwerkzeuge mit scharfen Schneidkanten verklemmen sich weniger und sind leichter zu führen.
- g. Verwenden Sie Elektrowerkzeug, Zubehör, Einsatzwerkzeuge usw. entsprechend diesen Anweisungen und so, wie es für diesen speziellen Gerätetyp vorgeschrieben ist. Berücksichtigen Sie dabei die Arbeitsbedingungen und die auszuführende Tätigkeit.** Der Gebrauch von Elektrowerkzeugen für andere als die vorgesehenen Anwendungen kann zu gefährlichen Situationen führen.
- h. Halten Sie Handgriffe trocken, sauber und frei von Öl und Fett.** Rutschige Handgriffe erlauben keine sichere Handhabung und Kontrolle des Elektrowerkzeuges in unerwarteter Situation.

5. SERVICE

- a. Lassen Sie Ihr Gerät nur von qualifiziertem Fachpersonal und nur mit Original-Ersatzteilen reparieren.** Damit wird sichergestellt, dass die Sicherheit des Geräts erhalten bleibt.
- b. Verwenden Sie für Reparatur und Wartung nur originale Teile.** Die Verwendung von nicht dafür vorgesehenem Zubehör oder Ersatzteilen kann zu elektrischem Schlag oder zu Verletzungen führen

In dieser Betriebsanleitung verwendete Symbole

V.....Volt
A.....Ampere
Hz.....Hertz
W.....Watt
~.....Wechselstrom
n.....Nennzahl
min⁻¹.....Umdrehungen oder
Zykluszahl pro Minute
Warnung vor allgemeiner Gefahr
Schutzklasse II

Diese Betriebsanleitung lesen
Stets Augenschutz tragen
Stets eine Atemschutzmaske tragen
 Stets Gehörschutz tragen
 Schutzhelm tragen
 Elektrowerkzeuge, Zubehör und Verpackung dürfen nicht mit dem Hausmüll entsorgt werden.

Sicherheitshinweise für Betonschleifer

Gemeinsame Sicherheitshinweise zum Schleifen

- **Dieses Elektrowerkzeug ist zu verwenden als Schleifer. Beachten Sie alle Sicherheitshinweise, Anweisungen, Darstellungen und Daten, die Sie mit dem Elektrowerkzeug erhalten.** Wenn Sie die folgenden Anweisungen nicht beachten, kann es zu elektrischem Schlag, Feuer und/oder schweren Verletzungen kommen.
- **Dieses Elektrowerkzeug ist nicht geeignet zum Sandpapierschleifen, Arbeiten mit Drahtbürsten, Polieren und Trennschleifen.** Verwendungen, für die das Elektrowerkzeug nicht vorgesehen ist, können Gefährdungen und Verletzungen verursachen.
- **Verwenden Sie kein Zubehör, das vom Hersteller nicht speziell für dieses Elektrowerkzeug vorgesehen und empfohlen wurde.** Nur weil Sie das Zubehör an Ihrem Elektrowerkzeug befestigen können, garantiert das keine sichere Verwendung.
- **Die zulässige Drehzahl des Einsatzwerkzeugs muss mindestens so hoch sein wie die auf dem Elektrowerkzeug angegebene Höchstdrehzahl.** Zubehör, das sich schneller als zulässig dreht, kann zerbrechen und umherfliegen.
- **Außendurchmesser und Dicke des Einsatzwerkzeugs müssen den Maßangaben Ihres Elektrowerkzeugs entsprechen.** Falsch bemessene Einsatzwerkzeuge können nicht ausreichend abgeschirmt oder kontrolliert werden.
- **Einsatzwerkzeuge mit Gewindeeinsatz müssen genau auf das Gewinde der Schleifspindel passen. Bei Einsatzwerkzeugen, die mittels Flansch montiert werden, muss der Lochdurchmesser des Einsatzwerkzeugs zum Aufnahmedurchmesser des Flansches passen.** Einsatzwerkzeuge, die nicht genau am Elektrowerkzeug befestigt werden, drehen sich ungleichmäßig, vibrieren sehr stark und können zum Verlust der Kontrolle führen.
- **Verwenden Sie keine beschädigten Einsatzwerkzeuge. Kontrollieren Sie vor jeder Verwendung Einsatzwerkzeuge wie Schleifscheiben auf Absplitterungen und Risse, Schleifteller auf Risse, Verschleiß oder starke Abnutzung, Drahtbürsten auf lose oder gebrochene Drähte. Wenn das Elektrowerkzeug oder das Einsatzwerkzeug herunterfällt, überprüfen Sie, ob es beschädigt ist, oder verwenden Sie ein unbeschädigtes Einsatzwerkzeug. Wenn Sie das Einsatzwerkzeug kontrolliert und eingesetzt haben, halten Sie und in der Nähe befindliche Personen sich außerhalb der Ebene des rotierenden Einsatzwerkzeugs auf und lassen Sie das Elektrowerkzeug eine Minute lang mit Höchstdrehzahl laufen.** Beschädigte Einsatzwerkzeuge brechen meist in dieser Testzeit.
- **Tragen Sie persönliche Schutzausrüstung. Verwenden Sie je nach Anwendung Vollgesichtsschutz, Augenschutz oder Schutzbrille. Soweit angemessen, tragen Sie Staubmaske, Gehörschutz, Schutzhandschuhe oder Spezialschürze, die kleine Schleif- und Materialpartikel von Ihnen fernhält.** Die Augen sollen vor herumfliegenden Fremdkörpern geschützt werden, die bei verschiedenen Anwendungen entstehen. Staub- oder Atemschutzmaske müssen den bei der Anwendung entstehenden Staub filtern. Wenn Sie lange lautem Lärm ausgesetzt sind, können Sie einen Hörverlust erleiden.
- **Achten Sie bei anderen Personen auf sicheren Abstand zu Ihrem Arbeitsbereich. Jeder, der den Arbeitsbereich betritt, muss persönliche Schutzausrüstung tragen.** Bruchstücke des Werkstücks oder gebrochener Einsatzwerkzeuge können wegfliegen und Verletzungen auch außerhalb des direkten Arbeitsbereichs verursachen.
- **Halten Sie das Gerät nur an den isolierten Griffflächen, wenn Sie Arbeiten ausführen, bei denen das Einsatzwerkzeug verborgene Stromleitungen oder das eigene Netzkabel treffen kann.** Der Kontakt mit einer spannungsführenden Leitung kann auch metallene Geräteteile unter Spannung setzen und zu

einem elektrischen Schlag führen.

- **Halten Sie das Netzkabel von sich drehenden Einsatzwerkzeugen fern.** Wenn Sie die Kontrolle über das Gerät verlieren, kann das Netzkabel durchtrennt oder erfasst werden und Ihre Hand oder Ihr Arm in das sich drehende Einsatzwerkzeug geraten.
- **Legen Sie das Elektrowerkzeug niemals ab, bevor das Einsatzwerkzeug völlig zum Stillstand gekommen ist.** Das sich drehende Einsatzwerkzeug kann in Kontakt mit der Ablagefläche geraten, wodurch Sie die Kontrolle über das Elektrowerkzeug verlieren können.
- **Lassen Sie das Elektrowerkzeug nicht laufen, während Sie es tragen.** Ihre Kleidung kann durch zufälligen Kontakt mit dem sich drehenden Einsatzwerkzeug erfasst werden und das Einsatzwerkzeug sich in Ihren Körper bohren.
- **Reinigen Sie regelmäßig die Lüftungsschlitze Ihres Elektrowerkzeugs.** Das Motorgebläse zieht Staub in das Gehäuse, und eine starke Ansammlung von Metallstaub kann elektrische Gefahren verursachen.
- **Verwenden Sie das Elektrowerkzeug nicht in der Nähe brennbarer Materialien.** Funken können diese Materialien entzünden.
- **Verwenden Sie keine Einsatzwerkzeuge, die flüssige Kühlmittel erfordern.** Die Verwendung von Wasser oder anderen flüssigen Kühlmitteln kann zu einem elektrischen Schlag führen. Rückschlag und entsprechende Sicherheitshinweise .
- Rückschlag ist die plötzliche Reaktion infolge eines hakenden oder blockierten drehenden Einsatzwerkzeugs, wie Schleifscheibe, Schleifteller, Drahtbürste usw. Verhaken oder Blockieren führt zu einem abrupten Stopp des rotierenden Einsatzwerkzeugs. Dadurch wird ein unkontrolliertes Elektrowerkzeug gegen die Drehrichtung des Einsatzwerkzeugs an der Blockierstelle beschleunigt. Wenn z. B. eine Schleifscheibe im Werkstück hakt oder blockiert, kann sich die Kante der Schleifscheibe, die in das Werkstück eintaucht, verfangen und dadurch die Schleifscheibe ausbrechen oder einen Rückschlag verursachen. Die Schleifscheibe bewegt sich dann auf die Bedienperson zu oder von ihr weg, je nach Drehrichtung der Scheibe an der Blockierstelle. Hierbei können Schleifscheiben auch brechen. Ein Rückschlag ist die Folge eines falschen oder fehlerhaften Gebrauchs des Elektrowerkzeugs. Er kann durch geeignete Vorsichtsmaßnahmen, wie nachfolgend beschrieben, verhindert werden.
- **Halten Sie das Elektrowerkzeug gut fest und bringen Sie Ihren Körper und Ihre Arme in eine Position, in der Sie die Rückschlagkräfte abfangen können. Verwenden Sie immer den Zusatzgriff, falls vorhanden, um die größtmögliche Kontrolle über Rückschlagkräfte oder Reaktionsmomente beim Hochlauf zu haben.** Die Bedienperson kann durch geeignete Vorsichtsmaßnahmen die Rückschlag- und Reaktionskräfte beherrschen.
- **Bringen Sie Ihre Hand nie in die Nähe sich drehender Einsatzwerkzeuge.** Das Einsatzwerkzeug kann sich beim Rückschlag über Ihre Hand bewegen.
- **Meiden Sie mit Ihrem Körper den Bereich, in den das Elektrowerkzeug bei einem Rückschlag bewegt wird.** Der Rückschlag treibt das Elektrowerkzeug in die Richtung entgegengesetzt zur Bewegung der Schleifscheibe an der Blockierstelle.
- **Arbeiten Sie besonders vorsichtig im Bereich von Ecken, scharfen Kanten usw. Verhindern Sie, dass Einsatzwerkzeuge vom Werkstück zurückprallen und verklemmen.** Das rotierende Einsatzwerkzeug neigt bei Ecken, scharfen Kanten oder wenn es abprallt, dazu, sich zu verklemmen. Dies verursacht einen Kontrollverlust oder Rückschlag.
- **Verwenden Sie kein Ketten- oder gezähntes Sägeblatt.** Solche Einsatzwerkzeuge verursachen häufig einen Rückschlag oder den Verlust der Kontrolle über das Elektrowerkzeug.

Besondere Sicherheitshinweise zum Schleifen

- **Verwenden Sie ausschließlich die für Ihr Elektrowerkzeug zugelassenen Schleifkörper und die für diese Schleifkörper vorgesehene Schutzhaube.** Schleifkörper, die nicht für das Elektrowerkzeug vorgesehen sind, können nicht ausreichend abgeschirmt werden und sind unsicher.
- **Gekröpfte Schleifscheiben müssen so montiert werden, dass ihre Schleiffläche nicht über der Ebene des Schutzhaubenrandes hervorsteht.** Eine unsachgemäß montierte Schleifscheibe, die über die Ebene des Schutzhaubenrandes hinausragt, kann nicht ausreichend abgeschirmt werden.
- **Die Schutzhaube muss sicher am Elektrowerkzeug angebracht und für ein Höchstmaß an Sicherheit so eingestellt sein, dass der kleinstmögliche Teil des Schleifkörpers offen zur Bedienperson zeigt.** Die Schutzhaube hilft, die Bedienperson vor Bruchstücken, zufälligem Kontakt mit dem Schleifkörper sowie Funken, die Kleidung entzünden können, zu schützen.
- **Schleifkörper dürfen nur für die empfohlenen Einsatzmöglichkeiten verwendet werden. Z. B.: Schleifen Sie nie mit der Seitenfläche einer Trennscheibe.** Trennscheiben sind zum Materialabtrag mit der Kante der Scheibe bestimmt. Seitliche Krafteinwirkung auf diese Schleifkörper kann sie zerbrechen.
- **Verwenden Sie immer unbeschädigte Spannflansche in der richtigen Größe und Form für die von Ihnen gewählte Schleifscheibe.** Geeignete Flansche stützen die Schleifscheibe und verringern so die Gefahr eines Schleifscheibenbruchs. Flansche für Trennscheiben können sich von den Flanschen für andere Schleifscheiben unterscheiden.
- **Verwenden Sie keine abgenutzten Schleifscheiben von größeren Elektrowerkzeugen.** Schleifscheiben für größere Elektrowerkzeuge sind nicht für die höheren Drehzahlen von kleineren Elektrowerkzeugen ausgelegt und können brechen.

ELEKTROANSCHLUSS

Die Netzspannung muss mit der Spannungsangabe auf dem Typenschild des Werkzeugs übereinstimmen. Das Werkzeug darf unter keinen Umständen verwendet werden, wenn das Netzkabel beschädigt ist. Ein beschädigtes Kabel muss sofort durch ein autorisiertes Service Center ersetzt werden. Versuchen Sie nicht, das beschädigte Kabel selbst zu reparieren. Die Verwendung von beschädigten Kabeln kann zu einem elektrischen Schlag führen.

WARNUNG: Betreiben Sie niemals eine beschädigte Maschine. Markieren Sie stets eine beschädigte Maschine und nehmen Sie sie außer Betrieb, bis die Reparatur durchgeführt worden ist.

SICHERHEITSSYMBOLLE

ACHTUNG: Weist auf eine möglicherweise gefährliche Situation hin, die zu leichten oder mittelschweren Verletzungen führen kann, wenn sie nicht vermieden wird. Es kann auch dazu benutzt werden, auf unsichere Praktiken hinzuweisen, die Sachschäden verursachen können.

GEFAHR: Weist auf eine unmittelbar gefährliche Situation hin, die zum Tod oder zu schwerer Verletzung führt, wenn sie nicht vermieden wird.

WARNUNG: Weist auf eine potentiell gefährliche Situation hin, die zum Tod oder zu schwerer Verletzung führt, wenn sie nicht vermieden wird.

VOR DER VERWENDUNG DIESES WERKZEUGS

WARNUNG: Staub, der durch maschinelles Schleifen, Sägen, Fräsen, Bohren und andere Bauarbeiten freigesetzt wird, enthält Chemikalien, die dafür bekannt sind, Krebs, Geburtsfehler oder andere Fortpflanzungsschäden auszulösen. Einige Beispiele für diese Chemikalien sind:

- Blei aus bleihaltigen Farben
- Kristalline Kieselsäure aus Ziegeln, Zement und anderen Mauerwerkmaterialien
- Arsen und Chrom aus chemisch
- behandeltem Holz.

Ihr persönliches Risiko durch diese Exposition variiert, je nachdem, wie oft Sie diese Art von Arbeiten durchführen. Um Ihre Exposition gegenüber diesen Chemikalien zu verringern, arbeiten Sie in einem gut belüfteten Bereich sowie mit zugelassenen Sicherheitsvorrichtungen wie z. B. spezielle Staubmasken, die mikroskopisch kleine Partikel herausfiltern.

WARNUNG: Um das Risiko von Fehlern, die schwere Verletzungen oder dauerhafte Invalidität verursachen können, verbinden Sie die Maschine nicht mit der Stromversorgung, bevor Sie nicht die folgenden Schritte ausgeführt haben.

- Machen Sie sich mit der Verwendung und Funktion des Ein/Aus-Schalters vertraut.
- Lesen Sie sorgfältig alle Sicherheits-
- hinweise und Bedienungsabläufe in dieser Betriebsanleitung durch, bis Sie sie verstanden haben.
- Machen Sie sich mit den Wartungsmethoden für dieses Werkzeug vertraut.

VERRINGERUNG DES RISIKOS EINER GEFÄHRLICHEN UMGEBUNG

- Verwenden Sie die Maschine an einem trockenen Ort, der vor Regen geschützt ist, oder in einem Innenraum.
- Positionieren Sie die Maschine so, dass weder der Bediener noch andere Personen sich im Arbeitsbereich der Maschine befinden. Herumfliegende Bruchstücke können Menschen verletzen.

INSPEKTION DER MASCHINE VOR JEDEM GEBRAUCH

- Trennen Sie die Elektroschleifmaschine vom Stromnetz, um die Gefahr von Verletzungen durch versehentliches Starten zu reduzieren, bevor Sie Einstellungen vornehmen.
- Überprüfen Sie die korrekte Ausrichtung beweglicher Teile.
- Prüfen Sie elektrische Kabel auf Beschädigungen.
- Überprüfen Sie, dass keine beweglichen Teile verklemmt sind.
- Prüfen Sie die Maschine auf defekte Teile.
- Stellen Sie sicher, dass das Werkstück stabil ist.
- Überprüfen Sie andere Faktoren, die Einfluss auf die Funktion der Maschine haben können.

Achten Sie auf die sorgfältige Wartung von Werkzeugen. Halten Sie die Maschine sauber für eine optimale und sichere Leistung. Befolgen Sie die Schmieranleitungen.

VERRINGERUNG VERLETZUNGSRISIKOS DURCH VERKLEMMEN, RUTSCHEN ODER HERUMFLIEGENDE BRUCHSTÜCKE

- Um die Gefahr von Verbrennungen oder anderen Brandschäden zu reduzieren, verwenden Sie die Maschine niemals in der Nähe von brennbaren Flüssigkeiten, Dämpfen oder Gasen.
- Stellen Sie sicher, dass alle Schellen fest angezogen sind und kein Teil übermäßiges Spiel hat.
- Halten Sie den Arbeitsbereich sauber. Unordentliche Arbeitsbereiche und Werkbänke führen zu Unfällen. Der Boden darf nicht rutschig sein.

Kennen Sie Ihre Maschine. Lesen Sie die Betriebsanleitung und Kennzeichnungen auf dem Werkzeug sorgfältig durch. Machen Sie sich mit den Anwendungen und Grenzen des Werkzeugs sowie den spezifischen Gefahren, die von diesem Werkzeug ausgehen, vertraut. Um das Risiko von Verletzungen durch versehentlichen Kontakt mit beweglichen Teilen zu reduzieren, führen Sie keine Einrichtungs-, Montage-, oder Einstellarbeiten an der Maschine durch, während Teile in Bewegung sind durch.

WENN DIE MASCHINE LÄUFT

WARNUNG: Lassen Sie es nicht zu, dass es durch Routine (aufgrund von

häufiger Verwendung des Elektrowerkzeugs) zu einem Fehler wegen Unachtsamkeit kommt. Ein Bruchteil einer Sekunde Unachtsamkeit genügt, um schwere Verletzungen zu verursachen.

Wenn die Maschine ungewöhnliche Geräusche macht oder vibriert, STOPPEN Sie sie Sofort. Schalten Sie das Werkzeug aus. Trennen Sie die Maschine vom Netz. Starten Sie sie nicht erneut, bis Sie den Fehler gefunden und behoben haben.

Stellen Sie sicher, dass alle Besucher, Umstehenden und Kinder sich weit von Werkzeug und Werkstück entfernt befinden.

VOR DEM LÖSEN VON VERKLEMMTEM MATERIAL

- Schalten Sie das Werkzeug durch Loslassen des Druckschalters aus.
- Warten Sie, bis alle beweglichen Teile zum Stillstand gekommen sind.
- Trennen Sie die Maschine vom Netz.

LASSEN SIE EIN LAUFENDES WERKZEUG NIE UNBEAUF SICHTIGT

- Schalten Sie die Stromversorgung aus.
- Warten Sie, bis alle beweglichen Teile zum Stillstand gekommen sind.
- Trennen Sie die Maschine vom Netz.

WARNUNG: Beim Betrieb von Elektrowerkzeugen können Fremdkörper in die Augen geschleudert werden, was zu schweren Augenschäden führen kann. Setzen Sie daher stets vor Beginn der Arbeiten mit dem Werkzeug eine Schutzbrille mit Seitenschutz sowie einen Gesichtsschutz, wenn erforderlich, auf. Wir empfehlen eine Vollsichtschutzbrille, die über Brillen getragen werden kann, oder eine Standard-Schutzbrille mit Seitenschutz.

KINDERSICHERE WERKSTATT

Verschließen Sie die Werkstatt.

Schalten Sie alle Hauptschalter aus.

Bewahren Sie das Werkzeug außerhalb der Reichweite von Kindern und anderen nicht zur Verwendung des Werkzeugs qualifizierten Personen auf.

Bringen Sie dieses Symbol für wichtige Sicherheitsmaßnahmen an. Es bedeutet: ACHTUNG!!! Es geht um Ihre Sicherheit.

SICHERHEITSHINWEISE FÜR MOTOR UND ELEKTRIK

WARNUNG: Um das Risiko von Gefahren durch elektrischen Strom, Brandgefahr oder Schäden am Werkzeug zu verringern, verwenden Sie einen ordnungsgemäßen Stromkreisschutz. Um das Risiko von Stromschlägen oder Bränden zu vermeiden, lassen Sie das Netzkabel sofort ersetzen, wenn es verschlissen, eingeschnitten oder auf andere Weise beschädigt ist.

WARNUNG: Berühren Sie, wenn Sie den Stecker in die Steckdose stecken oder aus der Steckdose ziehen, nicht die Kontakte mit den Fingern, um Verletzungen oder Tod durch Stromschlag zu vermeiden.

MOTORSCHUTZ

WICHTIG: Um Schäden am Motor zu vermeiden, sollte dieser Motor regelmäßig mit Druckluft durchgeblasen oder mit dem Staubsauger gereinigt werden, um Staubansammlungen zu entfernen, die die normale Motorbelüftung beeinträchtigen.

1. Schließen Sie dieses Werkzeug an eine Stromquelle mit der entsprechenden Spannung für Ihr Modell an.
2. Wenn der Motor nicht startet, schalten Sie das Werkzeug sofort wieder am Schalter aus und ziehen Sie den Netzstecker.
3. Wenn der Motor während des Schleifens plötzlich zum Stillstand kommt, lassen Sie den Druckschalter los und ziehen Sie den Netzstecker. Der Motor kann jetzt neu gestartet werden.
4. Aus folgenden Gründen können Sicherungen häufig „durchbrennen“ bzw. Leistungsschalter ausgelöst werden:
 - a. **Der Motor wird überlastet** - Eine Überlastung kann auftreten, wenn Sie zu viele Starts/Stops in kurzer Zeit machen.
 - b. Die Netzspannung sollte nicht mehr als 10 % über oder unter der auf dem Typenschild angegebenen Spannung liegen. Für schwere Belastung muss aber die Spannung, die an den Klemmen des Motors anliegt, exakt der für Ihr Modell angegebenen Spannung entsprechen. Es wird ein falscher oder stumpfer Schleifkopf verwendet.
5. Die meisten Motorprobleme treten aufgrund loser oder falscher Anschlüsse, Überlast, niedriger Spannung, (wie zu kleinen Kabelquerschnitten im Versorgungsstromkreis) oder einem überlangen Stromversorgungskabel auf. Wenn der Motor nicht richtig läuft, überprüfen Sie stets die Anschlüsse, die Last und den Versorgungsstromkreis. Überprüfen Sie Kabelquerschnitte und -längen mithilfe der Kabelauslegungstabelle.

AUSPACKEN

WARNUNG: Um die Gefahr von Verletzungen durch unerwartetes Starten oder aufgrund eines Stromschlages zu reduzieren, schließen Sie das Netzkabel während des Auspackens und der Montage nicht an eine Stromquelle an. Wenn Sie Arbeiten am Werkzeug durchführen, darf der Netzstecker nie in der Steckdose stecken.

Ihr Werkzeug wird komplett in einer Verpackung geliefert.

Nehmen Sie das das Werkzeug und alle losen Teile aus dem Karton. Legen Sie alle Teile auf eine sichere, feste Arbeitsfläche und inspizieren Sie die Maschine sorgfältig.

STÜCKLISTE

Inhalt:

Haupteinheit.....	1
Betriebsanleitung.....	1
Seitengriff	1
Spannmutterschlüssel	1
Stirnlochschlüssel.....	1
L-H L-Inbusschlüssel.....	1
Flansche.....	2

EMPFOHLENES ZUBEHÖR

Diese Maschine darf nur mit Diamanttopfscheiben mit einem Durchmesser von 125 mm für G5 und 180 mm für SM7 mit 22,23 mm (7/8") Spindelbohrung oder mit M14-Innengewinde verwendet werden. Alle anderen Verwendungen sind untersagt.

Gebundene Schleifkörper dürfen nicht mit dieser Maschine verwendet werden.

GRUNDLEGENDE BEDIENUNG

HINWEIS: Stellen Sie sicher, dass die Netzspannung mit der auf dem Typenschild der Maschine angegebenen übereinstimmt und dass der Schalter auf „AUS“ steht, bevor Sie die Maschine an die Stromversorgung anschließen.

DER SCHALTER

Die Maschine verfügt über einen feststellbaren Druckschalter. Drücken Sie den Druckschalter, um die Maschine zu starten.

Zum Feststellen des Schalters auf drücken Sie den Feststellknopf, während Sie den Druckschalter gedrückt halten.

Zum Lösen drücken Sie den Druckschalter wieder und lassen ihn los.

ACHTUNG: Nachdem die Maschine ausgeschaltet wurde, dreht sich die Spindel noch für einige Zeit. Achten Sie darauf, dass



die drehenden Teile nicht mit Ihrem Körper in Kontakt kommen und setzen Sie die Maschine nicht ab, während sie sich noch dreht!

DIE VERWENDUNG DES WERKZEUGS

Diese Maschine erfordert eine **Zweihandbedienung** für effektive Kontrolle, maximale Sicherheit und um dem Anlauf- und Betriebsdrehmoment widerstehen zu können. Richten Sie das Werkzeug richtig aus und halten Sie es **MIT BEIDEN HÄNDEN** fest, um zu verhindern, die Kontrolle zu verlieren, was Verletzungen verursachen könnte. Schützen Sie Ihre Augen mit einem Augenschutz oder einer Schutzbrille vor Verletzungen.

ÜBERLAST

Diese Maschine ist mit einem Überlastschutz ausgestattet, der den Motor abschaltet, wenn der maximal zulässige Strom überschritten wird. Wenn der Überlastschutz auslöst, nehmen Sie das Werkzeug von der Arbeitsoberfläche, lassen Sie den Druckschalter los und drücken Sie ihn dann erneut. Die Maschine wird neu gestartet.

ACHTUNG: Wenn die Maschine überlastet war, lassen Sie die Maschine immer im Leerlauf für einige Minuten laufen, bis sie wieder die normale Betriebstemperatur erreicht hat, bevor Sie mit der Arbeit fortfahren.

DREHZAHLSABILISIERUNG

Diese Maschine ist mit einer elektronischen Drehzahlstabilisierung ausgestattet, die eine konstante Drehzahl unter Last beibehält.

VARIABLE DREHZAHL

Die Motordrehzahl kann an verschiedene Arbeitssituationen angepasst werden. Drehen Sie das Daumenrad zur Drehzahljustierung im Uhrzeigersinn, um die Drehzahl zu erhöhen und entgegen dem Uhrzeigersinn, um sie zu verringern.

STAUBSAUGERANSCHLUSS

WARNUNG: Während der Arbeit entstehender Staub kann gesundheitsschädlich sein.

Diese Maschine ist speziell für das Trockenschleifen von Beton und ähnliche Materialien konzipiert. Sie verwendet Diamanttopfscheiben und muss mit einem geeigneten Staubsauger betrieben werden. Lassen Sie den Staub niemals direkt in die Atmosphäre ab.

Um den Absaugschlauch am Schlauchanschluss anzuschließen, halten Sie die Maschine mit einer Hand fest. Drücken Sie dann den Absaugschlauch mit einer Drehbewegung auf den Schlauchanschluss.

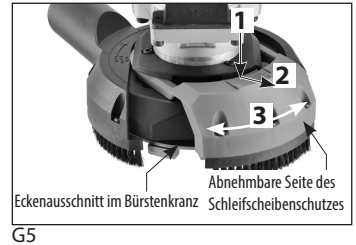


SCHLEIFSCHLEIBENSCHUTZ

Der Schleifscheibenschutz (d. h. der Bürstenkranz) muss beim Betrieb der Maschine stets verwendet werden. Er ist nicht einstellbar. Die abnehmbare Seite kann vorübergehend abgebaut werden, um den Eckenausschnitt freizulegen. Siehe unten.

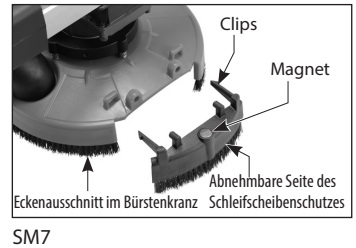
DER ECKENAUSSCHNITT

Bei Arbeiten an einer Wand oder in einer Ecke verhindert der Bürstenkranz, dass der Schleifkopf ganz bis an die Kante gelangt. Bei dem G5-Modell drücken Sie die Lasche und schieben Sie die abnehmbare Seite nach außen, um sie zu entriegeln. Drehen Sie dann die abnehmbare Seite zur Seite, bis sie einrastet.



HINWEIS: Halten Sie den Mechanismus sauber. Abgelagerter Staub würde das Öffnen erschweren.

Beim SM7 können Sie die Seite abbauen, indem Sie nach innen gegen die beiden Clips drücken. Dadurch wird der Eckenausschnitt im Bürstenkranz freigelegt. Die abnehmbare Seite kann vorübergehend mit dem Magnet auf der Querstrebe des Griffs befestigt werden. Nun kann der Schleifkopf direkt bis zur Kante gelangen. Allerdings wird die Entstaubung nicht mehr optimal sein. Bringen Sie also die abnehmbare Seite wieder an, sobald der Eckenausschnitt nicht mehr benötigt wird.



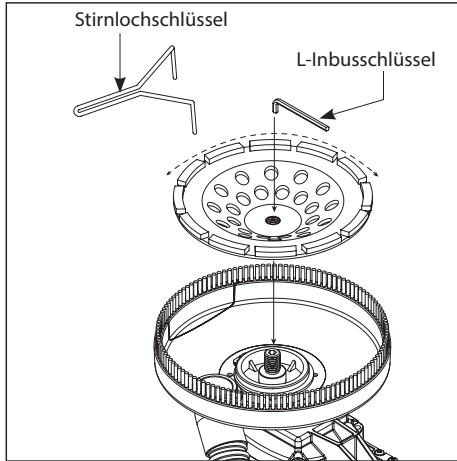
WERKZEUGWECHSEL – WECHSELN VON DIAMANTTOPFSCHLEIBEN

ACHTUNG: Bevor Sie Arbeiten oder Einstellungen an der Maschine durchführen, schalten Sie die Maschine aus und ziehen Sie den Netzstecker aus der Steckdose.

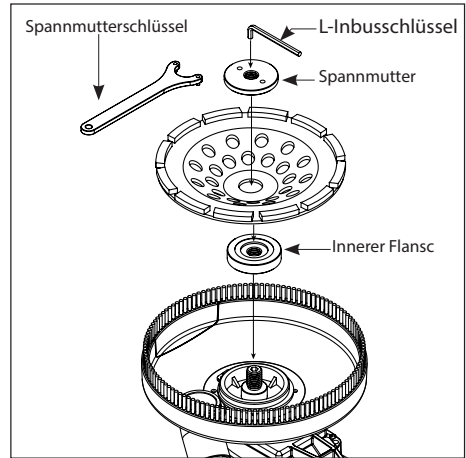
ACHTUNG: Die Scheibe kann während des Betriebs sehr heiß werden. Lassen Sie sie vor dem Wechsel abkühlen.

1. Stellen Sie die Maschine auf eine ebene und stabile Arbeitsfläche.
2. Wenn Sie eine Diamanttopfscheibe mit M14-Innengewinde verwenden, werden die Flansche nicht benötigt. Schrauben Sie die Scheibe einfach auf die Spindel. Verwenden Sie den L-Inbusschlüssel, um die Spindel festzuhalten, und ziehen Sie die Scheibe mit dem Stirnlochschlüssel fest.
3. Wenn Sie eine Diamanttopfscheibe mit Spindelbohrung verwenden, bauen Sie zuerst den inneren Flansch an die Spindel an. Montieren Sie die Scheibe auf den inneren Flansch und schrauben Sie dann die Spannmutter ein. Halten Sie die Spindel mit dem L-Inbusschlüssel fest und drehen Sie die Spannmutter mit dem Spannmutterschlüssel fest.
4. Den Abbau erfolgt in umgekehrter Reihenfolge des Anbaus.

DER ANBAU VON DIAMANTTOPFSCHLEIBEN MIT M14-INNENGEWINDE.



DER ANBAU VON DIAMANTTOPFSCHLEIBEN MIT SPINDELBOHRUNG.



LAGERUNG

ACHTUNG: Lagern Sie die Maschine nicht, indem Sie auf den Bürsten steht.

ACHTUNG: Lager Sie die Maschine nicht mit eingeklemmtem Netzkabel. Dies würde zu Beschädigungen des Kabels führen.

ERSETZEN DER STAUSCHÜRZENBÜRSTEN

Bei den G5-Modellen können die Stauschürzenbürsten ersetzt werden, wenn sie verschlissen sind. Lösen Sie dazu die 3 Schrauben der kleinen Bürste an der abnehmbaren Seite und die 6 Schrauben der großen Bürste an der Stauschürze.

AUSTAUSCH DER KOHLEBÜRSTEN

Die Kohlebürsten sind normale Verschleißteile und müssen ersetzt werden, wenn sie verschlissen sind.

ACHTUNG: Ersetzen Sie die Bürsten immer als Paar.

Austausch der Bürsten

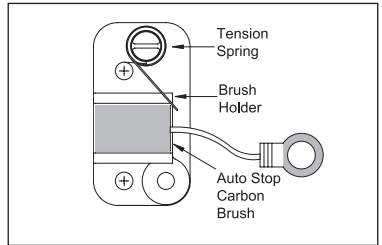
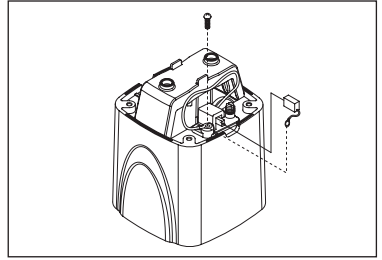
Drehen Sie die 4 Schrauben heraus und nehmen Sie die hintere Abdeckung ab. Schieben Sie mit einer Zange die Bürstenfeder zur Seite und schieben Sie die alte Kohlebürste aus der Bürstenhalterung. Drehen Sie die Schraube heraus und nehmen Sie den Anschlussdraht ab. Die alte Kohlebürste kann jetzt abgenommen

werden.

Bauen Sie eine neue Bürste an. Den Einbau erfolgt in umgekehrter Reihenfolge des Ausbaus.

Bringen Sie die hintere Motorabdeckung wieder an.

HINWEIS: Wenn Sie die gleichen Bürsten wieder einbauen, stellen Sie zunächst sicher, dass die Bürsten an derselben Stelle wieder eingebaut werden. Ansonsten kommt es zu einer Einlaufzeit, die die Motorleistung reduziert und den Bürstenverschleiß erhöht. Es wird empfohlen, mindestens einmal jährlich das Werkzeug zu einem autorisierten Service Center für eine gründliche Reinigung und Schmierung zu bringen.



WARTUNG

WARNUNG: Um die Gefahr von Verletzungen durch unerwartetes Starten oder aufgrund eines Stromschlages zu reduzieren, ziehen Sie den Netzstecker aus der Steckdose, bevor Sie Arbeiten an der Maschine durchführen.

Halten Sie das Werkzeug sauber. Entfernen Sie Staubansammlungen von Arbeitsteilen. Stellen Sie sicher, dass das Werkzeug ordnungsgemäß funktioniert. Prüfen Sie Schrauben und Muttern regelmäßig auf festen Sitz.

DAS WERKZEUG SAUBER HALTEN

Halten Sie die Maschine und den Lufteinlassschlitz jederzeit sauber, um ordnungsgemäße und sichere Arbeitsbedingungen zu gewährleisten. Unter extremen Einsatzbedingungen, bei denen Metall involviert ist, kann Staub in das Innere der Maschine eindringen. Die Schutzisolierung der Maschine kann beeinträchtigt werden. In solchen Fällen sollte die Maschine regelmäßig durch den Lufteinlassschlitz durchgeblasen werden. Es wird empfohlen, den Staubabsaugaufsatz zu verwenden.

WARNUNG: Um Sicherheit und Zuverlässigkeit zu gewährleisten, sollten alle Reparaturen, mit Ausnahme der äußerlich zugänglichen Bürsten, von einem autorisierten Service Center durchgeführt werden.

WARNUNG: Wenn der Austausch des Netzkabels erforderlich ist, hat dies durch den Hersteller oder dessen Vertreter zu erfolgen, um ein Sicherheitsrisiko zu vermeiden.

Elektrowerkzeuge nicht im Hausmüll entsorgen! Gemäß der europäischen Richtlinie 2002/96/EG über Elektro- und Elektronik-Altgeräte und Umsetzung in nationales Recht müssen Elektrowerkzeuge separat gesammelt und umweltgerecht recycelt werden.

Geräusch-/Vibrationsinformationen

Gemessen nach EN 60745-2-3

Modell-Nr.: G5, SM7

Geräuschpegel: Schalldruckpegel(L_{pA}): 90,0 dB (A) Schalleistungspegel(L_{wA}): 101,0 dB(A) $K = 3,0$ dB(A)

Vibrationswert: $a_n = 7,5$ m/s² $K = 1,5$ m/s²

Der Vibrationsemissionswert wurde in Übereinstimmung mit einem standardisierten Test gemäß EN 60745 gemessen. Er kann dazu verwendet werden, ein Gerät mit einem anderen zu vergleichen, sowie zur vorläufigen Beurteilung der Exposition gegenüber Vibrationen, wenn das Gerät für die genannten Anwendungen verwendet wird.

-Die Verwendung des Werkzeugs für andere Anwendungen, oder mit anderem oder schlecht gewartetem Zubehör kann den Expositionsgrad erheblich erhöhen.

-Zeiten, in denen das Werkzeug abgeschaltet ist oder im Leerlauf läuft, können den Expositionsgrad erheblich verringern.

Schützen Sie sich gegen die Belastung durch Vibrationen, indem Sie das Werkzeug und das Zubehör korrekt warten, Ihre Hände warm halten und Ihre Arbeitsabläufe organisieren.

CE-Konformitätserklärung

• Wir erklären in alleiniger Verantwortung, dass dieses Produkt mit den folgenden Normen oder normativen Dokumenten übereinstimmt: EN 60745-1: 2009 + A11: 2010; EN 60745-2-3: 2011 + A2: 2013 + A11: 2014 + A12: 2014 + A13: 2015, EN 61000, EN 55014, und somit den Bestimmungen folgender Richtlinien entspricht: 2014/30/EU, 2006/42/EG, 2011/65/EU.

• Technische Unterlagen: LEE YEONG INDUSTRIAL CO., LTD., NO.2, KEJIA RD., DOULIU CITY, YUNLIN COUNTY 64057, TAIWAN

You-Chun, Liu
Operation & Engineering

You chun Liu

Chih-Hao, Lai
Approval Manager

chih hao lai

LEE YEONG INDUSTRIAL CO., LTD.,
NO.2, KEJIA RD., DOULIU CITY, YUNLIN COUNTY 64057, TAIWAN 07.04.2014

LEE YEONG INDUSTRIAL CO., LTD.

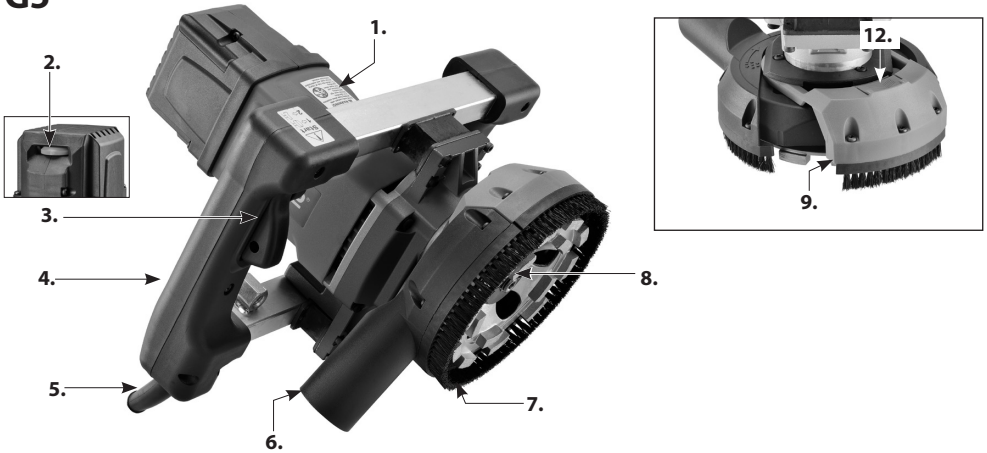
NO.2, KEJIA RD., DOULIU CITY,
YUNLIN COUNTY 64057, TAIWAN

TEL: 886-5-5518689 (REP)

Fax: 886-5-5518635

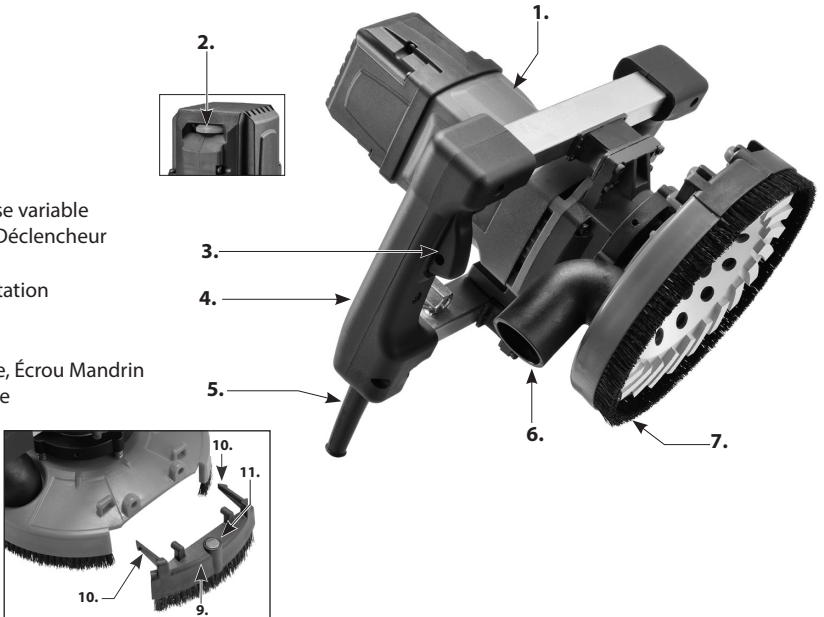
Modèle	G5	SM7
Tension d'entrée	110-120V:1700W, 220-240V:2200W	
Tension	110-120V~ 50-60Hz , 220-240V~ 50-60Hz (Voir la plaque signalétique de la machine)	
Aucune Charge/min ⁻¹	4500 ~ 9500	3200 - 6500
Diamètre de la roue	125mm (5")	180mm (7")
Filetage de broche	M14	M14
Mandrin	22,23mm (7/8")	22,23 mm (7/8 ")
Dimensions	246mm x 280mm x 325mm	
Poids	5,75kg(12,65Lbs)	5,74 kg (12,62Lbs)

G5



SM7

1. Moteur
2. Molette à vitesse variable
3. Commutateur Déclencheur
4. Poignée
5. Câble d'alimentation
6. Port Poussière
7. Jupe
8. Bride extérieure, Écrou Mandrin
9. Porte Demi-lune
10. Clips
11. Aimant
12. Onglet



INDICATIONS GÉNÉRALES DE SÉCURITÉ



ATTENTION ! Lire toutes les consignes de sécurité et indications. Le non-respect des avertissements et instructions indiqués ciaprès peut entraîner un choc électrique, un incendie et/ou de graves blessures.

Conserver tous les avertissements et toutes les instructions pour pouvoir s'y reporter ultérieurement.

Le terme « outil » dans les avertissements fait référence à votre outil électrique alimenté par le secteur (avec cordon d'alimentation) ou votre outil fonctionnant sur batterie (sans cordon d'alimentation).

1. PLACE DE TRAVAIL

- a. **Maintenez l'endroit de travail propre et bien éclairé.** Un lieu de travail en désordre ou mal éclairé augmente le risque d'accidents.
- b. **N'utilisez pas l'appareil dans un environnement présentant des risques d'explosion et où se trouvent des liquides, des gaz ou poussières inflammables.** Les outils électroportatifs génèrent des étincelles risquant d'enflammer les poussières ou les vapeurs.
- c. **Tenez les enfants et autres personnes éloignés durant l'utilisation de l'outil électroportatif.** En cas d'inattention vous risquez de perdre le contrôle sur l'appareil.
- d. **Ne laissez pas l'outil électrique fonctionner sans surveillance.** Ne vous éloignez de l'outil électrique que lorsque l'accessoire est complètement immobilisé.

2. SÉCURITÉ RELATIVE AU SYSTÈME ÉLECTRIQUE

- a. **La fiche de secteur de l'outil électroportatif doit être appropriée à la prise de courant. Ne modifiez en aucun cas la fiche. N'utilisez pas de fiches d'adaptateur avec des appareils avec mise à la terre.** Les fiches non modifiées et les prises de courant appropriées réduisent le risque de choc électrique.
- b. **Évitez le contact physique avec des surfaces mises à la terre tels que tuyaux, radiateurs, fours et réfrigérateurs.** Il y a un risque élevé de choc électrique au cas où votre corps serait relié à la terre.
- c. **N'exposez pas l'outil électroportatif à la pluie ou à l'humidité.** La pénétration d'eau dans un outil électroportatif augmente le risque d'un choc électrique.
- d. **N'utilisez pas le câble à d'autres fins que celles prévues, n'utilisez pas le câble pour porter l'appareil ou pour l'accrocher ou encore pour le débrancher de la prise de courant. Maintenez le câble éloigné des sources de chaleur, des parties grasses, des bords tranchants ou des parties de l'appareil en rotation.** Un câble endommagé ou torsadé augmente le risque d'un choc électrique.
- e. **Au cas où vous utiliseriez l'outil électroportatif à l'extérieur, utilisez une rallonge autorisée homologuée pour les applications extérieures.** L'utilisation d'une rallonge électrique homologuée pour les applications extérieures réduit le risque d'un choc électrique.
- f. **Si l'usage d'un outil dans un emplacement humide est inévitable, utiliser une alimentation protégée par un dispositif à courant différentiel résiduel (RCD).** L'usage d'un RCD réduit le risque de

choc électrique.

3. SÉCURITÉ DES PERSONNES

- a. **Restez vigilant, surveillez ce que vous faites. Faites preuve de bon en utilisant l'outil électroportatif. N'utilisez pas l'appareil lorsque vous êtes fatigué ou après avoir consommé de l'alcool, des drogues ou avoir pris des médicaments.** Un moment d'inattention lors de l'utilisation de l'appareil peut entraîner de graves blessures sur les personnes.
- b. **Portez des équipements de protection. Portez toujours des lunettes de protection.** Le fait de porter des équipements de protection personnels tels que masque anti-poussières, chaussures de sécurité antidérapantes, casque de protection ou protection acoustique suivant le travail à effectuer, réduit le risque de blessures.
- c. **Evitez une mise en service par mégarde. Assurez-vous que l'interrupteur est effectivement en position d'arrêt avant de retirer la fiche de la prise de courant.** Le fait de porter l'appareil avec le doigt sur l'interrupteur ou de brancher l'appareil sur la source de courant lorsque l'interrupteur est en position de fonctionnement, peut entraîner des accidents.
- d. **Enlevez tout outil de réglage ou toute clé avant de mettre l'appareil en fonctionnement.** Une clé ou un outil se trouvant sur une partie en rotation peut causer des blessures.
- e. **Ne surestimez pas vos capacités. Veillez à garder toujours une position stable et équilibrée.** Ceci vous permet de mieux contrôler l'appareil dans des situations inattendues.
- f. **Portez des vêtements appropriés. Ne portez pas de vêtements amples, ni de bijoux. Gardez les cheveux et les vêtements à distance des pièces mobiles.** Des vêtements amples, des bijoux ou des cheveux longs peuvent être happés par les pièces en mouvement.
- g. **Si des dispositifs servant à aspirer ou à recueillir les poussières doivent être utilisés, vérifiez que ceux-ci soient effectivement raccordés et qu'ils sont correctement utilisés.** L'utilisation de tels dispositifs réduit les dangers dus aux poussières.
- h. **Ne devenez pas trop sûr de vous, par habitude suite à une utilisation fréquente de l'appareil, de manière à ne pas respecter les principes de sécurité de base de l'appareil.** Une action imprudente peut occasionner de graves blessures en l'espace d'une fraction de seconde.

4. UTILISATION ET EMPLOI SOIGNEUX DE L'OUTIL ÉLECTROPORTATIF

- a. **Ne surchargez pas l'appareil. Utilisez l'outil électroportatif approprié au travail à effectuer.** Avec l'outil électroportatif approprié, vous travaillerez mieux et avec plus de sécurité à la vitesse pour laquelle il est prévu.
- b. **N'utilisez pas un outil électroportatif dont l'interrupteur est défectueux.** Un outil électroportatif qui ne peut plus être mis en ou hors fonctionnement est dangereux et doit être réparé.
- c. **Retirer la fiche de la prise de courant avant d'effectuer des réglages sur l'appareil, de changer les accessoires, ou de ranger l'appareil.** Cette mesure de précaution empêche une mise en fonctionnement par mégarde.
- d. **Gardez les outils électroportatifs non utilisés hors de portée des enfants. Ne permettez pas**

l'utilisation de l'appareil à des personnes qui ne se sont pas familiarisées avec celui-ci ou qui

n'ont pas lu ces instructions. Les outils électroportatifs sont dangereux lorsqu'ils sont utilisés par des personnes non initiées.

- e. Prenez soin des outils électroportatifs. Vérifiez que les parties en mouvement fonctionnent correctement et qu'elles ne soient pas coincées, et contrôlez si des parties sont cassées ou endommagées de telle sorte que le bon fonctionnement de l'appareil s'en trouve entravé. Faites réparer les parties endommagées avant d'utiliser l'appareil.** De nombreux accidents sont dus à des outils électroportatifs mal entretenus.
- f. Maintenez les outils de coupe aiguisés et propres.** Des outils soigneusement entretenus avec des bords tranchants bien aiguisés se coincent moins souvent et peuvent être guidés plus facilement.
- g. Utilisez les outils électroportatifs, les accessoires, les outils à monter etc. conformément à ces instructions et aux prescriptions en vigueur pour ce type d'appareil. Tenez compte également des conditions de travail et du travail à effectuer.** L'utilisation des outils électroportatifs à d'autres fins que celles prévues peut entraîner des situations dangereuses.
- h. Gardez les poignées dans un état sec, propre et exempt d'huile et de graisse.** Des poignées glissantes ne permettent pas une prise en main sûre et le contrôle de l'outil électrique dans des situations inattendues.

5. SERVICE

- a. Ne faites réparer votre outil électroportatif que par un personnel qualifié et seulement avec des pièces de rechange d'origine.** Ceci permet d'assurer la sécurité de l'appareil.
- b. Pour la réparation et l'entretien, n'utilisez que des pièces d'origine.** L'utilisation d'accessoires ou de pièces de rechange non adaptés risque de provoquer une électrocution ou des blessures.

Symboles utilisés dans ce manuel

V.....volts

A.....ampères

Hz.....hertz

W.....watts

~.....courant alternatif

nvitesse nominale

min⁻¹.....révolutions ou alternance par minute



.....avertissement de danger général



.....outil de classe II



.....lisez ces instructions



.....portez toujours une protection oculaire



..... Toujours porter un masque anti-poussière.



.....portez toujours une protection auditive



.....portez un casque de sécurité agréé



ne jetez pas les outils électriques, les accessoires et les emballages avec les déchets ménagers

Avertissements de sécurité pour les ponceuses à béton

Avertissements de sécurité communs pour les opérations de meulage

- **Cet outil électrique est destiné à fonctionner comme meuleuse. Lire toutes les mises en garde de sécurité, les instructions, les illustrations et les spécifications fournies avec cet outil électrique.** Le fait de ne pas suivre toutes les instructions données ci-dessous peut provoquer un choc électrique, un incendie et/ou une blessure grave.
- **Les opérations de ponçage, de broissage métallique, de lustrage ou de tronçonnage ne sont pas recommandées avec cet outil électrique.** Les opérations pour lesquelles l'outil électrique n'a pas été conçu peuvent provoquer un danger et causer un accident corporel.
- **Ne pas utiliser d'accessoires non conçus spécifiquement et recommandés par le fabricant d'outils.** Le simple fait que l'accessoire puisse être fixé à votre outil électrique ne garantit pas un fonctionnement en toute sécurité.
- **La vitesse assignée de l'accessoire doit être au moins égale à la vitesse maximale indiquée sur l'outil électrique.** Les accessoires fonctionnant plus vite que leur vitesse assignée peuvent se rompre et voler en éclat.
- **Le diamètre extérieur et l'épaisseur de votre accessoire doivent se situer dans le cadre des caractéristiques de capacité de votre outil électrique.** Les accessoires dimensionnés de façon incorrecte ne peuvent pas être protégés ou commandés de manière appropriée.
- **Le montage fileté d'accessoires doit être adapté au filet de l'arbre de la meuleuse. Pour les accessoires montés avec des flasques, l'alésage central de l'accessoire doit s'adapter correctement au diamètre du flasque.** Les accessoires qui ne correspondent pas aux éléments de montage de l'outil électrique seront en déséquilibre, vibreront de manière excessive et pourront provoquer une perte de contrôle.
- **Ne pas utiliser d'accessoire endommagé. Avant chaque utilisation examiner les accessoires comme les meules abrasives pour détecter la présence éventuelle de copeaux et fissures, les patins d'appui pour détecter des traces éventuelles de fissures, de déchirure ou d'usure excessive, ainsi que les brosses métalliques pour détecter des fils desserrés ou fissurés. Si l'outil électrique ou l'accessoire a subi une chute, examiner les dommages éventuels ou installer un accessoire non endommagé. Après examen et installation d'un accessoire, placez-vous ainsi que les personnes présentes à distance du plan de l'accessoire rotatif et faites marcher l'outil électrique à vitesse maximale à vide pendant 1 min.** Les accessoires endommagés seront normalement détruits pendant cette période d'essai.
- **Porter un équipement de protection individuelle. En fonction de l'application, utiliser un écran facial, des lunettes de sécurité ou des verres de sécurité. Le cas échéant, utiliser un masque antipoussières, des protections auditives, des gants et un tablier capables d'arrêter les petits fragments abrasifs ou des pièces à usiner.** La protection oculaire doit être capable d'arrêter les débris volants produits par les diverses opérations. Le masque antipoussières ou le respirateur doit être capable de filtrer les particules produites par vos travaux. L'exposition prolongée aux bruits de forte intensité peut provoquer une perte de l'audition.
- **Maintenir les personnes présentes à une distance de sécurité par rapport à la zone de travail. Toute personne entrant dans la zone de travail doit porter un équipement de protection individuelle.** Des fragments de pièce à usiner ou d'un accessoire cassé peuvent être projetés et provoquer des blessures en dehors de la zone immédiate d'opération.
- **Tenir l'outil uniquement par les surfaces de préhension isolantes, pendant les opérations au cours desquelles l'accessoire coupant peut être en contact avec des conducteurs cachés ou avec son**

propre câble. Le contact de l'accessoire coupant avec un fil « sous tension » peut mettre « sous tension » les parties métalliques exposées de l'outil électrique et provoquer un choc électrique sur l'opérateur.

- **Placer le câble éloigné de l'accessoire de rotation.** Si vous perdez le contrôle, le câble peut être coupé ou subir un accroc et votre main ou votre bras peut être tiré dans l'accessoire en rotation.
- **Ne jamais reposer l'outil électrique avant que l'accessoire n'ait atteint un arrêt complet.** L'accessoire de rotation peut agripper la surface et arracher l'outil électrique hors de votre contrôle.
- **Ne pas faire fonctionner l'outil électrique en le portant sur le côté.** Un contact accidentel avec l'accessoire en rotation pourrait accrocher vos vêtements et attirer l'accessoire sur vous.
- **Nettoyer régulièrement les orifices d'aération de l'outil électrique.** Le ventilateur du moteur attirera la poussière à l'intérieur du boîtier et une accumulation excessive de poudre de métal peut provoquer des dangers électriques.
- **Ne pas faire fonctionner l'outil électrique à proximité de matériaux inflammables.** Des étincelles pourraient enflammer ces matériaux.
- **Ne pas utiliser d'accessoires qui nécessitent des réfrigérants fluides.** L'utilisation d'eau ou d'autres réfrigérants fluides peut aboutir à une électrocution ou un choc électrique.

Rebonds et mises en garde correspondantes

- Le rebond est une réaction soudaine au pincement ou à l'accrochage d'une meule rotative, d'un patin d'appui, d'une brosse ou de tout autre accessoire. Le pincement ou l'accrochage provoque un blocage rapide de l'accessoire en rotation qui, à son tour, contraint l'outil électrique hors de contrôle dans le sens opposé de rotation de l'accessoire au point du grippage. Par exemple, si une meule abrasive est accrochée ou pincée par la pièce à usiner, le bord de la meule qui entre dans le point de pincement peut creuser la surface du matériau, provoquant des sauts ou l'expulsion de la meule. La meule peut sauter en direction de l'opérateur ou encore en s'en éloignant, selon le sens du mouvement de la meule au point de pincement. Les meules abrasives peuvent également se rompre dans ces conditions. Le rebond résulte d'un mauvais usage de l'outil et/ou de procédures ou de conditions de fonctionnement incorrectes et peut être évité en prenant les précautions appropriées spécifiées ci-dessous.
- **Maintenir solidement l'outil et positionner le corps et le bras de manière à pouvoir résister aux forces de rebond. Toujours utiliser la poignée auxiliaire, le cas échéant, pour contrôler au maximum les rebonds ou les réactions de couple au moment du démarrage.** L'opérateur est en mesure de contrôler les réactions de couple ou les forces de rebond, si des précautions appropriées ont été prises.
- **Ne jamais placer votre main à proximité de l'accessoire en rotation.** L'accessoire peut effectuer un rebond sur votre main.
- **Ne pas vous placer dans la zone où l'outil électrique se déplacera en cas de rebond.** Le rebond pousse l'outil dans le sens opposé au mouvement de la meule au point d'accrochage.
- **Etre particulièrement prudent lors d'opérations sur des coins, des arêtes vives etc. Eviter que l'accessoire ne rebondisse et ne s'accroche.** Les coins, les arêtes vives ou les rebondissements ont tendance à accrocher l'accessoire en rotation et à provoquer une perte de contrôle ou un rebond.
- **Ne pas fixer de chaîne coupante, de lame de sculpture sur bois ni de lame de scie dentée.** De telles lames provoquent des rebonds fréquents et des pertes de contrôle.

Instructions de sécurité additionnelles pour les opérations de meulage

- **Utiliser uniquement des types de meules recommandés pour votre outil électrique et le protecteur spécifique conçu pour la meule choisie.** Les meules pour lesquelles l'outil électrique n'a pas été conçu ne peuvent pas être protégées de façon satisfaisante et sont dangereuses.

- **La surface de meulage des meules à moyeu déporté doit être montée sous le plan de la lèvre du protecteur.** Une meule montée de manière incorrecte qui dépasse du plan de la lèvre du protecteur ne peut pas être protégée de manière appropriée.
- **Le protecteur doit être solidement fixé à l'outil électrique et placé en vue d'une sécurité maximale, de sorte que l'opérateur soit exposé le moins possible à la meule.** Le protecteur permet de protéger l'opérateur des fragments de meule cassée, d'un contact accidentel avec la meule et d'étincelles susceptibles d'enflammer les vêtements.
- **Les meules doivent être utilisées uniquement pour les applications recommandées. Par exemple : ne pas meuler avec le côté de la meule à tronçonner.** Les meules à tronçonner abrasives sont destinées au meulage périphérique, l'application de forces latérales à ces meules peut les briser en éclats.
- **Toujours utiliser des flasques de meule non endommagés qui sont de taille et de forme correctes pour la meule que vous avez choisie.** Des flasques de meule appropriés supportent la meule réduisant ainsi la possibilité de rupture de la meule. Les flasques pour les meules à tronçonner peuvent être différents des autres flasques de meule.
- **Ne pas utiliser de meules usées d'outils électriques plus grands.** La meule destinée à un outil électrique plus grand n'est pas appropriée pour la vitesse plus élevée d'un outil plus petit et elle peut éclater.

RACCORDEMENT ÉLECTRIQUE

La tension du réseau doit être conforme à la tension indiquée sur la plaque signalétique du fabricant de l'outil. En aucun cas, l'outil ne doit être utilisé si le câble d'alimentation électrique est endommagé. Un câble endommagé doit être remplacé immédiatement par un centre de service à la clientèle autorisé. N'essayez pas de réparer le câble endommagé vous-même. L'utilisation de câbles d'alimentation endommagés peut être à l'origine d'une électrocution.

AVERTISSEMENT : Ne jamais faire fonctionner une machine endommagée. Signalez toujours une machine endommagée et mettez-la hors service jusqu'à ce que les réparations puissent être effectuées.

SYMBOLES DE SÉCURITÉ

ATTENTION : Indique une situation potentiellement dangereuse qui, si elle n'est pas évitée PEUT entraîner des blessures mineures. Il peut également être utilisé pour alerter contre des pratiques dangereuses qui peuvent causer des dommages à la propriété.

DANGER : Indique une situation dangereuse imminente qui, si elle n'est pas évitée, entraînera la mort ou des blessures graves.

AVERTISSEMENT : Indique une situation potentiellement dangereuse qui, si elle n'est pas évitée, entraînera la mort ou des blessures graves.

AVANT D'UTILISER CET OUTIL

AVERTISSEMENT : Certaines poussières dues à aux restes de sable, au fait de scier, broyer, percer et d'autres activités de construction contiennent des produits chimiques réputés pour provoquer le cancer, des problèmes de naissance ou d'autres torts reproductifs. Parmi ces produits chimiques, on peut citer :

- Le plomb provenant de peintures à base de plomb,
- La silice cristalline provenant des briques, du ciment et d'autres produits de maçonnerie
- L'arsenic et le chrome provenant du
- bois traité chimiquement.

Votre risque à ces expositions varie, en fonction du nombre de fois que vous réalisez ce type de travail. Pour réduire votre exposition à ces produits chimiques, travaillez dans un endroit bien aéré en portant des équipements de sécurité approuvés comme des masques anti-poussière spécialement conçus pour filtrer les particules microscopiques.

AVERTISSEMENT : Pour réduire le risque d'erreurs qui pourraient causer des blessures graves ou permanentes, ne branchez pas la machine avant que les étapes suivantes aient été réalisées.

- Apprenez l'utilisation et la fonction de l'interrupteur ON-OFF.
- Examinez et comprenez toutes les
- Instructions de sécurité et les procédures d'Utilisation dans ce manuel.
- Examinez les méthodes de maintenance de cet outil.

RÉDUIRE LE RISQUE D'UN ENVIRONNEMENT DANGEREUX

- Utilisez la machine dans un endroit sec ou à l'intérieur, un endroit protégé de la pluie.
- Placez la machine de sorte que ni l'utilisateur, ni les passants ne soient forcés de se tenir en ligne avec la machine. Les débris jetés pourraient blesser des personnes sur leur passage.

AVANT CHAQUE UTILISATION, INSPECTEZ VOTRE MACHINE

- Débranchez la Machine de sa source d'énergie pour réduire le risque de blessure dû à un démarrage accidentel, avant de modifier toute configuration.
- Vérifier le bon alignement des pièces mobiles.
- Vérifiez les cordons électriques endommagés.
- Vérifiez la liaison de pièces mobiles.
- Vérifiez les pièces cassées.
- Assurez-vous que la pièce est stable
- Vérifiez les autres conditions qui peuvent influencer sur la façon de fonctionner de la machine.

Entretenez les outils avec soin. Maintenez la machine bien propre afin de lui assurer une performance optimale et sans danger. Suivez les instructions de lubrification.

OUR RÉDUIRE LE RISQUE DE BLESSURES A CAUSE DE BOURRAGES, GLISSADES OU PIÈCES JETÉES

- Pour réduire le risque de brûlures ou d'autres dommages dus au feu, ne jamais utiliser la machine à proximité de liquides inflammables, vapeurs ou gaz,
- Assurez-vous que tous les colliers sont bien serrés et qu'il n'y a pas de jeu excessif dans toutes les pièces,
- Veiller à laisser la zone de travail bien dégagée. Les zones et bancs encombrés invitent les accidents. Le sol ne doit pas être glissant.

Apprenez à connaître votre appareil Lisez et comprenez bien le mode d'emploi et les étiquettes apposées sur l'outil. Apprenez ses applications et limites, ainsi que le potentiel spécifique des risques propres à cet outil. Pour réduire le risque de blessures causées par un contact accidentel avec des pièces mobiles, ne pas faire de configuration, assemblage ou travaux d'installation sur la machine alors que n'importe quelle pièce bouge.

LORSQUE LA MACHINE EST EN MARCHÉ

AVERTISSEMENT : Ne pas permettre que la familiarité (acquise suite à une utilisation fréquente de l'outil) ne provoque une erreur d'inattention. Une fraction de seconde d'inattention est suffisante pour causer une blessure grave.

Si la machine fait un bruit non familier ou vibre beaucoup, **ARRÊTEZ IMMÉDIATEMENT**. Éteignez l'outil. Débranchez l'appareil. Ne pas redémarrer avant que vous n'ayez trouvé et corrigé le problème. Assurez-vous que tous les visiteurs, les passants et les enfants sont dégagés de l'outil et la pièce de travail.

AVANT DE LIBÉRER DU MATÉRIEL BLOQUÉ

- Éteignez l'outil sur "OFF" en relâchant le commutateur déclencheur,
- Attendez que toutes les pièces mobiles s'arrêtent,
- Débranchez l'appareil.

NE JAMAIS LAISSER L'OUTIL EN MARCHÉ SANS SURVEILLANCE

- Tournez l'alimentation sur "OFF"
- Attendez que toutes les pièces mobiles s'arrêtent,
- Débranchez l'appareil

AVERTISSEMENT : L'utilisation de tout outil électrique peut entraîner la projection d'objets dans les yeux, ce qui peut entraîner de graves lésions oculaires. Avant de commencer à utiliser l'outil, toujours porter des lunettes de sécurité avec écrans latéraux et un écran facial complet en cas de besoin. Nous recommandons d'utiliser un masque de sécurité à large vision sur des lunettes ou des lunettes de sécurité avec écrans latéraux.

FAITES UN ATELIER SANS ENFANT

Verrouillez la boutique.

Débranchez les commutateurs maîtres.

Rangez l'outil loin des enfants et d'autres personnes non qualifiées pour utiliser l'outil.

Observez ce symbole qui vous montre les précautions de sécurité à respecter. Il signifie ATTENTION!!! Votre sécurité est concernée.

EXIGENCES MOTEUR ET ÉLECTRIQUES

AVERTISSEMENT : Pour réduire le risque de dangers électriques, les risques d'incendie ou d'endommagement de l'outil, utilisez une protection de circuit adéquate. Pour réduire le risque d'électrocution ou d'incendie, si le cordon d'alimentation est usé, coupé ou endommagé d'une façon ou d'une autre, faites-le remplacer immédiatement.

AVERTISSEMENT : Veillez à ce que les doigts ne touchent pas les bornes de la prise lorsque vous installez ou retirez la fiche de la prise pour éviter les blessures ou une mort possible en raison d'un choc électrique.

PROTECTION DE SÉCURITÉ MOTEUR

IMPORTANT : Pour éviter d'endommager le moteur, ce moteur doit être épousseté ou aspiré fréquemment pour empêcher la poussière d'interférer avec la ventilation normal du moteur.

1. Connectez cet outil à une source d'alimentation avec la tension appropriée pour votre modèle.
2. Si le moteur ne démarre pas, tournez le commutateur sur "OFF" immédiatement et débranchez l'outil.
3. Si le moteur cale soudainement lors du fraisage, relâchez le commutateur déclencheur et de débranchez l'outil. Le moteur peut être redémarré à présent.
4. Les fusibles peuvent «sauter» ou des disjoncteurs peuvent se déclencher fréquemment pour les raisons suivantes:
 - a. **Le moteur est surchargé** - La surcharge peut se produire si vous faites trop de démarrage / arrêts dans un court laps de temps.
 - b. Les tensions de ligne ne doivent pas être plus de 10% au-dessus ou au-dessous de la tension nominale. Pour les charges lourdes, cependant, la tension aux bornes du moteur doit être égale à la tension spécifiée pour votre modèle. Une tête de fraisage incorrecte ou émoussée est utilisée.
5. La plupart des troubles moteurs peuvent être attribués à des connexions desserrées ou incorrectes, un surcharge, une basse tension, (comme un fil de petite taille dans le circuit d'alimentation) ou un trop long fil de circuit d'alimentation. Toujours vérifier les connexions, la charge et le circuit d'alimentation à chaque fois que le moteur ne fonctionne pas bien. Vérifiez la taille de fil et la longueur avec le graphique de Taille de fil.

DÉBALLAGE

AVERTISSEMENT : Pour réduire le risque de blessure à cause d'un démarrage inattendu ou un choc électrique, ne branchez pas le cordon électrique à une prise d'alimentation lors du déballage et de

l'assemblage. Le cordon doit rester débranché chaque fois que vous travaillez sur l'outil. Votre outil est livré complet dans une boîte.

Retirez l'outil et toutes les pièces détachées du carton. Placez toutes les pièces sur une surface de travail sûre, stable et contrôlez la machine attentivement.

LISTE DES PIÈCES

Table des matières

Assemblage de base	1
Mode d'emploi.....	1
Poignée latérale.....	1
Clé Écrou de verrouillage.....	1
Clé Tendeur Avant.....	1
L-H Clé hex.....	1
Brides	2

ACCESSOIRES RECOMMANDÉS

Cette machine peut uniquement être utilisée avec des meules boisseau diamantées de 125mm de diamètre pour G5 et 180mm pour SM7 avec 22,23 mm (7/8") de trou de mandrin ou un fil femelle M14. Toutes les autres utilisations sont interdites.

Des accessoires abrasifs agglomérés ne peuvent pas être utilisés avec cette machine.

FONCTIONNEMENT DE BASE

REMARQUE : Assurez-vous que la tension du circuit d'alimentation correspond à celle qui est indiquée sur la plaque signalétique de la machine et que le commutateur se trouve sur "OFF" avant de raccorder l'outil au circuit d'alimentation.

LE COMMUTATEUR

La machine dispose d'un commutateur déclencheur verrouillable. Appuyez sur le déclencheur pour démarrer la machine.

Pour verrouiller le commutateur, appuyez sur le bouton de verrouillage tout en maintenant le bouton de déclenchement en marche.

Pour relâcher, appuyez sur la gâchette et relâchez.

ATTENTION : Après que la machine ait été mise hors tension, la broche continuera à tourner. Soyez attentif à ce qu'aucune partie de votre corps n'entre en contact avec les éléments en rotation ou éteignez l'appareil pendant qu'il tourne encore!



UTILISATION DE L'OUTIL

Le contrôle effectif de cette machine exige un fonctionnement à deux mains pour obtenir une sécurité et un contrôle maximal lors du démarrage et du fonctionnement. Lorsque vous travaillez avec la machine, tenez-la toujours fermement **AVEC LES DEUX MAINS** afin d'éviter toute perte de contrôle, ce qui pourrait causer des blessures. Évitez d'endommager vos yeux en portant des lunettes ou des lunettes de sécurité.

SURCHARGE

Cette machine est équipée d'une protection en cas de surcharge, qui arrête le moteur si le courant maximal autorisé est dépassé. Si la surcharge fait disjoncter la machine, enlevez-la de la surface de travail, relâchez le commutateur, puis redémarrez. La machine va redémarrer.

ATTENTION : A chaque surcharge de la machine, toujours faire fonctionner la machine à vide pendant quelques minutes pour réduire la température avant de revenir au fonctionnement normal.

STABILISATION DE LA VITESSE

Cette machine est équipée d'un système de stabilisation électronique de vitesse qui maintient la vitesse constante sous charge.

FONCTION DE VITESSE VARIABLE

La vitesse du moteur peut être modifiée pour répondre aux besoins des différentes situations de travail. Tournez la molette de vitesse variable dans le sens horaire pour augmenter la vitesse et le sens antihoraire pour la diminuer.



RACCORDEMENT DE L'ASPIRATEUR

AVERTISSEMENT : La poussière qui se développe lors du travail peut être nocive pour la santé.

Cette machine est conçue spécifiquement pour poncer à sec du béton ou des matériaux similaires. Elle utilise des meules boisseau diamantées à sec et doit être utilisée avec un aspirateur approprié. Ne jamais relâcher la poussière directement dans l'atmosphère.

Pour fixer le tuyau d'aspiration au Port Poussière, maintenez la machine fermement d'une main. Puis, avec un mouvement de torsion, poussez le tuyau d'aspiration sur le Port Dust.

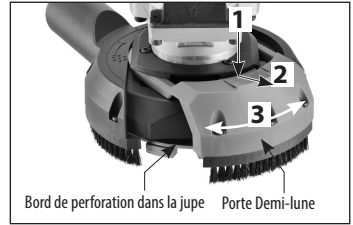
GARDE-CORPS

Le garde-corps (c.à d. la jupe) doit être utilisé en tout temps lors du fonctionnement de cette machine. Il n'est pas réglable. La porte demi-lune peut être retirée temporairement pour exposer le bord de perforation. Voir ci-dessous.

LA PERFORATION DE BORDS

Lorsque vous travaillez contre un mur ou dans un coin, la jupe empêche à la tête de ponçage d'accéder au bord.

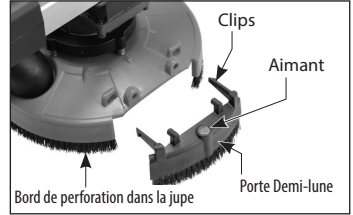
Sur le modèle G5, appuyez sur l'onglet, faites glisser la Porte Demi-Lune vers l'extérieur, puis tournez-la vers le côté jusqu'à ce que vous entendiez un clic.



G5

REMARQUE : Gardez le mécanisme propre. L'accumulation de poussière rend l'ouverture difficile.

Sur le modèle SM7, vous pouvez retirer la porte demi-lune en la poussant vers l'intérieur sur les deux clips. Cela permettra d'exposer la perforation du bord dans la jupe. La porte demi-lune peut adhérer temporairement à la barre de la poignée à l'aide de son aimant, ce qui devrait permettre à la tête de ponçage d'atteindre le bord. La collecte de la poussière ne sera pas idéale et il convient donc de replacer la porte dès que l'accès à la perforation de bord n'est plus nécessaire.



SM7

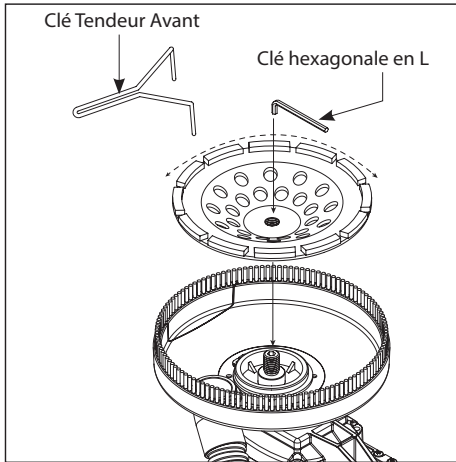
CHANGEMENT D'OUTIL - Enlèvement et remplacement de la meule boisseau diamantée

ATTENTION : Avant de travailler ou de régler la machine, coupez-la en la plaçant sur "OFF", puis DÉBRANCHEZ-LA de la prise.

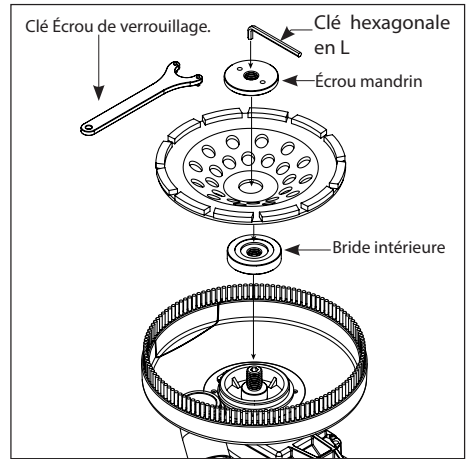
ATTENTION : La meule peut devenir très chaude pendant le travail avec la machine. Laissez la meule refroidir avant de la remplacer

1. Placez la machine à niveau et sur un espace de travail stable.
2. Si vous utilisez une meule boisseau diamantée avec un filetage femelle M14, vous ne devez pas utiliser les brides. Il suffit de visser la roue sur la broche. Utilisez la clé hexagonale en L pour empêcher que la broche ne tourne et serrez la meule à l'aide de la clé tendeur avant.
3. Si vous utilisez une meule boisseau diamantée avec un trou d'axe, montez d'abord le rebord interne sur la broche. Monter la meule sur l'épaulement de la bride intérieure, puis vissez l'écrou mandrin. Utilisez la clé hexagonale en L pour empêcher que la broche ne tourne et serrez l'écrou mandrin avec la clé écrou de verrouillage.
4. L'opération pour repositionner le tout se fait dans le sens contraire de l'enlèvement.

INSTALLATION DE MEULES BOISSEAU DIAMANTÉES AVEC UN FILETAGE FEMELLE M14.



INSTALLATION DE MEULES BOISSEAU DIAMANTÉES AVEC TROU D'AXE.



ENTREPOSAGE

ATTENTION : Ne pas entreposer la machine sur ses poils, mais bien sur son côté.

ATTENTION : Ne pas entreposer la machine si son câble d'alimentation est pincé, sous peine de lui occasionner des dommages vers le câble.

REPLACEMENT DES BALAIS ANTI-POUSSIÈRE

Une fois usés, il est possible de remplacer les balais anti-poussière sur les modèles G5.

Pour ce, enlevez les 3 vis si vous voulez remplacer le petit balai sur la porte demi-lune et les 6 vis pour remplacer le grand balai.

REPLACEMENT DES BALAIS DE CARBONE

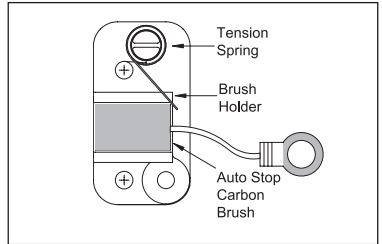
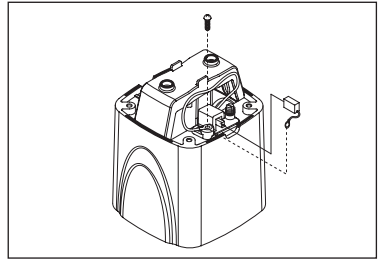
Les balais en carbone sont une pièce d'usure normale et ils doivent être remplacés lorsqu'ils atteignent leur limite d'usure.

ATTENTION : Remplacez toujours les balais par deux.

Pour remplacer :

Retirez les quatre vis et retirez le couvercle arrière. A l'aide de pinces, tournez le ressort du balai pour le faire sortir et faites glisser l'ancien balai de carbone hors de son porte-balai. Dévissez la vis pour retirer le pas du balai. L'ancien balai de carbone peut être soulevé et enlevé à présent.

Installez un nouveau balai. L'installation est l'inverse du retrait. Remplacez le couvercle arrière du moteur.



REMARQUE : Pour réinstaller les mêmes balais, vérifiez d'abord qu'il est possible de les remonter de la même manière avec laquelle vous les avez sortis. Sinon, une période de rodage aura lieu, ce qui réduira les performances du moteur et augmentera l'usure des balais. Nous vous recommandons d'apporter au moins une fois par an l'outil à un centre de service agréé en vue son nettoyage en profondeur et de sa lubrification.

ENTRETIEN

AVERTISSEMENT : Pour réduire le risque de blessure par un démarrage inattendu ou un choc électrique, débranchez le cordon d'alimentation avant de travailler sur la machine.

Conservez l'outil en bon état de propreté. Enlevez la poussière accumulée par les pièces qui travaillent. Assurez-vous que l'outil fonctionne correctement. Vérifiez régulièrement que les vis et les boulons sont bien serrés.

ENTRETIEN DE L'OUTIL

Conservez constamment l'outil et la grille de ventilation en bon état de propreté à tout moment afin d'assurer un fonctionnement correct et sûr de la machine. Dans des conditions extrêmes d'application impliquant du métal, la poussière peut pénétrer à l'intérieur de la machine. L'isolation de protection de la machine peut être affectée négativement. Dans ce cas, il faut souffler régulièrement sur la machine via la grille de ventilation. Il est recommandé d'utiliser l'accessoire d'aspiration.

AVERTISSEMENT : Pour assurer la sécurité et la fiabilité de l'outil, toutes les réparations, à l'exception des balais accessibles par l'extérieur, doivent être effectuées par un centre de service agréé.

AVERTISSEMENT : Si le remplacement du câble d'alimentation est nécessaire, il doit être effectué par le fabricant ou son représentant afin d'éviter tout danger pour la sécurité.

Ne jetez pas d'outils électriques avec les déchets ménagers ! Conformément à la Directive européenne 2002/96/CE sur les Déchets d'Équipement électrique et électronique et à sa transposition dans la loi nationale, les outils électriques usagés doivent être collectés séparément et recyclés de manière écologique.

Bruit / informations de vibration

Mesuré suivant la norme EN 60745-2-3

Modèle n° :G5, SM7

Niveau sonore : Niveau de pression acoustique(L_{pA}): 90.0 dB (A)

Niveau de puissance acoustique(L_{wA}): 101.0 dB(A) K = 3.0dB(A)

Niveau de vibration : $a_h = 7.5 \text{ m/s}^2$ K = 1.5 m/s^2

Le niveau d'émission de vibrations a été mesuré conformément à un test standardisé indiqué dans EN 60745.

Il peut être utilisé pour comparer un outil à un autre et en tant qu'évaluation préliminaire de l'exposition à une vibration en cas d'utilisation de l'outil pour les applications mentionnées

- l'utilisation de l'outil pour des applications différentes ou avec des accessoires différents ou mal entretenus peut augmenter considérablement le niveau d'exposition
- les périodes pendant lesquelles l'outil est à l'arrêt ou en fonctionnement, mais sans exécuter sa tâche peuvent réduire considérablement le niveau d'exposition

protégez-vous contre les effets des vibrations en entretenant l'outil et ses accessoires, en maintenant vos mains au chaud et en organisant vos schémas de travail

Déclaration CE de Conformité

•Nous déclarons, sous notre seule responsabilité, que ce produit est conforme aux normes ou aux documents standardisés suivants : EN 60745-1: 2009 + A11: 2010; EN 60745-2-3: 2011 + A2: 2013 + A11: 2014 + A12: 2014 + A13: 2015, EN 61000, EN 55014, conformément aux règlements 2014/30/UE 2006/42/CE, 2011/65 /UE

•Fichier technique à l'adresse: LEE YEONG INDUSTRIAL CO., LTD., NO.2, KEJIA RD., DOULIU CITY, YUNLIN COUNTY 64057, TAIWAN

You-Chun, Liu
Opérations et Ingénierie

You chun Liu

Chih-Hao, Lai
Responsable Approbations

chih hao lai

LEE YEONG INDUSTRIAL CO., LTD.,
NO.2, KEJIA RD., DOULIU CITY, YUNLIN COUNTY 64057, TAIWAN 07.04.2014

LEE YEONG INDUSTRIAL CO., LTD.

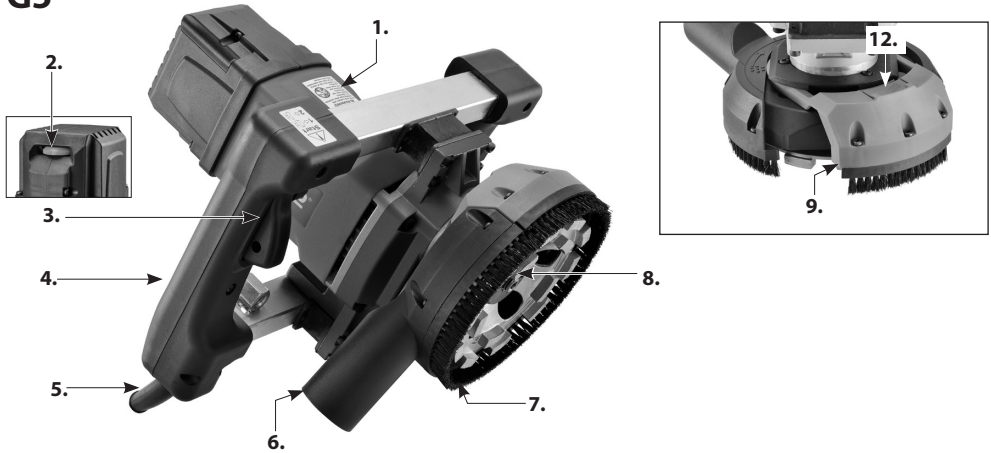
NO.2, KEJIA RD., DOULIU CITY,
YUNLIN COUNTY 64057, TAIWAN

TEL: 886-5-5518689 (REP)

Fax: 886-5-5518635

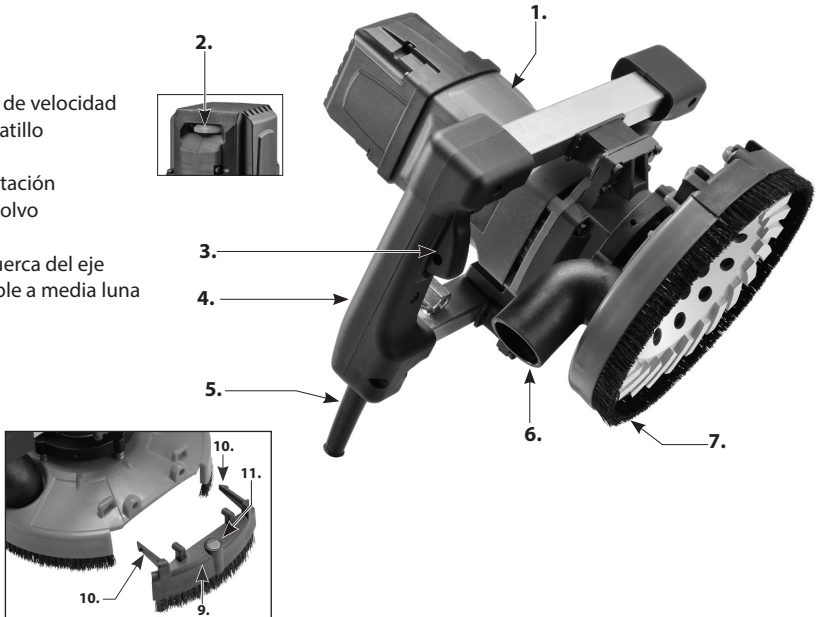
Modelo	G5	SM7
Entrada de alimentación	110-120 V:1700 W, 220-240 V:2200 W	
Voltaje	110-120 V~ 50-60 Hz, 220-240 V~ 50-60 Hz. (Véase la placa de identificación de la máquina)	
Velocidad sin carga/min ⁻¹	4500 ~ 9500	3200 ~ 6500
Diámetro de la muela	125 mm (5")	180 mm (7")
Husillo roscado	M14	M14
Eje	22,23 mm (7/8")	22,23 mm (7/8")
Dimensiones	246 mm x 280 mm x 325 mm	
Peso	5,75 kg (12,65 Lbs)	5,74 kg (12,62 Lbs)

G5



SM7

1. Motor
2. Rueda selectora de velocidad
3. Interruptor de gatillo
4. Empuñadura
5. Cable de alimentación
6. Conector para polvo
7. Faldón
8. Brida exterior, tuerca del eje
9. Conector extraíble a media luna
10. Enganches
11. Imán
12. Pestaña



Instrucciones generales de seguridad



¡ATENCIÓN! Lea íntegramente las instrucciones e indicaciones de seguridad. El incumplimiento de dichas instrucciones e indicaciones puede dar lugar a descargas eléctricas, incendios o lesiones graves.

Guardar todas las advertencias de peligro e instrucciones para futuras consultas.

El término herramienta eléctrica empleado en las siguientes advertencias de peligro se refiere a herramientas eléctricas de conexión a la red (con cable de red) y a herramientas eléctricas accionadas por acumulador (o sea, sin cable de red).

1. PUESTO DE TRABAJO

- a. **Mantenga limpio y bien iluminado su puesto de trabajo.** El desorden y una iluminación deficiente en las áreas de trabajo pueden provocar accidentes.
- b. **No utilice la herramienta eléctrica en un entorno con peligro de explosión, en el que se encuentren combustibles líquidos, gases o material en polvo.** Las herramientas eléctricas producen chispas que pueden llegar a inflamar los materiales en polvo o vapores.
- c. **Mantenga alejados a los niños y otras personas de su puesto de trabajo al emplear la herramienta eléctrica.** Una distracción le puede hacer perder el control sobre el aparato.
- d. **Vigile siempre la herramienta eléctrica mientras esté en funcionamiento.** Mantenga vigilada la herramienta eléctrica hasta que ésta pare por completo.

2. SEGURIDAD ELÉCTRICA

- a. **El enchufe del aparato debe corresponder a la toma de corriente utilizada. No es admisible modificar el enchufe en forma alguna. No emplear adaptadores en aparatos dotados con una toma de tierra.** Los enchufes sin modificar adecuados a las respectivas tomas de corriente reducen el riesgo de una descarga eléctrica.
- b. **Evite que su cuerpo toque partes conectadas a tierra como tuberías, radiadores, cocinas y refrigeradores.** El riesgo a quedar expuesto a una sacudida eléctrica es mayor si su cuerpo tiene contacto con tierra.
- c. **No exponga las herramientas eléctricas a la lluvia y evite que penetren líquidos en su interior.** Existe el peligro de recibir una descarga eléctrica si penetran ciertos líquidos en la herramienta eléctrica.
- d. **No utilice el cable de red para transportar o colgar el aparato, ni tire de él para sacar el enchufe de la toma de corriente. Mantenga el cable de red alejado del calor, aceite, esquinas cortantes o piezas móviles.** Los cables de red dañados o enredados pueden provocar una descarga eléctrica.
- e. **Al trabajar con la herramienta eléctrica en la intemperie utilice solamente cables de prolongación homologados para su uso en exteriores.** La utilización de un cable de prolongación adecuado para su uso en exteriores reduce el riesgo de una descarga eléctrica.
- f. **Si fuese imprescindible utilizar la herramienta eléctrica en un entorno húmedo, es necesario**

conectarla a través de un fusible diferencial. La aplicación de un fusible diferencial reduce el riesgo a exponerse a una descarga eléctrica.

3. SEGURIDAD DE PERSONAS

- a. **Esté atento a lo que hace y emplee la herramienta eléctrica con prudencia. No utilice la herramienta eléctrica si estuviese cansado, ni tampoco después de haber consumido alcohol, drogas o medicamentos.** El no estar atento durante el uso de una herramienta eléctrica puede provocarle serias lesiones.
- b. **Utilice un equipo de protección y en todo caso unas gafas de protección.** El riesgo a lesionarse se reduce considerablemente si, dependiendo del tipo y la aplicación de la herramienta eléctrica empleada, se utiliza un equipo de protección adecuado como una mascarilla antipolvo, zapatos de seguridad con suela antideslizante, casco, o protectores auditivos.
- c. **Evite una puesta en marcha fortuita del aparato. Cerciorarse de que el aparato esté desconectado antes conectarlo a la toma de corriente.** Si transporta el aparato sujetándolo por el interruptor de conexión/desconexión, o si introduce el enchufe en la toma de corriente con el aparato conectado, ello puede dar lugar a un accidente.
- d. **Retire las herramientas de ajuste o llaves fi jas antes de conectar la herramienta eléctrica.** Una herramienta o llave colocada en una pieza rotante puede producir lesiones al ponerse a funcionar.
- e. **Sea precavido. Trabaje sobre una base firme y mantenga el equilibrio en todo momento.** Ello le permitirá controlar mejor la herramienta eléctrica en caso de presentarse una situación inesperada.
- f. **Utilice ropa adecuada. No utilice ropa ancha ni objetos de joyería o bisutería. Mantenga el pelo y la ropa alejada de las piezas en movimiento.** La ropa suelta o el pelo largo pueden quedar atrapados por piezas en movimiento.
- g. **Siempre que sea posible utilizar unos equipos de aspiración o captación de polvo, asegúrese que éstos estén montados y que sean utilizados correctamente.** El empleo de estos equipos reduce los riesgos derivados del polvo.
- h. **No debe jamás confiarse por el uso frecuente de las máquinas e ignorar los principios de seguridad de la herramienta.** Un manejo imprudente puede ocasionar lesiones graves en fracciones de segundo.

4. TRATO Y USO CUIDADOSO DE HERRAMIENTAS ELÉCTRICAS

- a. **No sobrecargue el aparato. Use la herramienta prevista para el trabajo a realizar.** Con la herramienta adecuada podrá trabajar mejor y más seguro dentro del margen de potencia indicado.
- b. **No utilice herramientas con un interruptor defectuoso.** Las herramientas que no se puedan conectar o desconectar son peligrosas y deben hacerse reparar.
- c. **Saque el enchufe de la red antes de realizar un ajuste en el aparato, cambiar de accesorio o al guardar el aparato.** Esta medida preventiva reduce el riesgo a conectar accidentalmente el aparato.
- d. **Guarde las herramientas fuera del alcance de los niños y de las personas que no estén familiarizadas con su uso.** Las herramientas utilizadas por personas inexpertas son peligrosas.
- e. **Cuide sus aparatos con esmero. Controle si funcionan correctamente, sin atascarse, las partes**

móviles del aparato, y si existen partes rotas o deterioradas que pudieran afectar al funcionamiento de la herramienta. Si la herramienta eléctrica estuviese defectuosa haga repararla antes de volver a utilizarla. Muchos de los accidentes se deben a aparatos con un mantenimiento deficiente.


- f. **Mantenga los útiles limpios y afilados.** Los útiles mantenidos correctamente se dejan guiar y controlar mejor.
- g. **Utilice herramientas eléctricas, accesorios, útiles, etc. de acuerdo a estas instrucciones y en la manera indicada específicamente para este aparato. Considere en ello las condiciones de trabajo y la tarea a realizar.** El uso de herramientas eléctricas para trabajos diferentes de aquellos para los que han sido concebidas puede resultar peligroso.
- h. **Mantenga las empuñaduras secas, limpias y libres de aceite y grasa.** Las empuñaduras resbaladizas no permiten una manipulación y un control seguros de la herramienta eléctrica en situaciones inesperadas.

5. SERVICIO


- a. **Únicamente haga reparar su herramienta eléctrica por un profesional, empleando exclusivamente piezas de repuesto originales.** Solamente así se mantiene la seguridad de la herramienta eléctrica.
- b. **Utilice exclusivamente piezas originales para la reparación y el mantenimiento de su herramienta.** El uso de accesorios o piezas de recambio no previstos puede producir descargas eléctricas o lesiones.

Símbolos utilizados en el manual


V.....voltios
A.....amperios
Hz.....hercios
W.....vatios
~.....Corriente alterna
n.....Velocidad nominal
min-1.....Revoluciones o
rotaciones por minuto

Advertencia de peligro general


Herramienta clase II


 Leer estas instrucciones

Usar siempre protección ocular

Usar siempre máscara antipolvo

Usar siempre protección auditiva

Uso de casco de seguridad homologado

 No deseche las herramientas eléctricas, los accesorios ni el embalaje junto con los residuos domésticos

Instrucciones de seguridad para lijadoras de hormigón

Instrucciones de seguridad generales para trabajos de amolado

- **Esta herramienta eléctrica ha sido concebida para amolar. Observe todas las indicaciones de seguridad, instrucciones, ilustraciones y datos que se suministran con la herramienta eléctrica.** En caso de no atenerse a las instrucciones siguientes, ello puede provocar una electrocución, incendio y/o lesiones serias.
- **Esta herramienta eléctrica no es apropiada para lijar, pulir o tronzar, ni para trabajar con cepillos de alambre.** La utilización de la herramienta eléctrica en trabajos para los que no ha sido prevista puede provocar un accidente.
- **No emplee accesorios diferentes de aquellos que el fabricante haya previsto o recomendado especialmente para esta herramienta eléctrica.** El mero hecho de que sea acoplable un accesorio a su herramienta eléctrica no implica que su utilización resulte segura.
- **Las revoluciones admisibles del útil deberán ser como mínimo iguales a las revoluciones máximas indicadas en la herramienta eléctrica.** Aquellos accesorios que giren a unas revoluciones mayores a las admisibles pueden llegar a romperse y salir despedidos.
- **El diámetro exterior y el grosor del útil deberán corresponder con las medidas indicadas para su herramienta eléctrica.** Los útiles de dimensiones incorrectas no pueden protegerse ni controlarse con suficiente seguridad.
- **Los útiles de fijación a rosca deberán ajustar exactamente en la rosca del husillo. En los útiles de fijación por brida su diámetro de encaje deberá ser compatible con el de alojamiento en la brida.** Los útiles que no vayan fijados exactamente sobre la herramienta eléctrica giran descentrados, vibran mucho, y pueden hacerle perder el control sobre el aparato.
- **No use útiles dañados. Antes de cada uso inspeccione el estado de los útiles con el fin de detectar, p. ej., si están desportillados o fisurados los útiles de amolar, si está agrietado o muy desgastado el plato lijador, o si las púas de los cepillos de alambre están flojas o rotas. Si se le cae la herramienta eléctrica o el útil, inspeccione si han sufrido algún daño o monte otro útil en correctas condiciones. Una vez controlado y montado el útil sitúese Vd. y las personas circundantes fuera del plano de rotación del útil y deje funcionar la herramienta eléctrica en vacío, a las revoluciones máximas, durante un minuto.** Por lo regular, aquellos útiles que estén dañados suelen romperse al realizar esta comprobación.
- **Utilice un equipo de protección personal. Dependiendo del trabajo a realizar use una careta, una protección para los ojos, o unas gafas de protección. Si procede, emplee una mascarilla antipolvo, protectores auditivos, guantes de protección o un mandil especial adecuado para protegerle de los pequeños fragmentos que pudieran salir proyectados al desprenderse del útil o pieza.** Las gafas de protección deberán ser indicadas para protegerle de los fragmentos que pudieran salir despedidos al trabajar. La mascarilla antipolvo o respiratoria deberá ser apta para filtrar las partículas producidas al trabajar. La exposición prolongada al ruido puede provocar sordera.
- **Cuide que las personas en las inmediaciones se mantengan a suficiente distancia de la zona de trabajo. Toda persona que acceda a la zona de trabajo deberá utilizar un equipo de protección personal.** Podrían ser lesionadas, incluso fuera del área de trabajo inmediato, al salir proyectados fragmentos de la pieza de trabajo o del útil.
- **Únicamente sujete el aparato por las empuñaduras aisladas al realizar trabajos en los que el útil pueda tocar conductores eléctricos ocultos o el propio cable del aparato.** El contacto con conductores bajo tensión puede hacer que las partes metálicas del aparato le provoquen una descarga

eléctrica.

- **Mantenga el cable de red alejado del útil en funcionamiento.** En caso de que Vd. pierda el control sobre la herramienta eléctrica puede llegar a cortarse o enredarse el cable de red con el útil y lesionarle su mano o brazo.
- **Jamás deposite la herramienta eléctrica antes de que el útil se haya detenido por completo.** El útil en funcionamiento puede llegar a tocar la base de apoyo y hacerle perder el control sobre la herramienta eléctrica.
- **No deje funcionar la herramienta eléctrica mientras la transporta.** El útil en funcionamiento podría lesionarle al engancharse accidentalmente con su vestimenta.
- **Limpie periódicamente las rejillas de refrigeración de su herramienta eléctrica.** El ventilador del motor aspira polvo hacia el interior de la carcasa, por lo que, en caso de una acumulación fuerte de polvo metálico, ello puede provocarle una descarga eléctrica.
- **No utilice la herramienta eléctrica cerca de materiales combustibles.** Las chispas producidas al trabajar pueden llegar a incendiar estos materiales.
- **No emplee útiles que requieran ser refrigerados con líquidos.** La aplicación de agua u otros refrigerantes líquidos puede comportar una descarga eléctrica.

Causas del retroceso y advertencias al respecto

- El retroceso es una reacción brusca que se produce al atascarse o engancharse el útil, como un disco de amolar, plato lijador, cepillo, etc. Al atascarse o engancharse el útil en funcionamiento, éste es frenado bruscamente. Ello puede hacerle perder el control sobre la herramienta eléctrica y hacer que ésta salga impulsada en dirección opuesta al sentido de giro que tenía el útil. En el caso, p. ej., de que un disco amolador se atasque o bloquee en la pieza de trabajo, puede suceder que el canto del útil que penetra en el material se enganche, provocando la rotura del útil o el retroceso del aparato. Según el sentido de giro y la posición del útil en el momento de bloquearse puede que éste resulte despedido hacia, o en sentido opuesto al usuario. En estos casos puede suceder que el útil incluso llegue a romperse. El retroceso es ocasionado por la aplicación o manejo incorrecto de la herramienta eléctrica. Es posible evitarlo ateniéndose a las medidas preventivas que a continuación se detallan.
- **Sujete con firmeza la herramienta eléctrica y mantenga su cuerpo y brazos en una posición propicia para resistir las fuerzas de reacción. Si forma parte del aparato, utilice siempre la empuñadura adicional para poder soportar mejor las fuerzas de retroceso, además de los pares de reacción que se presentan en la puesta en marcha.** El usuario puede controlar las fuerzas de retroceso y de reacción si toma unas medidas preventivas oportunas.
- **Jamás aproxime su mano al útil en funcionamiento.** En caso de un retroceso, el útil podría lesionarle la mano.
- **No se sitúe dentro del área hacia el que se movería la herramienta eléctrica al retroceder bruscamente.** Al retroceder bruscamente, la herramienta eléctrica saldrá despedida desde el punto de bloqueo en dirección opuesta al sentido de giro del útil.
- **Tenga especial precaución al trabajar esquinas, cantos afilados, etc. Evite que el útil de amolar rebote contra la pieza de trabajo o que se atasque.** En las esquinas, cantos afilados, o al rebotar, el útil en funcionamiento tiende a atascarse. Ello puede hacerle perder el control o causar un retroceso del útil.
- **No utilice hojas de sierra para madera ni otros útiles dentados.** Estos útiles son propensos al retroceso y pueden hacerle perder el control sobre la herramienta eléctrica.

Instrucciones de seguridad específicas para trabajos de amolado

- **Use exclusivamente útiles homologados para su herramienta eléctrica, en combinación con la caperuza protectora prevista para estos útiles.** Los útiles que no fueron diseñados para su uso en esta herramienta eléctrica pueden quedar insuficientemente protegidos y suponen un riesgo.
- **Los discos de amolar con centro deprimido deberán montarse de manera que la cara de amolado no alcance a sobresalir del reborde de la caperuza de protección.** Un disco de amolar incorrectamente montado cuya cara frontal rebase el reborde de la caperuza de protección no puede ser convenientemente protegido.
- **La caperuza protectora deberá montarse firmemente en la herramienta eléctrica y orientarse de modo que ofrezca una seguridad máxima cubriendo para ello lo máximo posible la parte del útil a la que queda expuesta el usuario.** La misión de la caperuza protectora es proteger al usuario de los fragmentos que puedan desprenderse del útil, del contacto accidental con éste, y de las chispas que pudieran incendiar su ropa.
- **Solamente emplee el útil para aquellos trabajos para los que fue concebido. Por ejemplo, no emplee las caras de los discos tronzaadores para amolar.** En los útiles de tronzar, el arranque de material se lleva a cabo con los bordes del disco. Si estos útiles son sometidos a un esfuerzo lateral, ello puede provocar su rotura.
- **Siempre use para el útil seleccionado una brida en perfecto estado con las dimensiones y forma correctas.** Una brida adecuada soporta convenientemente el útil reduciendo así el peligro de rotura. Las bridas para discos tronzaadores pueden ser diferentes de aquellas para otros discos de amolar.
- **No intente aprovechar los discos amoladores de otras herramientas eléctricas más grandes, aunque su diámetro exterior se haya reducido suficientemente por el desgaste.** Los discos amoladores destinados para herramientas eléctricas grandes no son aptos para soportar las velocidades periféricas más altas a las que trabajan las herramientas eléctricas más pequeñas, y pueden llegar a romperse.

CONEXIÓN ELÉCTRICA

La tensión de red debe corresponderse con el voltaje indicado en la placa de identificación de la herramienta. En ningún caso utilice la herramienta cuando el cable de alimentación esté dañado. El cable dañado debe ser reemplazado de forma inmediata por un centro autorizado de servicios de atención al cliente. No intente reparar el cable dañado por su cuenta. El uso de cables de alimentación dañados puede provocar descargas eléctricas.

AVERTENCIA: nunca utilice una máquina dañada. Señalice la máquina dañada e indique que está fuera de servicio hasta que se repare.

SÍMBOLOS DE SEGURIDAD

ATENCIÓN: indica una situación peligrosa posible, la cual, si no se evita, podría causar lesiones menores o leves. También se emplea para alertar sobre prácticas no seguras que pueden causar daños materiales.

PELIGRO: indica una situación peligrosa inminente, la cual, si no se evita, causará la muerte o lesiones graves.

AVERTENCIA: indica una situación potencialmente peligrosa que, si no se evita, ocasionará lesiones graves o la muerte.

ANTES DE USAR ESTA HERRAMIENTA

AVERTENCIA: algunos polvos generados al efectuarse operaciones de lijado, aserrado, amolado, taladrado y otras actividades de la construcción, contienen sustancias químicas reconocidas como causantes de cáncer, defectos congénitos y otras afecciones del aparato reproductor. Algunos ejemplos de estas sustancias químicas son:

- Plomo de las pinturas a base de plomo
- Sílice cristalino de los ladrillos, del cemento y de otros productos de albañilería
- Arsénico y cromo de la madera tratada
- químicamente.

El riesgo de la exposición a estos compuestos varía, según la frecuencia con que se realice este tipo de trabajo. Para reducir la exposición personal, trabaje en áreas bien ventiladas y con equipo de seguridad homologado, como máscaras antipolvo especialmente diseñadas para filtrar partículas microscópicas.

AVERTENCIA: para reducir el riesgo de cometer errores que puedan causar lesiones graves o permanentes, no conecte la máquina hasta que se hayan completado los siguientes pasos.

- Comprenda la función y el uso del interruptor de ENCENDIDO-APAGADO.
- Revise y comprenda todas las instrucciones
- de seguridad y los procedimientos de funcionamiento de este manual.
- Revise los métodos de mantenimiento para esta herramienta.

REDUCIR EL RIESGO DE UN ENTORNO PELIGROSO

- Utilice la máquina en un lugar interior y seco, protegido de la lluvia.
- Disponga la máquina de tal manera que ni el operador ni las personas que pasen cerca de ella tengan que estar en línea con la máquina. Los residuos proyectados pueden causar lesiones a aquellas personas que estén en su trayectoria.

EXAMINE SU MÁQUINA ANTES DE CADA USO

- Desconecte la máquina abrasiva de su fuente de alimentación antes de realizar cualquier ajuste, para reducir el riesgo de lesiones debido a una puesta en marcha accidental.
- Verifique que las piezas móviles están correctamente alineadas.
- Examine la máquina en busca de cables dañados.
- Compruebe la unión de las piezas móviles.
- Examine la máquina en busca de piezas rotas.
- Asegúrese de que la pieza de trabajo está estable.
- Examine la máquina en busca de irregularidades que puedan afectar al funcionamiento de la misma.

Mantenimiento y cuidado de las herramientas Mantenga limpia la máquina para un rendimiento más seguro y eficaz. Siga las instrucciones de lubricación.

REDUCIR EL RIESGO DE LESIONES POR OBSTRUCCIÓN, DESLIZAMIENTO O PROYECCIÓN DE PIEZAS

- Para reducir el riesgo de quemaduras o lesiones causadas por fuego, nunca utilice la máquina cerca de líquidos, vapores o gases inflamables.
- Asegúrese de que todas las abrazaderas están apretadas y que no tienen una holgura excesiva en alguna de sus partes.
- Mantenga limpia la zona de trabajo. Los bancos y las zonas de trabajo desordenados pueden provocar accidentes. El suelo no debe estar resbaladizo.

Conozca su máquina Lea y comprenda en su totalidad el manual del operador y las etiquetas adheridas a la herramienta. Conozca sus aplicaciones y limitaciones, así como los posibles peligros específicos de esta herramienta. Para reducir el riesgo de lesiones causadas por un contacto accidental con las piezas móviles, no realice trabajos de montaje, de instalación o de esbozo encima en la máquina mientras cualquiera de sus piezas está en movimiento.

SIEMPRE QUE LA MÁQUINA ESTÉ EN FUNCIONAMIENTO

AVERTENCIA: No permita que el sentirse familiarizado con la máquina, debido a su uso frecuente, derive en un error por descuido. Un descuido de una fracción de segundo es suficiente para provocar una lesión grave.

Si la máquina hace ruidos inusuales o vibra demasiado, PÁRELA DE FORMA INMEDIATA. APAGUE la máquina y desconéctela. No la reinicie hasta haber encontrado y corregido el problema.

Asegúrese de que las personas que pasen cerca de la máquina, los niños y los visitantes se mantienen alejados de la herramienta y de la pieza de trabajo.

ANTES DE RETIRAR EL MATERIAL OBSTRUIDO

- APAGUE la máquina liberando el interruptor de gatillo.
- Espere a que todas las partes en movimiento se paren y desconéctela.

NUNCA DEJE UNA MÁQUINA EN FUNCIONAMIENTO SIN VIGILANCIA

- APAGUE la alimentación.
- Espere a que todas las partes en movimiento se paren y desconecte la máquina.

AVERTENCIA: El funcionamiento de cualquier herramienta eléctrica puede causar la proyección de objetos que no forman parte de la máquina hacia sus ojos, y provocar lesiones oculares graves. Antes de comenzar a trabajar con la máquina, use siempre gafas de seguridad con pantallas laterales y un

protector facial completo cuando sea necesario. Recomendamos el uso de una máscara de visión amplia por encima de las gafas de seguridad o gafas de seguridad con pantallas laterales.

HAGA DEL TALLER UN LUGAR SEGURO PARA LOS NIÑOS

Cierre el taller con llave.

Desconecte los interruptores principales.

Almacene las herramienta lejos de los niños y de toda persona no cualificada para el uso de la máquina.

Busque este símbolo para señalar las precauciones de seguridad importantes. Significa ¡¡¡ATENCIÓN!!! Está en juego su seguridad.

REQUISITOS ELÉCTRICOS Y DEL MOTOR

AVERTENCIA: para reducir el riesgo de peligro eléctrico o de incendio, así como para evitar lesiones con la herramienta, utilice un circuito de protección adecuado. para reducir el riesgo de descarga eléctrica o de incendio, reemplace inmediatamente el cable de alimentación si está desgastado, roto o dañado.

AVERTENCIA: no toque con los dedos los bornes de las clavijas cuando vaya a instalar o retirar la clavija de la toma de corriente, a fin de evitar lesiones o posiblemente la muerte debido a una descarga eléctrica.

PROTECCIÓN DE SEGURIDAD DEL MOTOR

IMPORTANTE: para evitar daños, sople o aspire el motor de forma frecuente con el fin de que el polvo no interfiera en la ventilación normal del motor.

1. Conecte esta herramienta a una fuente de alimentación con el voltaje adecuado para su modelo.
2. Si el motor no arrancase, disponga el interruptor en la posición "OFF" o de apagado inmediatamente y desconecte la máquina.
3. Si el motor se detiene de repente mientras está fresando, presione el interruptor de gatillo y desconecte la herramienta. Después ya puede reiniciarlo.
4. Deben soplarse los fusibles, de lo contrario, los conmutadores de potencia se activarán con frecuencia por los siguientes motivos:
 - a. **El motor está sobrecargado** - la máquina se puede sobrecargar si realiza demasiadas paradas/ puestas en marcha en un periodo corto de tiempo.
 - b. La tensión de línea no debe superar ni estar por debajo del voltaje del 10 % indicado en la placa de identificación. Sin embargo, para cargas pesadas, el voltaje de los terminales del motor debe ser igual al voltaje especificado para su modelo de máquina. Debido al uso de una cabezal de muela inadecuado o desafilado.
5. La mayoría de los problemas del motor pueden asociarse con conexiones holgadas o incorrectas, con sobrecarga o bajo voltaje (como un cable de pequeño tamaño en el circuito de alimentación), o con un cable de circuito de alimentación demasiado largo. Examine las conexiones y el circuito de alimentación y de carga siempre que el motor no funcione correctamente. Compruebe el tamaño y la longitud de los cables con la tabla de tamaño de los cables.

DESEMPAQUETADO

AVERTENCIA: para reducir el riesgo de lesiones causadas por descarga eléctrica o por una puesta en marcha accidental, no conecte el cable de alimentación a una toma de corriente durante el proceso de desempaqueado y montaje. El cable debe permanecer desconectado siempre que realice trabajos en la herramienta. Su máquina se envía totalmente embalada en una caja.

Saque la herramienta y las piezas sueltas de la caja. Coloque todas las piezas en una superficie de trabajo segura y fija e inspeccione la máquina minuciosamente.

LISTA DE PIEZAS

Lista de contenidos

Ensamblaje básico.....	1
Manual del operador.....	1
Empuñadura lateral.....	1
Llave de tuerca.....	1
Llave de gancho.....	1
L-H Llave de cruceta.....	1
Bridas.....	2

ACCESORIOS RECOMENDADOS

Esta máquina solo debe usarse con muelas de copa diamantadas de 125 mm de diámetro para G5 y de 180 mm para SM7, con un vástago de 22,23mm (7/8") de diámetro o con una rosca hembra M14. Se prohíbe el uso de otro tipo de medidas y accesorios.

No se permite el uso de accesorios abrasivos de fijación con esta máquina.

FUNCIONAMIENTO BÁSICO

NOTA: asegúrese de que el voltaje del circuito de alimentación es el mismo que el indicado en la placa de identificación de la máquina, y que su interruptor está en modo "OFF" antes de conectar la herramienta al circuito de alimentación.

INTERRUPTOR

La máquina dispone de un interruptor de gatillo que se puede bloquear. Presione el gatillo para arrancar la máquina. Para bloquear el botón de encendido, presione el interruptor de bloqueo mientras mantiene el interruptor de gatillo encendido. Para desbloquear, presione el gatillo y desbloquee.



ATENCIÓN: después de que se haya desconectado la máquina, el husillo continuará rotando. Tenga cuidado y evite que las partes del cuerpo entren en contacto con las piezas en rotación de la máquina, no deje la herramienta boca abajo mientras todavía continúa rotando.

CÓMO USAR LA HERRAMIENTA

Para controlar la máquina de forma eficaz utilice **las dos manos** para obtener una protección y resistencia máximas para hacer frente a la torsión que se genera en el puesta en marcha y durante su funcionamiento. Colóquela de forma correcta en la zona de trabajo y sostenga la máquina firmemente **CON AMBAS MANOS** para evitar perder el control sobre ella, lo que podría causar lesiones personales. Proteja sus ojos de lesiones con gafas de seguridad.

SOBRECARGA

La máquina está equipada con protección de sobrecarga, que apagará el motor si se supera la corriente máxima permitida. Si se activa la sobrecarga, retire la herramienta de la superficie de trabajo, libere el interruptor y después enciéndala de nuevo. Entonces, se reiniciará la máquina.

ATENCIÓN: siempre que la máquina se sobrecargue, funcione siempre con ella sin carga durante unos minutos para volver a una temperatura normal antes de continuar con el trabajo.

ESTABILIZADOR DE VELOCIDAD

La máquina está equipada con un sistema de estabilización de velocidad electrónico que mantiene una velocidad constante cuando se trabaja con carga.

FUNCIÓN DE VELOCIDAD VARIABLE

La velocidad del motor puede variar en función de las necesidades para los diferentes tipos de trabajo. Gire la rueda selectora de velocidad hacia la derecha para aumentar la velocidad y hacia la izquierda para disminuirla.



CONECTOR DE ASPIRACIÓN

AVERTENCIA: el polvo que se genera durante el trabajo con la máquina puede ser perjudicial para la salud.

Esta máquina está diseñada específicamente para amolado en seco de hormigón y materiales similares. Si emplea muelas de copa diamantadas para uso en seco, debe utilizar también una aspiradora adecuada. Nunca deje que el polvo generado salga directamente a la atmósfera.

Para acoplar la manguera de aspiración al conector para polvo, sujete la máquina firmemente con una mano. Después, introduzca la manguera de aspiración con un movimiento giratorio en el conector para polvo.

PROTECTOR DE SEGURIDAD

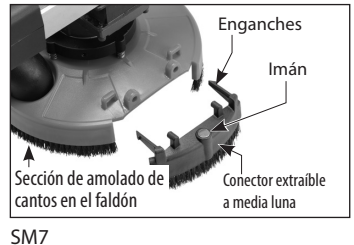
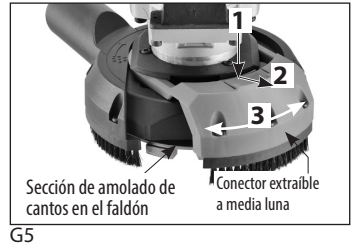
Debe usar en todo momento el protector de seguridad (faldón) cuando trabaje con esta máquina. No es ajustable. El conector extraíble a media luna se puede retirar de forma temporal para dejar expuesta la sección de amolado de cantos. Ver a continuación

SECCIÓN DE AMOLADO DE CANTOS

Cuando trabaje sobre una pared o en una esquina, el faldón evitará que el cabezal de la muela llegue hasta el canto. En el modelo G5, pulse la lengüeta, deslice la compuerta de media luna hacia fuera para desbloquearla y, a continuación, gírela a un lado hasta que encaje.

NOTA: Mantenga el mecanismo limpio. Las acumulaciones de polvo pueden hacer que resulte difícil abrirlo.

En el modelo SM7, se puede retirar el conector extraíble a media luna presionando hacia dentro los dos enganches. Esta acción dejará expuesta la sección de amolado de cantos del faldón. El conector extraíble a media luna se puede unir de forma temporal a la barra transversal de la empuñadura usando su imán. Esta acción permitirá que el cabezal de la muela llegue hasta el canto. Con el cabezal extraíble quitado, la recolección de polvo no será la ideal, por lo tanto, ponga de nuevo el cabezal extraíble cuando el acceso a la sección de amolado de cantos ya no sea necesario.



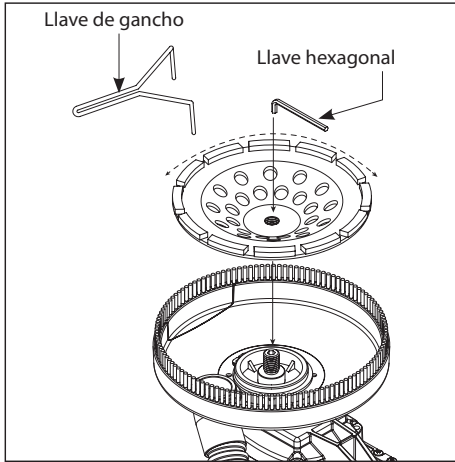
INTERCAMBIO DE ACCESORIOS – Retirar y reemplazar muelas de copa diamantadas

ATENCIÓN: antes de trabajar con la máquina o de realizar algún ajuste en ella, apáguela y desconéctela de la toma de corriente.

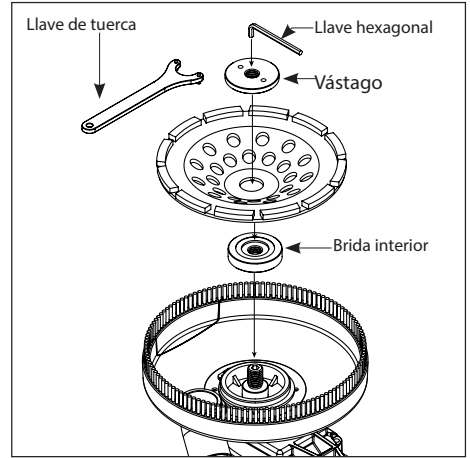
ATENCIÓN: la muela puede alcanzar altas temperaturas durante el proceso de trabajo. Antes de reemplazarla, deje que la muela se enfríe.

1. Deje la máquina en una zona de trabajo nivelada y resistente.
2. Si utiliza una muela de copa diamantada con una rosca hembra M14, no emplee bridas. Simplemente enrosque la muela en el husillo. Use la llave hexagonal para evitar el husillo se gire y apriete la muela con una llave de gancho.
3. Si emplea una muela de copa diamantada con vástago, primero monte la brida interior en el husillo. Fije la muela en el perno de la brida interior, después enrósquela en la tuerca del eje. Use la llave hexagonal para evitar el husillo se gire y apriete la tuerca del eje con una llave de tuerca.
4. El proceso de reemplazar piezas se realiza a la inversa.

INSTALAR MUELAS DE COPA DIAMANTADAS CON ROSCA HEMBRA M14.



INSTALAR MUELAS DE COPA DIAMANTADAS CON VÁSTAGO



ALMACENAMIENTO

ATENCIÓN: no almacene la máquina de modo que se apoye sobre las cerdas, sino del lado contrario.

ATENCIÓN: no almacene la máquina con su cable de alimentación doblado, podría causar daños en el cable.

SUSTITUIR LAS ESCOBILLAS DEL FALDÓN GUARDAPOLVO

En el modelo G5, es posible sustituir las escobillas del faldón guardapolvo cuando se desgastan. Retire los tres tornillos a fin de sustituir la escobilla pequeña de la compuerta de media luna y retire los seis tornillos para sustituir la escobilla grande de la protección frente a polvo

REEMPLAZAR ESCOBILLAS DE CARBÓN

Las escobillas de carbón son unas piezas que suelen desgastarse y deben reemplazarse cuando alcancen su límite de desgaste.

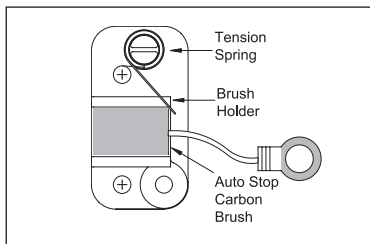
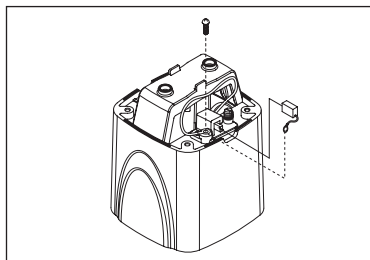
ATENCIÓN: reemplazar siempre las escobillas por pares.

Para reemplazar:

Retire los 4 tornillos y quite la cubierta trasera del motor. Con unos alicates gire el muelle de la escobilla hacia afuera y saque la escobilla usada de su soporte. Desenrosque el tornillo para quitar el cable de la escobilla. La escobilla de carbón usada ya puede retirarse por completo.

Instale la nueva escobilla realizando el proceso a la inversa. Ponga la cubierta trasera del motor.

NOTA: Para instalar las mismas escobillas, primero asegúrese de que se encuentran en las mismas condiciones que cuando las retiró. De lo contrario, sufrirán un periodo de rodaje que hará que el rendimiento del motor sea inferior y se incremente el desgaste de la escobilla. Es recomendable que, al menos una vez al año, lleve la máquina a un centro de servicios autorizado para una limpieza y lubricación a fondo.



MANTENIMIENTO

AVERTENCIA: para reducir el riesgo de lesiones causadas por descarga eléctrica o por una puesta en marcha accidental, desconecte el cable de alimentación antes de trabajar con la máquina.

Mantenga la herramienta limpia. Elimine el polvo acumulado de las piezas de trabajo. Asegúrese de que la máquina funciona adecuadamente. Examine de forma periódica los tornillos y pernos para comprobar que están apretados.

MANTENER LA MÁQUINA LIMPIA

Mantenga limpia la máquina y la rejilla de entrada de aire en todo momento para asegurarse de que el trabajo se realiza de forma segura y correcta. En condiciones de uso extremas que conlleven trabajar con metal, el polvo puede introducirse en el interior de la máquina, y esto puede repercutir de forma negativa en el protector aislante de la herramienta. En esos casos, debe soplar la máquina regularmente a través de la rejilla de entrada de aire. Se recomienda el uso de un accesorio para polvo.

AVERTENCIA: con el fin de garantizar la seguridad y la fiabilidad, todas las reparaciones, a excepción de los cepillos extraíbles externos, deben llevarse a cabo por parte de un centro de servicios autorizado.

AVERTENCIA: si es necesario reemplazar el cable de alimentación, esta operación debe realizarla el fabricante o el representante del fabricante a fin de evitar riesgos para la seguridad.

¡No deseche las herramientas eléctricas junto con los residuos domésticos! De acuerdo con la directiva europea 2002/96/CE para residuos de aparatos eléctricos y electrónicos y la transposición a la legislación nacional, las herramientas eléctricas usadas deben recopilarse por separado y reciclarse de una manera respetuosa con el medio ambiente.

Información sobre ruido/vibración

Medición de acuerdo con la norma EN 60745-2-3.

Modelo n.º : G5, SM7

Nivel de ruido: Nivel de presión acústica(L_{pA}): 90,0 dB (A)
Nivel de potencia acústica(L_{WA}): 101,0 dB (A) $K = 3,0$ dB (A)

Nivel de vibración: $a_h = 7,5$ m/s² $K = 1,5$ m/s²

El nivel de emisión de vibración se ha medido según una prueba estandarizada de acuerdo con la norma EN 60745. Se ha empleado para comparar una herramienta con otra, y como evaluación preliminar de exposición a la vibración al usar la herramienta para las aplicaciones mencionadas.

- El uso de la herramienta para diferentes aplicaciones, con otros accesorios o con accesorios en mal estado puede incrementar notablemente la exposición al ruido.
- El tiempo en el que la herramienta está desconectada o cuando está en funcionamiento pero sin realizar el trabajo puede reducir de forma significativa el nivel de exposición.

Protéjase contra los efectos vibratorios conservando en buen estado la herramienta, manteniendo sus manos calientes y organizando sus patrones de trabajo.

Declaración de conformidad CE

• Declaramos bajo nuestra única responsabilidad que este producto se encuentra en conformidad con las siguientes normas o documentos estandarizados: EN 60745-1: 2009 + A11: 2010; EN 60745-2-3: 2011 + A2: 2013 + A11: 2014 + A12: 2014 + A13: 2015, EN 61000, EN 55014 de acuerdo con las regulaciones 2014/30/EU, 2006/42/EC, 2011/65/EU.

• Documentación técnica en: LEE YEONG INDUSTRIAL CO., LTD., N.º 2, KEJIA RD., DOULIU CITY, CONDADO DE YUNLIN 64057, TAIWAN

You-Chun, Liu
Operaciones e ingeniería

You chun Liu

Chih-Hao, Lai
Responsable de
aprobaciones

chih hao lai

LEE YEONG INDUSTRIAL CO., LTD.,
NO.2, KEJIA RD., DOULIU CITY, YUNLIN COUNTY 64057, TAIWAN 07.04.2014

LEE YEONG INDUSTRIAL CO., LTD.

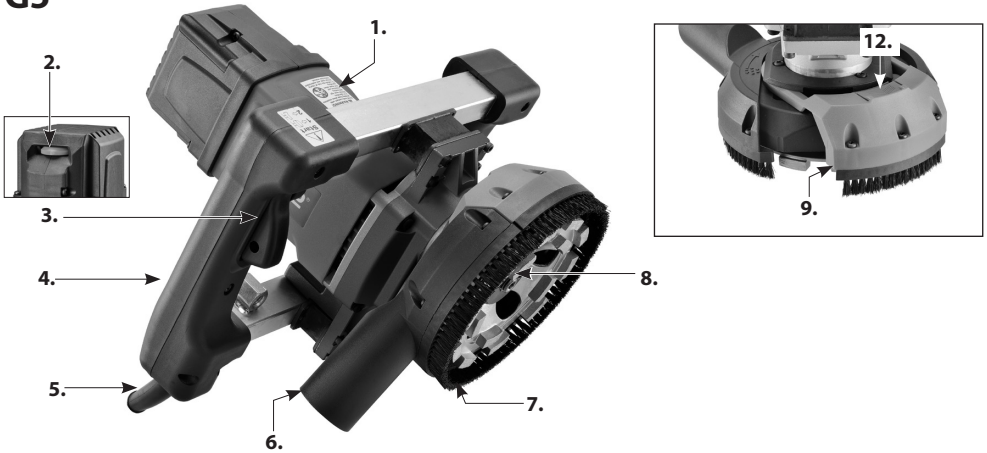
NO.2, KEJIA RD., DOULIU CITY,
YUNLIN COUNTY 64057, TAIWAN

TEL: 886-5-5518689 (REP)

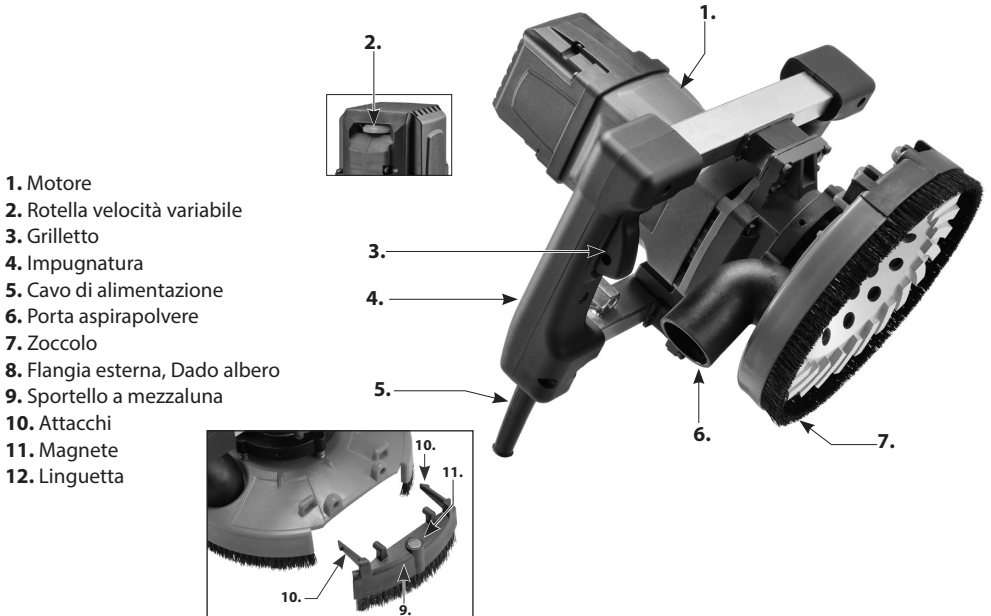
Fax: 886-5-5518635

Modello	G5	SM7
Potenza assorbita	110-120V:1700W, 220-240V:2200W	
Tensione	110-120V~ 50-60Hz, 220-240V~ 50-60Hz (Vedi targhetta sistema)	
A vuoto/min ⁻¹	4500 ~ 9500	3200 - 6500
Diametro mola	125mm (5")	180mm (7")
Filettatura mandrino	M14	M14
Albero	22,23mm (7/8")	22,23mm (7/8")
Dimensioni	246mm x 280mm x 325mm	
Peso	5,75kg(12,65lb)	5,74kg (12,62lb)

G5



SM7



- 1. Motore
- 2. Rotella velocità variabile
- 3. Grilletto
- 4. Impugnatura
- 5. Cavo di alimentazione
- 6. Porta aspirapolvere
- 7. Zoccolo
- 8. Flangia esterna, Dado albero
- 9. Sportello a mezzaluna
- 10. Attacchi
- 11. Magnete
- 12. Linguetta

ISTRUZIONI GENERALI DI SICUREZZA



ATTENZIONE! È assolutamente necessario leggere attentamente tutte le avvertenze di sicurezza e le istruzioni. Eventuali errori nell'adempimento delle avvertenze e delle istruzioni qui di seguito riportate potranno causare scosse elettriche, incendi e/o lesioni gravi.

Conservare tutte le avvertenze di pericolo e le istruzioni operative per ogni esigenza futura.

Il termine «elettrodomestico» utilizzato nelle avvertenze di pericolo si riferisce ad utensili elettrici alimentati dalla rete (con linea di allacciamento) ed ad utensili elettrici alimentati a batteria (senza linea di allacciamento).

1. POSTO DI LAVORO

- a. **Mantenere pulito ed ordinato il posto di lavoro.** Il disordine e le zone di lavoro non illuminate possono essere fonte di incidenti.
- b. **Evitare d'impiegare l'utensile in ambienti soggetti al rischio di esplosioni nei quali si trovino liquidi, gas o polveri infiammabili.** Gli utensili elettrici producono scintille che possono far infiammare la polvere o i gas.
- c. **Mantenere lontani i bambini ed altre persone durante l'impiego dell'utensile elettrico.** Eventuali distrazioni potranno comportare la perdita del controllo sull'utensile
- d. **Non lasciare incustodito l'elettrodomestico.** Lasciare l'area soltanto quando l'elettrodomestico si è completamente arrestato.

2. SICUREZZA ELETTRICA

- a. **La spina per la presa di corrente dovrà essere adatta alla presa. Evitare assolutamente di apportare modifiche alla spina. Non impiegare spine adattatrici assieme ad utensili con collegamento a terra.** Le spine non modificate e le prese adatte allo scopo riducono il rischio di scosse elettriche.
- b. **Evitare il contatto fisico con superfici collegate a terra, come tubi, riscaldamenti, cucine elettriche e frigoriferi.** Sussiste un maggior rischio di scosse elettriche nel momento in cui il corpo è messo a massa.
- c. **Custodire l'utensile al riparo dalla pioggia o dall'umidità.** L'eventuale infiltrazione di acqua in un utensile elettrico va ad aumentare il rischio d'insorgenza di scosse elettriche.
- d. **Non usare il cavo per scopi diversi da quelli previsti al fine di trasportare o appendere l'apparecchio, oppure di togliere la spina dalla presa di corrente. Mantenere l'utensile al riparo da fonti di calore, dall'olio, dagli spigoli o da parti di strumenti in movimento.** I cavi danneggiati o aggrovigliati aumentano il rischio d'insorgenza di scosse elettriche.
- e. **Qualora si voglia usare l'utensile all'aperto, impiegare solo ed esclusivamente cavi di prolunga omologati per l'impiego all'esterno.** L'uso di un cavo di prolunga omologato per l'impiego all'esterno riduce il rischio d'insorgenza di scosse elettriche.
- f. **Qualora non fosse possibile evitare di utilizzare l'elettrodomestico in ambiente umido, utilizzare un interruttore di sicurezza.** L'uso di un interruttore di sicurezza riduce il rischio di una scossa elettrica.

3. SICUREZZA DELLE PERSONE

- a. **È importante concentrarsi su ciò che si sta facendo e a maneggiare con giudizio l'utensile elettrico durante le operazioni di lavoro. Non utilizzare l'utensile in caso di stanchezza o sotto l'effetto di droghe, bevande alcoliche e medicinali.** Un attimo di distrazione durante l'uso dell'utensile potrà causare lesioni gravi.
- b. **Indossare sempre equipaggiamento protettivo individuale, nonché guanti protettivi.** Se si avrà cura d'indossare equipaggiamento protettivo individuale come la maschera antipolvere, la calzatura antidrucciolevole di sicurezza, il casco protettivo o la protezione dell'udito, a seconda dell'impiego previsto per l'utensile elettrico, si potrà ridurre il rischio di ferite.
- c. **Evitare l'accensione involontaria dell'utensile. Assicurarsi che il tasto si trovi in posizione di "SPENTO", prima d'inserire la spina nella presa di corrente.** Il fatto di tenere il dito sopra all'interruttore o di collegare l'utensile acceso all'alimentazione di corrente potrà essere causa di incidenti.
- d. **Togliere gli attrezzi di regolazione o la chiave inglese prima di accendere l'utensile.** Un utensile o una chiave inglese che si trovino in una parte di strumento in rotazione potranno causare lesioni.
- e. **È importante non sopravvalutarsi. Avere cura di mettersi in posizione sicura e di mantenere l'equilibrio.** In tale maniera sarà possibile controllare meglio l'apparecchio in situazioni inaspettate.
- f. **f) Indossare indumenti adeguati. Non indossare indumenti ampi né gioielli. Tenere i capelli e gli indumenti lontano dalle parti in movimento.** Indumenti ampi, gioielli o capelli lunghi possono restare impigliati nelle parti della macchina in movimento.
- g. **Se sussiste la possibilità di montare dispositivi di aspirazione o di captazione della polvere, assicurarsi che gli stessi siano stati installati correttamente e vengano utilizzati senza errori.** L'impiego dei suddetti dispositivi diminuisce il pericolo rappresentato dalla polvere.
- h. **Non lasciatevi prendere da un'eccessiva confidenza con le macchine spesso dovuta alla frequenza di utilizzo delle stesse, che possa portare a trascurare importanti principi di sicurezza per l'uso dell'utensile.** Un'azione imprudente può provocare gravi lesioni in pochi secondi.

4 MANEGGIO ED IMPIEGO ACCURATO DI UTENSILI ELETTRICI.

- a. **Non sovraccaricare l'utensile. Impiegare l'utensile elettrico adatto per sbrigare il lavoro.** Utilizzando l'utensile elettrico adatto si potrà lavorare meglio e con maggior sicurezza nell'ambito della gamma di potenza indicata.
- b. **Non utilizzare utensili elettrici con interruttori difettosi.** Un utensile elettrico che non si può più accendere o spegnere è pericoloso e dovrà essere riparato.
- c. **Togliere la spina dalla presa di corrente prima di regolare l'apparecchio, di sostituire pezzi di ricambio o di mettere da parte l'apparecchio.** Tale precauzione eviterà che l'apparecchio possa essere messo in funzione inavvertitamente.
- d. **Custodire gli utensili elettrici non utilizzati al di fuori della portata dei bambini. Non fare usare l'apparecchio a persone che non sono abituate ad usarlo o che non abbiano letto le presenti istruzioni.** Gli utensili elettrici sono pericolosi se utilizzati da persone inesperte.
- e. **Effettuare accuratamente la manutenzione dell'apparecchio. Verifi care che le parti mobili dello**

strumento funzionino perfettamente e non s'inceppino, che non ci siano pezzi rotti o danneggiati al punto tale da limitare la funzione dell'apparecchio stesso. Far riparare le parti danneggiate prima d'impiegare l'apparecchio. Numerosi incidenti vengono causati da utensili elettrici la cui manutenzione è stata effettuata poco accuratamente.

- f. Mantenere affi lati e puliti gli utensili da taglio.** Gli utensili da taglio curati con particolare attenzione e con taglienti affi lati s'inceppano meno frequentemente e sono più facili da condurre.
- g. Utilizzare utensili elettrici, accessori, attrezzi, ecc. in conformità con le presenti istruzioni e secondo quanto previsto per questo tipo specifici co di apparecchio. Osservare le condizioni di lavoro ed il lavoro da eseguirsi durante l'impiego.** L'impiego di utensili elettrici per usi diversi da quelli consentiti potrà dar luogo a situazioni di pericolo.
- h. Tenere le impugnature asciutte, pulite e prive di olio e grasso.** Impugnature scivolose non consentono manovrabilità né controllo sicuri dell'elettrotensile in caso di situazioni inaspettate.

5. ASSISTENZA

- a. Fare riparare l'apparecchio solo ed esclusivamente da personale specializzato e solo impiegando pezzi di ricambio originali.** In tale maniera potrà essere salvaguardata la sicurezza dell'apparecchio.
- b. Per gli interventi di riparazione e manutenzione, utilizzare soltanto parti originali.** L'utilizzo di accessori o ricambi non idonei può causare scosse elettriche o lesioni.

Indicazioni di sicurezza per levigatrici per calcestruzzo

Simboli utilizzati nel manuale

V.....volt

A.....ampere


Hz.....hertz

W.....watt


~.....corrente alternata

nvelocità nominale


min⁻¹.....giri od oscillazioni al minuto


vertenza di pericolo generico


Utensile classe II


leggere queste istruzioni

indossare sempre protezioni per gli occhi

indossare sempre una maschera antipolvere.

indossare sempre protezioni per l'udito

indossare un elmetto omologato

 non smaltire gli utensili elettrici, gli accessori e gli imballaggi insieme ai rifiuti domestici

Istruzioni generali di sicurezza per smerigliare

- **Questo elettroutensile è previsto per essere utilizzato come levigatrice. Attenersi a tutte le avvertenze di pericolo, istruzioni, illustrazioni e dati che vengono forniti insieme all'elettroutensile.**
In caso di mancata osservanza delle seguenti istruzioni vi è pericolo di provocare una scossa elettrica, di sviluppare incendi e/o lesioni gravi.
- **Questo elettroutensile non è adatto per levigatura con carta a vetro, lavori con spazzole metalliche, operazioni di lucidatura e troncatura.** Utilizzando l'elettroutensile per applicazioni non esplicitamente previste per lo stesso, possono verificarsi situazioni pericolose e lesioni.
- **Non utilizzare nessun accessorio che la casa costruttrice non abbia esplicitamente previsto e raccomandato per questo elettroutensile.** Il semplice fatto che un accessorio possa essere fissato al Vostro elettroutensile non è una garanzia per un impiego sicuro.
- **Il numero di giri ammesso dell'accessorio impiegato deve essere almeno tanto alto quanto il numero massimo di giri riportato sull'elettroutensile.** Un accessorio che gira più rapidamente di quanto consentito può rompersi in vari pezzi e venir lanciato intorno.
- **Il diametro esterno e lo spessore dell'accessorio montato devono corrispondere ai dati delle dimensioni dell'elettroutensile in dotazione.** In caso di utilizzo di portautensili e di accessori di dimensioni sbagliate non sarà possibile schermanli oppure controllarli a sufficienza.
- **Accessori con filetto riportato devono essere adatti in modo preciso alla filettatura dell'alberino. Negli accessori che vengono montati tramite flangia, il diametro del foro dell'accessorio deve corrispondere al diametro di alloggiamento della flangia.** Accessori che non vengono fissati in modo preciso all'elettroutensile non ruotano in modo uniforme, vibrano molto forte e possono provocare la perdita del controllo.
- **Non utilizzare mai portautensili od accessori danneggiati. Prima di ogni utilizzo controllare i portautensili e gli accessori ed accertarsi che sui dischi abrasivi non vi siano scheggiature o crepature, che il platorello non sia soggetto ad incrinature, crepature o forte usura e che le spazzole metalliche non abbiano fili metallici allentati oppure rotti. Se l'elettroutensile oppure l'accessorio impiegato dovesse sfuggire dalla mano e cadere, accertarsi che questo non abbia subito nessun danno oppure utilizzare un accessorio intatto. Una volta controllato e montato il portautensili o accessorio, far funzionare l'elettroutensile per la durata di un minuto con il numero massimo di giri avendo cura di tenersi lontani e di impedire anche ad altre persone presenti di avvicinarsi al portautensili o accessorio in rotazione.** Nella maggior parte dei casi i portautensili o accessori danneggiati si rompono nel corso di questo periodo di prova.
- **Indossare abbigliamento di protezione. A seconda dell'applicazione in corso utilizzare una visiera completa, maschera di protezione per gli occhi oppure occhiali di sicurezza. Per quanto necessario, portare maschere per polveri, protezione acustica, guanti di protezione oppure un grembiule speciale in grado di proteggervi da piccole particelle di levigatura o di materiale.** Gli occhi dovrebbero essere protetti da corpi estranei espulsi in aria nel corso di diverse applicazioni. La maschera antipolvere e la maschera respiratoria devono essere in grado di filtrare la polvere provocata durante l'applicazione. Esponendosi per lungo tempo ad un rumore troppo forte vi è il pericolo di perdere l'udito.
- **Avere cura di evitare che altre persone possano avvicinarsi alla zona in cui si sta lavorando. Ogni persona che entra nella zona di operazione deve indossare un abbigliamento protettivo personale.** Frammenti del pezzo in lavorazione oppure utensili rotti possono volar via oppure provocare incidenti anche al di fuori della zona diretta di lavoro.
- **Tenere l'apparecchio esclusivamente per le superfici isolate dell'impugnatura qualora venissero effettuati lavori durante i quali l'accessorio potrebbe venire a contatto con cavi elettrici nascosti**

oppure con il proprio cavo di rete. Il contatto con un cavo sotto tensione può mettere sotto tensione anche parti metalliche dell'apparecchio, causando una scossa elettrica.

- **Tenere il cavo di collegamento elettrico sempre lontano da portautensili o accessori in rotazione.** Se si perde il controllo sull'elettrotensile vi è il pericolo di trancare o di colpire il cavo di collegamento elettrico e la Vostra mano o braccio può arrivare a toccare il portautensile o accessorio in rotazione.
- **Mai poggiare l'elettrotensile prima che il portautensile o l'accessorio impiegato non si sia fermato completamente.** L'utensile in rotazione può entrare in contatto con la superficie di appoggio facendoVi perdere il controllo sulla macchina pneumatica.
- **Mai trasportare l'elettrotensile mentre questo dovesse essere ancora in funzione.** Attraverso un contatto casuale l'utensile in rotazione potrebbe fare presa sugli indumenti oppure sui capelli dell'operatore e potrebbe arrivare a ferire seriamente il corpo dell'operatore.
- **Pulire regolarmente le feritoie di ventilazione dell'elettrotensile in dotazione.** Il ventilatore del motore attira polvere nella carcassa ed una forte raccolta di polvere di metallo può provocare pericoli di origine elettrica.
- **Non utilizzare mai l'elettrotensile nelle vicinanze di materiali infiammabili.** Le scintille possono far prendere fuoco questi materiali.
- **Non utilizzare mai accessori che richiedano refrigeranti liquidi.** L'utilizzo di acqua o di altri liquidi refrigeranti può provocare una scossa di corrente elettrica.

Contraccolpo e relative avvertenze di pericolo

- Un contraccolpo è l'improvvisa reazione in seguito ad agganciamento oppure blocco di accessorio in rotazione come può essere un disco abrasivo, platorello, spazzola metallica ecc.. Agganciandosi oppure bloccandosi il portautensile o accessorio provoca un arresto improvviso della rotazione dello stesso. In questo caso l'operatore non è più in grado di controllare l'elettrotensile ed al punto di blocco si provoca un rimbalzo dello stesso che avviene nella direzione opposta a quella della rotazione del portautensile o dell'accessorio. Se p. es. un disco abrasivo resta agganciato o bloccato nel pezzo in lavorazione, il bordo del disco abrasivo che si abbassa nel pezzo in lavorazione può rimanere impigliato provocando in questo modo una rottura oppure un contraccolpo del disco abrasivo. Il disco abrasivo si avvicina o si allontana dall'operatore a seconda della direzione di rotazione che ha nel momento in cui si blocca. In tali situazioni è possibile che le mole abrasive possano anche rompersi. Un contraccolpo è la conseguenza di un utilizzo non appropriato oppure non corretto dell'elettrotensile. Esso può essere evitato soltanto prendendo misure adatte di sicurezza come dalla descrizione che segue.
- **Tenere sempre ben saldo l'elettrotensile e portare il proprio corpo e le proprie braccia in una posizione che Vi permetta di compensare le forze di contraccolpo. Se disponibile, utilizzare sempre l'impugnatura supplementare in modo da poter avere sempre il maggior controllo possibile su forze di contraccolpi oppure momenti di reazione che si sviluppano durante la fase in cui la macchina raggiunge il regime di pieno carico.** Prendendo appropriate misure di precauzione l'operatore può essere in grado di tenere sotto controllo le forze di contraccolpo e quelle di reazione a scatti.
- **Mai avvicinare la propria mano alla zona degli utensili in rotazione.** Nel corso dell'azione di contraccolpo il portautensile o accessorio potrebbe passare sulla Vostra mano.
- **Evitare di avvicinarsi con il proprio corpo alla zona in cui l'elettrotensile viene mosso in caso di un contraccolpo.** Un contraccolpo provoca uno spostamento improvviso dell'elettrotensile che si sviluppa nella direzione opposta a quella della rotazione della mola abrasiva al punto di blocco.
- **Operare con particolare attenzione in prossimità di spigoli, spigoli taglienti ecc.. Avere cura di impedire che portautensili o accessori possano rimbalzare dal pezzo in lavorazione oppure**

possano rimanervi bloccati. L'utensile in rotazione ha la tendenza a rimanere bloccato in angoli, spigoli taglienti oppure in caso di rimbalzo. Ciò provoca una perdita del controllo oppure un contraccolpo.

- **Non utilizzare seghe a catena e neppure lame dentellate.** Questo tipo di accessori provocano spesso un contraccolpo oppure la perdita del controllo sull'elettrotensile.

Particolari istruzioni di sicurezza per smerigliare

- **Utilizzare esclusivamente utensili abrasivi che siano esplicitamente ammessi per l'elettrotensile in dotazione e sempre in combinazione con la cuffia di protezione prevista per ogni utensile abrasivo.** Utensili abrasivi che non sono previsti per l'elettrotensile non possono essere sufficientemente schermati e sono insicuri.
- **Dischi abrasivi piegati a gomito devono essere montati in modo tale che la loro superficie abrasiva non sporga oltre il piano del bordo della cuffia di protezione.** Un disco abrasivo montato in modo non corretto che sporge dal piano del bordo della cuffia di protezione non può essere schermato sufficientemente.
- **La cuffia di protezione deve essere applicata in modo sicuro all'elettrotensile e deve essere regolata in modo tale da poter garantire il massimo possibile di sicurezza, questo significa che la parte dell'utensile abrasivo rivolta verso l'operatore, deve essere ridotta al minimo possibile.** La cuffia di protezione protegge l'operatore da frammenti, da contatto accidentale con l'utensile abrasivo nonché da scintille che possono far prendere fuoco ai vestiti.
- **Utensili abrasivi possono essere utilizzati esclusivamente per le possibilità applicative esplicitamente raccomandate. P. es.: Mai eseguire lavori di levigatura con la superficie laterale di un disco abrasivo da taglio diritto.** Mole abrasive da taglio diritto sono previste per l'asportazione di materiale con il bordo del disco. Esercitando dei carichi laterali su questi utensili abrasivi vi è il pericolo di romperli.
- **Per la mola abrasiva selezionata, utilizzare sempre flange di serraggio che siano in perfetto stato e che siano della corretta dimensione e forma.** Flange adatte hanno una funzione di corretto supporto della mola abrasiva riducendo il più possibile il pericolo di una rottura della mola abrasiva. È possibile che vi sia una differenza tra flange per mole abrasive da taglio diritto e flange per mole abrasive di altro tipo.
- **Non utilizzare mai mole abrasive usurate previste per elettrotensili più grandi.** Mole abrasive previste per elettrotensili più grandi non sono concepite per le maggiori velocità di elettrotensili più piccoli e possono rompersi.

COLLEGAMENTO ELETTRICO

La tensione di rete deve essere conforme alla tensione indicata sulla targhetta dell'utensile. L'utensile non deve mai essere utilizzato qualora venga riscontrato il danneggiamento del cavo di alimentazione. Il cavo danneggiato deve essere sostituito immediatamente da un Centro di assistenza autorizzato. Non tentare di riparare autonomamente il cavo danneggiato. L'utilizzo di cavi di alimentazione danneggiati può provocare folgorazioni.

AVVERTENZA: non mettere mai in funzione un sistema danneggiato. Segnalare sempre che il sistema è danneggiato e metterlo fuori servizio fino alla relativa riparazione.

SIMBOLI DI SICUREZZA

ATTENZIONE: indica una situazione potenzialmente pericolosa, che, se non evitata, può causare lesioni lievi o moderate. Può anche essere utilizzato come avvertimento contro pratiche rischiose passibili di provocare danni materiali.

PERICOLO: indica una situazione di pericolo imminente che, se non evitata, è causa di decesso o lesioni gravi.

AVVERTENZA: indica una situazione potenzialmente pericolosa che, se non evitata, è causa di decesso o lesioni gravi.

PRIMA DI UTILIZZARE L'UTENSILE

AVVERTENZA: determinate polveri che si formano durante le operazioni di levigatura, taglio, smerigliatura, foratura e altre attività costruttive contengono sostanze chimiche note per essere cancerogene, causare malformazioni congenite o danni riproduttivi. Qui di seguito sono riportati alcuni esempi di tali sostanze chimiche:

- piombo derivante da vernici a base di piombo;
- silice cristallina derivante da mattoni, cemento e altri materiali da costruzione;
- arsenico e cromo derivanti dal legname
- trattato chimicamente.

Il rischio legato a tali esposizioni varia a seconda della frequenza con cui vengono svolti questi lavori. Per ridurre l'esposizione a queste sostanze chimiche, lavorare in un'area ben ventilata e utilizzare dispositivi di sicurezza approvati come maschere antipolvere progettate appositamente per filtrare particelle di dimensioni microscopiche.

AVVERTENZA: per ridurre il rischio di errori che potrebbero causare lesioni gravi o permanenti, collegare il sistema alla corrente esclusivamente dopo avere completato la seguente procedura.

- Conoscere l'utilizzo e il funzionamento dell'interruttore di accensione/spengimento.
- Esaminare e comprendere tutte le istruzioni
- per la sicurezza e le procedure operative contenute nel presente manuale.
- Esaminare i metodi di manutenzione relativi all'utensile in questione.

RIDURRE IL RISCHIO DI AMBIENTE PERICOLOSO

- Utilizzare il sistema in un luogo asciutto o al chiuso, al riparo dalla pioggia.
- Posizionare il sistema in modo tale che né l'utilizzatore né i presenti siano costretti a stare in linea con il sistema stesso. Le persone nelle vicinanze potrebbero subire lesioni a causa di detriti scagliati.

PRIMA DI OGNI UTILIZZO, ESAMINARE IL SISTEMA

- Prima di modificarne le impostazioni, scollegare il sistema elettrico di abrasione dalla relativa fonte di alimentazione per ridurre il rischio di lesioni dovute ad avvio accidentale.
- Controllare che le parti mobili siano allineate correttamente.
- Controllare che non vi siano fili elettrici danneggiati.
- Controllare che le parti mobili non siano inceppate.
- Controllare che non vi siano componenti rotti.
- Assicurarsi che il pezzo da lavorare sia stabile.
- Controllare che non vi siano altre condizioni passibili di influire sul funzionamento del sistema.

Conservare gli utensili con cura. Tenere pulito il sistema per ottenere prestazioni ottimali e sicure. Seguire le istruzioni relative alla lubrificazione.

PER RIDURRE IL RISCHIO DI LESIONI DOVUTE A BLOCCHI, SCIVOLAMENTI O COMPONENTI SCAGLIATI

- Per ridurre il rischio di ustioni o altri danni causati dal fuoco, non utilizzare mai il sistema vicino a liquidi, vapori o gas infiammabili.
- Assicurarsi che tutti gli elementi di bloccaggio siano stretti e che non vi sia un gioco eccessivo tra i componenti.
- Tenere pulita l'area di lavoro. Il disordine nelle aree e sui banchi da lavoro è causa di incidenti. Il pavimento non deve essere scivoloso.

Conoscere il proprio sistema. Leggere e comprendere alla perfezione il manuale d'uso e le etichette applicate sull'utensile. Conoscerne le applicazioni e le restrizioni, nonché la potenziale pericolosità caratterizzante l'utensile in questione. Per ridurre il rischio di lesioni dovute a contatto accidentale con le parti mobili, non effettuare alcuna operazione di sistemazione, assemblaggio o impostazione del sistema mentre i componenti sono in movimento.

QUANDO IL SISTEMA È IN FUNZIONE

AVVERTENZA: non consentire che la familiarità (acquisita grazie all'utilizzo frequente dell'utensile) porti a compiere errori di distrazione. Anche distrazioni di una frazione di secondo possono causare lesioni gravi.

Qualora il sistema emetta rumori insoliti o produca una quantità eccessiva di vibrazioni, FERMARLO IMMEDIATAMENTE. Spegnerne l'utensile. Staccare la spina del sistema. Non riavviarlo fino a quando il problema non è stato individuato e risolto.

Assicurarsi che tutti i visitatori, i presenti e i bambini siano lontani dall'utensile e dal pezzo da lavorare.

PRIMA DI LIBERARE IL MATERIALE BLOCCATO

- Spegnerne l'utensile rilasciando il grilletto.
- Attendere che tutte le parti mobili si arrestino.
- Staccare la spina del sistema.

NON LASCIARE MAI L'UTENSILE INCUSTODITO MENTRE È IN FUNZIONE

- Disattivare l'alimentazione
- Attendere che tutte le parti mobili si arrestino.
- Staccare la spina del sistema.

AVVERTENZA: durante il funzionamento dei vari utensili, dei corpi estranei possono essere scagliati negli occhi dell'operatore con conseguenti lesioni oculari gravi. Prima di avviare l'utensile, indossare sempre occhiali di sicurezza dotati di protezioni laterali e, se necessario, una visiera. Si consiglia l'utilizzo di una maschera con visiera ampia sopra gli occhiali o di occhiali di sicurezza standard dotati di protezioni laterali.

RENDERE L'OFFICINA A PROVA DI BAMBINO

Chiudere a chiave l'officina.

Scollegare gli interruttori generali.

Conservare l'utensile fuori dalla portata dei bambini e di altre persone non qualificate per il suo utilizzo.

Questo simbolo serve a identificare importanti avvertenze per la sicurezza. Significa ATTENZIONE!!! Rischio per la sicurezza.

MOTORE E REQUISITI ELETTRICI

AVVERTENZA: per ridurre il rischio di pericoli elettrici, pericoli di incendio o danni all'utensile, utilizzare protezioni di circuito adeguate. Per ridurre il rischio di folgorazione o incendio, fare sostituire immediatamente il filo dell'alimentazione qualora quest'ultimo sia usurato, tagliato o abbia subito dei danneggiamenti.

AVVERTENZA: non toccare i terminali della spina durante l'installazione o la rimozione della stessa dalla presa al fine di evitare lesioni o il possibile decesso a causa di una folgorazione.

PROTEZIONE DI SICUREZZA DEL MOTORE

IMPORTANTE: per evitare danni al motore, soffiare via o aspirare la polvere frequentemente al fine di evitare che interferisca con la normale ventilazione del motore.

1. Collegare l'utensile a una fonte di alimentazione caratterizzata da una tensione adatta al modello in questione.
2. Se il motore non parte, disattivare immediatamente l'interruttore e staccare la spina.
3. Se il motore si spegne improvvisamente durante la lavorazione, rilasciare il grilletto e staccare la spina. A questo punto, il motore può essere riavviato.
4. I fusibili possono "bruciarsi" oppure gli interruttori possono scattare frequentemente per i seguenti motivi:
 - a. **sovraccarico del motore** - il sovraccarico può verificarsi quando il motore viene avviato/arrestato troppo frequentemente in poco tempo;
 - b. le tensioni di rete non dovrebbero superare $\pm 10\%$ della tensione indicata sulla targhetta. In caso

di carichi pesanti, tuttavia, la tensione in corrispondenza dei terminali del motore deve essere uguale alla tensione specificata per il modello in questione. Si sta utilizzando una testa di fresatura inadatta o smussata.

5. La maggior parte dei problemi del motore sono riconducibili a collegamenti allentati o sbagliati, sovraccarico, bassa tensione (come un filo di piccole dimensioni nel circuito di alimentazione) oppure a un filo di alimentazione eccessivamente lungo. Quando il motore non funziona bene, controllare sempre i collegamenti, il carico e il circuito di alimentazione. Verificare le dimensioni e la lunghezza dei fili consultando la tabella delle dimensioni dei fili.

DISIMBALLAGGIO

AVVERTENZA: per ridurre il rischio di lesioni dovute ad avvio imprevisto o folgorazione, non collegare il filo dell'alimentazione a una presa della fonte di alimentazione durante le operazioni di disimballaggio e assemblaggio. Il filo deve rimanere scollegato in caso di interventi sull'utensile.

L'intero utensile viene spedito in una scatola.

Rimuovere l'utensile e tutti i componenti sfusi dalla scatola. Posizionare tutti i componenti su una superficie di lavoro stabile e fissa e ispezionare attentamente il sistema.

ELENCO DEI COMPONENTI

Elenco dei contenuti

Gruppo di base.....	1
Manuale d'uso.....	1
Impugnatura laterale.....	1
Chiave per dadi.....	1
Chiave a compass.....	1
L-H Brugola.....	1
Flange.....	2

ACCESSORI CONSIGLIATI

Questo sistema può essere utilizzato esclusivamente con mole a tazza diamantate di diametro 125mm per G5 e 180mm per SM7 con un foro dell'albero di 22,23mm (7/8") oppure con un filetto femmina M14. Ogni altro uso è severamente vietato.

Con questo sistema non possono essere utilizzati accessori abrasivi a legante.

FUNZIONAMENTO DI BASE

NOTA: prima di collegare l'utensile al circuito di potenza, assicurarsi che quest'ultimo abbia la stessa tensione specificata sulla targhetta del sistema e che l'interruttore sia disattivato.

L'INTERRUPTORE

Il sistema è dotato di un grilletto lucchettabile. Premere il grilletto per avviare il sistema.

Per bloccare il grilletto in posizione accesa, premere il pulsante di bloccaggio mentre si tiene premuto il grilletto.

Per sbloccarlo, premere il grilletto e rilasciare.



ATTENZIONE: dopo lo spegnimento del sistema, il mandrino continua a girare. Assicurarsi che nessuna parte del corpo entri in contatto con le parti rotanti oppure assicurarsi di non appoggiare il sistema fino a quando tali parti non hanno smesso di girare!

COME UTILIZZARE L'UTENSILE

Questo sistema necessita di un utilizzo a **due mani** al fine di ottenere un controllo efficace e la massima protezione e resistenza alla coppia di avviamento e di funzionamento. Posizionare correttamente il pezzo da lavorare e tenere il sistema saldamente **CON ENTRAMBE LE MANI** per evitare una perdita del controllo, con conseguenti lesioni personali. Proteggere gli occhi da eventuali lesioni indossando occhiali di sicurezza.

SOVRACCARICO

Il presente sistema è dotato di protezione da sovraccarico che spegne il motore in caso di superamento della corrente massima consentita. Se scatta il sovraccarico, rimuovere il sistema dalla superficie di lavoro, rilasciare il grilletto e poi riattivarlo. Il sistema si riavvia.

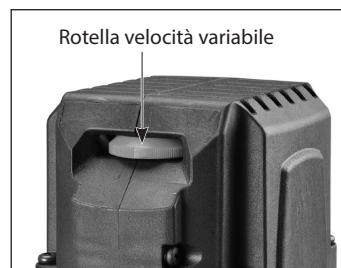
ATTENZIONE: in caso di sovraccarico del sistema, farlo sempre funzionare a vuoto per alcuni minuti affinché la temperatura possa ritornare a un livello normale prima di continuare il lavoro.

STABILIZZAZIONE DELLA VELOCITÀ

Il presente sistema è dotato di un dispositivo elettronico di stabilizzazione della velocità che mantiene la velocità costante sotto carico.

FUNZIONE VELOCITÀ VARIABILE

La velocità del motore può variare al fine di adattarsi alle necessità delle diverse situazioni di lavoro. Ruotare la rotella velocità variabile in senso orario per aumentare la velocità e in senso antiorario per diminuirla.



COLLEGAMENTO DELL'ASPIRATORE

AVVERTENZA: la polvere che si forma durante il lavoro può nuocere alla salute.

Questo sistema è stato progettato appositamente per la smerigliatura a secco del calcestruzzo e di materiali simili. Utilizza mole a tazza diamantate a secco e deve essere impiegato con un aspirapolvere adatto. Non scaricare mai la polvere direttamente nell'atmosfera.

Per connettere il tubo dell'aspiratore alla relativa porta, tenere il sistema saldamente con una mano. Poi, con un movimento rotatorio, spingere il tubo dell'aspiratore nella relativa porta.

PROTEZIONE DI SICUREZZA

La protezione di sicurezza (ovvero lo zoccolo) deve sempre essere utilizzata quando si lavora con questo sistema. Non è regolabile. Lo sportello a mezzaluna può essere rimosso temporaneamente per esporre il dispositivo di rifinitura dei bordi. Consultare la sezione riportata sotto.

IL DISPOSITIVO DI RIFINITURA DEI BORDI

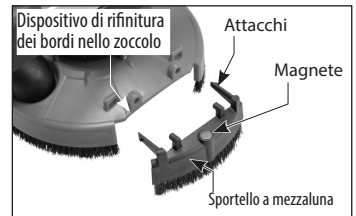
Quando si lavora in corrispondenza di pareti o angoli, lo zoccolo impedisce alla testa di smerigliatura di raggiungere i bordi.

Sul modello G5, premere la linguetta, fare scorrere lo sportello a mezzaluna verso l'esterno per sbloccarlo, poi ruotarlo lateralmente fino a farlo scattare.

NOTA: Tenere pulito il meccanismo. La polvere accumulatasi ne renderà difficile l'apertura.

Sul modello G7, lo sportello a mezzaluna può essere rimosso spingendo i due attacchi verso l'interno. In questo modo, il dispositivo di rifinitura dei bordi che si trova nello zoccolo viene esposto.

Lo sportello a mezzaluna può essere fissato temporaneamente alla porzione trasversale dell'impugnatura utilizzando l'apposito magnete. In questo modo, la testa di smerigliatura può raggiungere anche i bordi. La polvere non viene raccolta perfettamente; per questo occorre riposizionare immediatamente lo sportello quando il dispositivo di rifinitura dei bordi non è più necessario.



CAMBIARE L'UTENSILE – Rimozione e sostituzione della mola a tazza diamantata

ATTENZIONE: prima di intervenire o regolare il sistema, spegnerlo e staccare la spina.

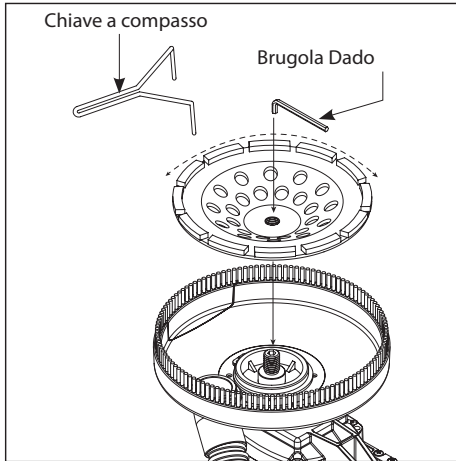
ATTENZIONE: la mola può diventare molto calda durante la lavorazione. Prima di procedere alla sostituzione, lasciare raffreddare la mola

1. Posizionare il sistema su uno spazio di lavoro piano e robusto.
2. Nel caso di una mola a tazza diamantata con filetto femmina M14, non utilizzare le flange. Inserire semplicemente la mola sul mandrino. Utilizzare la brugola per impedire al mandrino di ruotare e serrare la

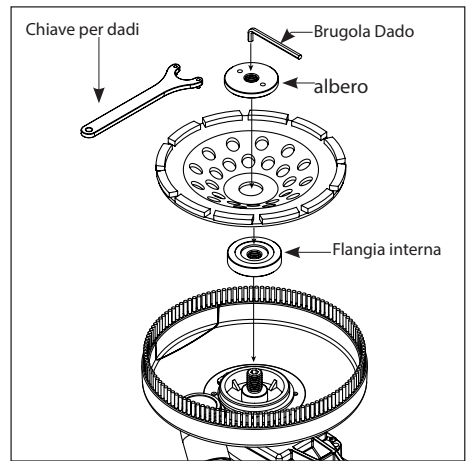
mola utilizzando la chiave a compasso.

3. Se si utilizza una mola a tazza diamantata con foro dell'albero, montare innanzitutto la flangia interna sul mandrino. Montare la mola sulla spalla della flangia interna, poi inserire il dado dell'albero. Utilizzare la brugola per impedire al mandrino di ruotare e serrare il dado dell'albero con la chiave per dadi.
4. Per la sostituzione, applicare la procedura di rimozione all'inverso.

INSTALLAZIONE DI MOLE A TAZZA DIAMANTATE C/ FILETTO FEMMINA M14.



INSTALLAZIONE DI MOLE A TAZZA DIAMANTATE CON FORO DELL'ALBERO.



MMAGAZZINAMENTO

ATTENZIONE: non immagazzinare il sistema appoggiandolo sulle setole – Immagazzinarlo appoggiandolo su un lato.

ATTENZIONE: non immagazzinare il sistema schiacciando il cavo di alimentazione per evitare di danneggiare il cavo.

SOSTITUZIONE DELLE SPAZZOLE ZOCCOLO ANTIPOLVERE

Sui modelli G5, le spazzole zoccolo antipolvere possono essere sostituite in caso di usura. Per la sostituzione, rimuovere le 3 viti per sostituire la spazzola piccola sullo sportello a mezzaluna e togliere le 6 viti per sostituire la spazzola grande sullo zoccolo antipolvere

SOSTITUZIONE DELLE SPAZZOLE DI CARBONE

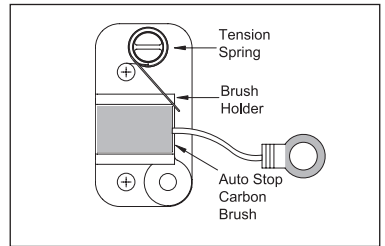
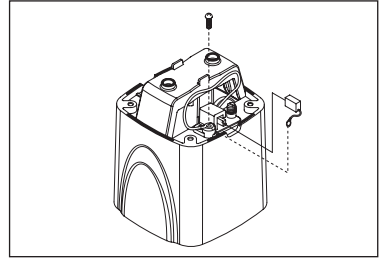
Le spazzole di carbone sono pezzi normalmente soggetti a usura e devono essere sostituite quando raggiungono il relativo limite di usura.

ATTENZIONE: sostituire sempre le spazzole a coppie.

Per la sostituzione:

rimuovere le quattro viti e il riparo posteriore. Utilizzando delle pinze, ruotare la molla della spazzola al fine di rimuoverla ed estrarre la vecchia spazzola di carbone dal portaspazzola. Svitare le vite per rimuovere la spazzola. A questo punto la vecchia spazzola di carbone può essere rimossa. Installare una nuova spazzola. Per l'installazione, applicare la procedura di rimozione all'inverso. riposizionare il riparo posteriore del motore.

NOTA: per reinstallare le stesse spazzole, assicurarsi innanzitutto che queste ultime tornino in posizione così come sono uscite. Altrimenti, si verificherebbe un periodo di interruzione passibile di diminuire le prestazioni del motore e aumentare l'usura delle spazzole. Almeno una volta all'anno, si consiglia di portare l'utensile in un centro di assistenza autorizzato per pulirlo e lubrificarlo accuratamente.



MANUTENZIONE

AVVERTENZA: per ridurre il rischio di lesioni dovute ad avvio imprevisto o folgorazione, scollegare il filo dell'alimentazione prima di intervenire sul sistema.

Tenere pulito il sistema. Rimuovere la polvere accumulata dai componenti mobili. Assicurarsi che l'utensile funzioni correttamente. Controllare periodicamente il serraggio di viti e bulloni.

TENERE PULITO L'UTENSILE

Tenere sempre puliti il sistema e la feritoia di ingresso dell'aria per garantire un funzionamento corretto e sicuro. In condizioni di applicazione estreme che prevedono l'utilizzo di metallo, la polvere può entrare nel sistema. L'isolamento di protezione del sistema può essere influenzato negativamente. In questi casi, il sistema deve essere liberato regolarmente soffiando aria attraverso la feritoia di ingresso dell'aria. Si consiglia di utilizzare una bocchetta dell'aspirapolvere.

AVVERTENZA: per garantire sicurezza e affidabilità, tutte le riparazioni, ad eccezione delle spazzole accessibili dall'esterno, devono essere effettuate presso un centro di assistenza autorizzato.

AVVERTENZA: qualora fosse necessario sostituire il filo dell'alimentazione, l'operazione deve essere effettuata dal produttore o da un suo rappresentante al fine di evitare qualsiasi pericolo per la sicurezza.

Non gettare gli utensili elettrici con i rifiuti domestici! In conformità con la Direttiva europea 2002/96/CE sui Rifiuti di Apparecchiature Elettriche ed Elettroniche e la relativa trasposizione in legge nazionale, gli utensili elettrici usati devono essere raccolti separatamente e riciclati in maniera ecosostenibile.

Informazioni rumorosità/vibrazioni

Misurate in conformità con EN 60745-2-3

Modello n. : G5, SM7

Livello di rumorosità: Livello di pressione sonora(L_{pA}): 90,0 dB (A)

Livello di potenza sonora(L_{wA}): 101,0 dB(A) $K = 3,0\text{dB(A)}$

Livello vibrazioni: $a_h = 7,5 \text{ m/s}^2$ $K = 1,5 \text{ m/s}^2$

Il livello di vibrazioni emesse è stato misurato in conformità con un test standardizzato esposto in EN 60745; può essere utilizzato per mettere a confronto due utensili e come valutazione preliminare dell'esposizione alle vibrazioni quando si utilizza l'utensile per le applicazioni menzionate

- l'utilizzo dell'utensile per applicazioni diverse, o con accessori diversi o in cattivo stato,

può aumentare sensibilmente il livello di esposizione

- il tempo durante il quale l'utensile è spento, oppure in funzione senza tuttavia svolgere nessuna operazione vera e propria, può ridurre sensibilmente il livello di esposizione

per proteggersi dagli effetti delle vibrazioni occorre mantenere in buono stato gli utensili e i relativi accessori, tenere calde le mani e organizzare i ritmi di lavoro

Dichiarazione di conformità CE

•Dichiariamo sotto la nostra esclusiva responsabilità che il presente prodotto è conforme alle seguenti norme o documenti standardizzati: EN 60745-1: 2009 + A11: 2010; EN 60745-2-3: 2011 + A2: 2013 + A11: 2014 + A12: 2014 + A13: 2015, EN 61000, EN 55014 in conformità con le direttive 2014/30/UE, 2006/42/CE, 2011/65/UE

•Fascicolo tecnico presso: LEE YEONG INDUSTRIAL CO., LTD., NO.2, KEJIA RD., DOULIU CITY, YUNLIN COUNTY 64057, TAIWAN YUNLIN COUNTY 64057, TAIWAN

You-Chun, Liu
Gestione e progettazione

You chun Liu

Chih-Hao, Lai
Responsabile approvazione

chih hao lai

LEE YEONG INDUSTRIAL CO., LTD.,
NO.2, KEJIA RD., DOULIU CITY, YUNLIN COUNTY 64057, TAIWAN 07.04.2014

LEE YEONG INDUSTRIAL CO., LTD.

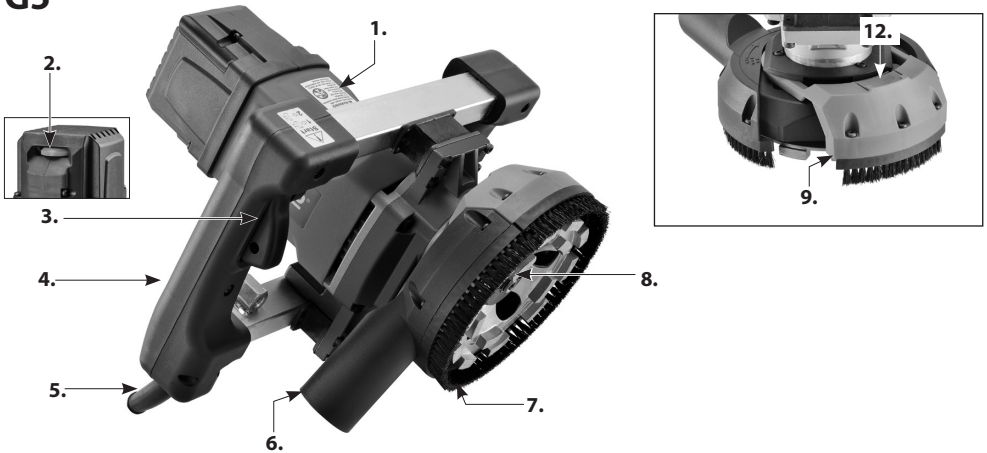
NO.2, KEJIA RD., DOULIU CITY,
YUNLIN COUNTY 64057, TAIWAN

TEL: 886-5-5518689 (REP)

Fax: 886-5-5518635

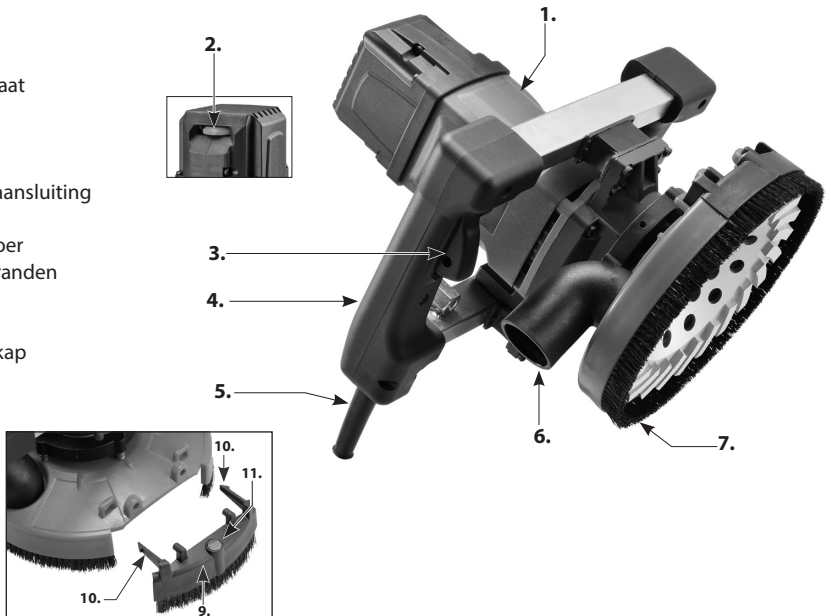
Model	G5	SM7
Vermogen	110-120 V:1700 W, 220-240 V:2200 W	
Voltage	110-120 V~ 50-60 Hz , 220-240 V~ 50-60 Hz (Zie naamplaat op machine)	
Onbelast toerental /min ⁻¹	4500 ~ 9500	3200 - 6500
Komschijf diameter	125 mm (5")	180 mm (7")
Schroefdraad op motoras	M14	M14
Asgat	22.23mm (7/8")	22.23mm (7/8")
Afmetingen	246 mm x 280 mm x 325 mm	
Gewicht	5,75 kg (12.65 lbs)	5,74 kg (12.65 lbs)

G5



SM7

1. Motor
2. Snelheidsregelaar
3. Schakelaar
4. Handvat
5. Voedingsnoer
6. Stofafzuigingsaansluiting
7. Stofkap
8. Aansluitingsmoer
9. Opening voor randen
10. Clips
11. Magneet
12. Beweegbare kap



ALGEMENE VEILIGHEIDSVORSCHRIFTEN



LET OP! Lees alle veiligheidsvoorschriften en instructies. Wanneer de waarschuwingen en instructies niet in acht worden genomen, kan dit een elektrische schok, brand of ernstig letsel tot gevolg hebben.

Bewaar alle waarschuwingen en voorschriften voor toekomstig gebruik.

Het in de waarschuwingen gebruikte begrip „elektrisch gereedschap” heeft betrekking op elektrische gereedschappen voor gebruik op het stroomnet (met netsnoer) en op elektrische gereedschappen voor gebruik met een accu (zonder netsnoer).

1. WERKOMGEVING

- a. **Houd uw werkomgeving schoon en opgeruimd.** Een rommelige of onverlichte werkomgeving kan tot ongevallen leiden.
- b. **Werk met het gereedschap niet in een omgeving met explosiegevaar waarin zich brandbare vloeistoffen, gassen of stof bevinden.** Elektrische gereedschappen veroorzaken vonken die het stof of de dampen tot ontsteking kunnen brengen.
- c. **Houd kinderen en andere personen tijdens het gebruik van het elektrische gereedschap uit de buurt.** Wanneer u wordt afgeleid, kunt u de controle over het gereedschap verliezen.
- d. **Laat het elektrisch gereedschap niet lopen zonder toezicht.** Verlaat het elektrisch gereedschap pas wanneer het volledig tot stilstand gekomen is.

2. ELEKTRISCHE VEILIGHEID

- a. **De aansluitstekker van het gereedschap moet in het stopcontact passen. De stekker mag in geen geval worden veranderd. Gebruik geen adapterstekkers in combinatie met geaarde gereedschappen.** Onveranderde stekkers en passende stopcontacten beperken het risico van een elektrische schok.
- b. **Voorkom aanraking van het lichaam met geaarde oppervlakken, bijvoorbeeld van buizen, verwarmingen, fornuizen en koelkasten.** Er bestaat een verhoogd risico door een elektrische schok wanneer uw lichaam geaard is.
- c. **c) Houd het gereedschap uit de buurt van regen en vocht.** Het binnendringen van water in het elektrische gereedschap vergroot het risico van een elektrische schok.
- d. **Gebruik de kabel niet voor een verkeerd doel, om het gereedschap te dragen of op te hangen of om de stekker uit het stopcontact te trekken. Houd de kabel uit de buurt van hitte, olie, scherpe randen en bewegende gereedschapsdelen.** Beschadigde of in de war geraakte kabels vergroten het risico van een elektrische schok.
- e. **Wanneer u buitenshuis met elektrisch gereedschap werkt, dient u alleen verlengkabels te gebruiken die voor gebruik buitenshuis zijn goedgekeurd.** Het gebruik van een voor gebruik buitenshuis geschikte verlengkabel beperkt het risico van een elektrische schok.
- f. **Als het gebruik van het elektrische gereedschap in een vochtige omgeving onvermijdelijk is, dient**

u een aardlekschakelaar te gebruiken. Het gebruik van een aardlekschakelaar vermindert het risico van een elektrische schok.

3. VEILIGHEID VAN PERSONEN

- a. **Wees alert, let goed op wat u doet en ga met verstand te werk bij het gebruik van het elektrische gereedschap. Gebruik het gereedschap niet wanneer u moe bent of onder invloed staat van drugs, alcohol of medicijnen.** Een moment van onoplettendheid bij het gebruik van het gereedschap kan tot ernstige verwondingen leiden.
- b. **Draag persoonlijke beschermende uitrusting en altijd een veiligheidsbril.** Het dragen van persoonlijke beschermende uitrusting zoals een stofmasker, slipvaste werkschoenen, een veiligheidshelm of gehoorbescherming, afhankelijk van de aard en het gebruik van het elektrische gereedschap, vermindert het risico van verwondingen.
- c. **Voorkom per ongeluk inschakelen. Controleer dat de schakelaar in de stand “UIT” staat voordat u de stekker in het stopcontact steekt.** Wanneer u bij het dragen van het gereedschap uw vinger aan de schakelaar hebt of wanneer u het gereedschap ingeschakeld op de stroomvoorziening aansluit, kan dit tot ongevallen leiden.
- d. **Verwijder instelgereedschappen of schroefsleutels voordat u het gereedschap inschakelt.** Een instelgereedschap of sleutel in een draaiend deel van het gereedschap kan tot verwondingen leiden.
- e. **Overschat uzelf niet. Zorg ervoor dat u stevig staat en steeds in evenwicht blijft.** Daardoor kunt u het gereedschap in onverwachte situaties beter onder controle houden.
- f. **Draag geschikte kleding. Draag geen wijde kleding of sieraden. Houd u haren en kleding uit de buurt van bewegende delen.** Losse kleding, sieraden of lange haren kunnen worden gegrepen door bewegende delen.
- g. **Wanneer stofafzuigings- of stofopvangvoorzieningen kunnen worden gemonteerd, dient u zich ervan te verzekeren dat deze zijn aangesloten en juist worden gebruikt.** Het gebruik van deze voorzieningen beperkt het gevaar door stof.
- h. **Zorg ervoor dat u zich als gevolg van het veelvuldige gebruik van machines niet laat leiden door gewoontevorming en de essentiële veiligheidsprincipes van de machine veronachtzaamt.** Een onvoorzichtige handeling kan binnen een fractie van een seconde ernstig letsel tot gevolg hebben.

4. GEBRUIK EN ONDERHOUD VAN ELEKTRISCHE GEREEDSCHAPPEN

- a. **Overbelast het gereedschap niet. Gebruik voor uw werkzaamheden het daarvoor bestemde elektrische gereedschap.** Met het passende elektrische gereedschap werkt u beter en veiliger binnen het aangegeven capaciteitsbereik.
- b. **Gebruik geen elektrisch gereedschap waarvan de schakelaar defect is.** Elektrisch gereedschap dat niet meer kan worden in- of uitgeschakeld, is gevaarlijk en moet worden gerepareerd.
- c. **Trek de stekker uit het stopcontact voordat u het gereedschap instelt, toebehoren wisselt of het gereedschap weglegt.** Deze voorzorgsmaatregel voorkomt onbedoeld starten van het gereedschap.
- d. **Bewaar niet-gebruikte elektrische gereedschappen buiten bereik van kinderen. Laat het gereedschap niet gebruiken door personen die er niet mee vertrouwd zijn en deze aanwijzingen niet hebben gelezen.** Elektrische gereedschappen zijn gevaarlijk wanneer deze door onervaren

personen worden gebruikt.

- e. **Verzorg het gereedschap zorgvuldig. Controleer of bewegende delen van het gereedschap correct functioneren en niet vastklemmen en of onderdelen zodanig gebroken of beschadigd zijn dat de werking van het gereedschap nadelig wordt beïnvloed. Laat beschadigde delen repareren voordat u het gereedschap gebruikt.** Veel ongevallen hebben hun oorzaak in slecht onderhouden elektrische gereedschappen.
- f. **Houd snijdende inzetgereedschappen scherp en schoon.** Zorgvuldig onderhouden snijdende inzetgereedschappen met scherpe snijkanten klemmen minder snel vast en zijn gemakkelijker te geleiden.
- g. **Gebruik elektrische gereedschappen, toebehoren, inzetgereedschappen en dergelijke volgens deze aanwijzingen en zoals voor dit speciale gereedschapstype voorgeschreven. Let daarbij op de arbeidsomstandigheden en de uit te voeren werkzaamheden.** Het gebruik van elektrische gereedschappen voor andere dan de voorziene toepassingen kan tot gevaarlijke situaties leiden.
- h. **Zorg ervoor dat de handgrepen droog, schoon en vrij van olie en vet zijn.** Zijn de handgrepen glad, dan is het niet mogelijk het elektrogereedschap in onverwachte situaties veilig te bedienen en onder controle te houden.

5.SERVICE

- a. **Laat het gereedschap alleen repareren door gekwalificeerd en vakkundig personeel en alleen met originele vervangingsonderdelen.** Daarmee wordt gewaarborgd dat de veiligheid van het gereedschap in stand blijft.
- b. **Gebruik voor reparaties en onderhoud alleen originele onderdelen.** Het gebruik van accessoires of reserveonderdelen die hier niet voor bestemd zijn, kan leiden tot een elektrische schok of lichamelijk letsel.

Symbolen gebruikt in deze handleiding

Vvolt

Aampère

HZhertz

Wwatt

~wielspanning

N₀onbelast toerental

min⁻¹ omwentelingen per minute



.....waarschuwing voor gevaar



..... klasse II gereedschap



.....Lees deze handleiding



.....Draag altijd oogbescherming



.....Draag altijd stofmasker



.....Draag altijd oorbescherming



.....Draag veiligheidshelm



Elektrische gereedschappen, toebehoren en verpakkingen moeten op een voor het milieu verantwoorde wijze worden hergebruikt. Gooi elektrische gereedschappen niet bij het huisvuil.

Veiligheidsvoorschriften voor betonschuurmachines

Algemene veiligheidsvoorschriften voor slijpwerkzaamheden

- **Dit elektrische gereedschap moet worden gebruikt als slijpmachine. Neem alle veiligheidsvoorschriften, aanwijzingen, afbeeldingen en gegevens die u bij het elektrische gereedschap ontvangt in acht.** Als u de volgende aanwijzingen niet in acht neemt, kunnen een elektrische schok, brand en/of ernstig letsel het gevolg zijn.
- **Dit elektrische gereedschap is niet geschikt voor schuurwerkzaamheden met schuurpapier, werkzaamheden met draadborstels, polijst- en doorslijpwerkzaamheden.** Toepassingen waarvoor het elektrische gereedschap niet is voorzien, kunnen gevaren en verwondingen veroorzaken.
- **Gebruik uitsluitend toebehoren dat door de fabrikant speciaal voor dit elektrische gereedschap is voorzien en geadviseerd.** Het feit dat u het toebehoren aan het elektrische gereedschap kunt bevestigen, waarborgt nog geen veilig gebruik.
- **Het toegestane toerental van het inzetgereedschap moet minstens even hoog zijn als het maximale toerental dat op het elektrische gereedschap vermeld staat.** Toebehoren dat sneller draait dan toegestaan, kan breken en wegvliegen.
- **De buitendiameter en de dikte van het inzetgereedschap moeten overeenkomen met de maatgegevens van het elektrische gereedschap.** Inzetgereedschappen met onjuiste afmetingen kunnen niet voldoende afgeschermd of gecontroleerd worden.
- **Inzetgereedschappen met schroefdraadinzetstuk moeten nauwkeurig op de schroefdraad van de uitgaande as passen. De gatdiameter van met een flens gemonteerde inzetgereedschappen moet passen bij de opnamediameter van de flens.** Inzetgereedschappen die niet nauwkeurig op het elektrische gereedschap bevestigd worden, draaien ongelijkmatig, trillen sterk en kunnen tot verlies van de controle leiden.
- **Gebruik geen beschadigde inzetgereedschappen. Controleer voor het gebruik altijd inzetgereedschappen zoals slijpschijven op afsplinteringen en scheuren, steunschijven op scheuren of sterke slijtage en draadborstels op losse of gebroken draden. Als het elektrische gereedschap of het inzetgereedschap valt, dient u te controleren of het beschadigd is, of gebruik een onbeschadigd inzetgereedschap. Als u het inzetgereedschap hebt gecontroleerd en ingezet, laat u het elektrische gereedschap een minuut lang met het maximale toerental lopen. Daarbij dient u en dienen andere personen uit de buurt van het ronddraaiende inzetgereedschap te blijven.** Beschadigde inzetgereedschappen breken meestal gedurende deze testtijd.
- **Draag persoonlijke beschermende uitrusting. Gebruik afhankelijk van de toepassing een volledige gezichtsbescherming, oogbescherming of veiligheidsbril. Draag voor zover van toepassing een stofmasker, een gehoorbescherming, werkhandschoenen of een speciaal schort dat kleine slijp- en materiaaldeeltjes tegenhoudt.** Uw ogen moeten worden beschermd tegen wegvliegende deeltjes die bij verschillende toepassingen ontstaan. Een stof- of adembeschermingsmasker moet het bij de toepassing ontstaande stof filteren. Als u lang wordt blootgesteld aan luid lawaai, kan uw gehoor worden beschadigd.
- **Let erop dat andere personen zich op een veilige afstand bevinden van de plaats waar u werkt. Iedereen die de werkomgeving betreedt, moet persoonlijke beschermende uitrusting dragen.** Brokstukken van het werkstuk of gebroken inzetgereedschappen kunnen wegvliegen en verwondingen veroorzaken, ook buiten de directe werkomgeving.
- **Houd het gereedschap alleen aan de geïsoleerde greepvlakken vast als u werkzaamheden uitvoert waarbij het inzetgereedschap verborgen stroomleidingen of de eigen stroomkabel kan raken.**

Contact met een onder spanning staande leiding kan ook metalen delen van het gereedschap onder spanning zetten en tot een elektrische schok leiden.

- **Houd de stroomkabel uit de buurt van draaiende inzetgereedschappen.** Als u de controle over het elektrische gereedschap verliest, kan de stroomkabel worden doorgesneden of meegenomen en uw hand of arm kan in het ronddraaiende inzetgereedschap terechtkomen.
- **Leg het elektrische gereedschap nooit neer voordat het inzetgereedschap volledig tot stilstand is gekomen.** Het draaiende inzetgereedschap kan in contact komen met het oppervlak, waardoor u de controle over het elektrische gereedschap kunt verliezen.
- **Laat het elektrische gereedschap niet lopen terwijl u het draagt.** Uw kleding kan door toevallig contact met het draaiende inzetgereedschap worden meegenomen en het inzetgereedschap kan zich in uw lichaam boren.
- **Reinig regelmatig de ventilatieopeningen van het elektrische gereedschap.** De motorventilator trekt stof in het huis en een sterke ophoping van metaalstof kan elektrische gevaren veroorzaken.
- **Gebruik het elektrische gereedschap niet in de buurt van brandbare materialen.** Vonken kunnen deze materialen ontsteken.
- **Gebruik geen inzetgereedschappen waarvoor vloeibare koelmiddelen vereist zijn.** Het gebruik van water of andere vloeibare koelmiddelen kan tot een elektrische schok leiden.

Terugslag en bijbehorende waarschuwingen

- Terugslag is de plotselinge reactie als gevolg van een vasthakend of geblokkeerd draaiend inzetgereedschap, zoals een slijpschijf, steunschijf, draadborstel, enz. Vasthaken of blokkeren leidt tot abrupte stilstand van het ronddraaiende inzetgereedschap. Daardoor wordt een ongecontroleerd elektrisch gereedschap tegen de draairichting van het inzetgereedschap versneld op de plaats van de blokkering. Als bijvoorbeeld een slijpschijf in het werkstuk vasthaakt of blokkeert, kan de rand van de slijpschijf die in het werkstuk invalt, zich vastgrijpen. Daardoor kan de slijpschijf uitbreken of een terugslag veroorzaken. De slijpschijf beweegt zich vervolgens naar de bediener toe of van de bediener weg, afhankelijk van de draairichting van de schijf op de plaats van de blokkering. Hierbij kunnen slijpschijven ook breken. Een terugslag is het gevolg van het verkeerd gebruik of onjuiste gebruiksomstandigheden van het elektrische gereedschap. Terugslag kan worden voorkomen door geschikte voorzorgsmaatregelen, zoals hieronder beschreven.
- **Houd het elektrische gereedschap goed vast en breng uw lichaam en uw armen in een positie waarin u de terugslagkrachten kunt opvangen. Gebruik altijd de extra handgreep, indien aanwezig, om de grootst mogelijke controle te hebben over terugslagkrachten of reactiemomenten bij het op toeren komen.** De bediener kan door geschikte voorzorgsmaatregelen de terugslag- en reactiekrachten beheersen.
- **Breng uw hand nooit in de buurt van draaiende inzetgereedschappen.** Het inzetgereedschap kan bij de terugslag over uw hand bewegen.
- **Mijd met uw lichaam het gebied waarheen het elektrische gereedschap bij een terugslag wordt bewogen.** De terugslag drijft het elektrische gereedschap in de richting die tegengesteld is aan de beweging van de slijpschijf op de plaats van de blokkering.
- **Werk bijzonder voorzichtig in de buurt van hoeken, scherpe randen, enz. Voorkom dat inzetgereedschappen van het werkstuk terugspringen en vastklemmen.** Het ronddraaiende inzetgereedschap neigt er bij hoeken, scherpe randen of wanneer het terugspringt toe om zich vast te klemmen. Dit veroorzaakt een controleverlies of terugslag.
- **Gebruik geen kettingblad of getand zaagblad.** Zulke inzetgereedschappen veroorzaken vaak een

terugslag of het verlies van de controle over het elektrische gereedschap.

Bijzondere veiligheidsvoorschriften voor slijp- en schuurwerkzaamheden

- **Gebruik uitsluitend het voor het elektrische gereedschap toegestane slijptoebehoren en de voor dit slijptoebehoren voorziene beschermkap.** Slijptoebehoren dat niet voor het elektrische gereedschap is voorzien, kan niet voldoende worden afgeschermd en is niet veilig.
- **Gebogen slijpschijven moeten zodanig gemonteerd worden dat hun slijpoppervlak niet boven de rand van de beschermkap uit steekt.** Een onjuist gemonteerde slijpschijf die over de rand van de slijpschijf uitsteekt, kan onvoldoende afgeschermd worden.
- **De beschermkap moet stevig op het elektrische gereedschap zijn aangebracht en voor een maximum aan veiligheid zodanig zijn ingesteld dat het kleinst mogelijke deel van het slijptoebehoren open naar de bediener wijst.** De beschermkap helpt de bediener te beschermen tegen brokstukken en toevallig contact met het slijptoebehoren alsmede tegen vonken die de kleding kunnen doen ontbranden.
- **Slijptoebehoren mag alleen worden gebruikt voor de geadviseerde toepassingsmogelijkheden. Bijvoorbeeld: slijp nooit met het zijvlak van een doorslijpschijf.** Doorslijpschijven zijn bestemd voor materiaalafname met de rand van de schijf. Een zijwaartse krachtinwerking op dit slijptoebehoren kan het toebehoren breken.
- **Gebruik altijd onbeschadigde spanflenzen in de juiste maat en vorm voor de door u gekozen slijpschijf.** Geschikte flenzen steunen de slijpschijf en verminderen zo het gevaar van een slijpschijfbreuk. Flenzen voor doorslijpschijven kunnen verschillen van de flenzen voor andere slijpschijven.
- **Gebruik geen versleten slijpschijven van grotere elektrische gereedschappen.** Slijpschijven voor grotere elektrische gereedschappen zijn niet geconstrueerd voor de hogere toerentallen van kleinere elektrische gereedschappen en kunnen breken.

ELEKTRISCHE AANSLUITING

De spanning van het netwerk moet overeenkomen met de spanning op het naamplaatje van de boormotor. In geen geval mag de boormotor worden gebruikt wanneer de voedingskabel is beschadigd. Een beschadigde kabel moet onmiddellijk worden vervangen door een door AGP erkende reparateur. Probeer niet om de beschadigde kabel zelf te repareren. Het gebruik van beschadigde stroomkabels kan leiden tot een elektrische schok.

WAARSCHUWING: Gebruik nooit een beschadigde machine. Label de beschadigde machine en neem ze uit dienst tot de reparatie uitgevoerd is.

VEILIGHEIDSSYMBOLLEN

LET OP: Geeft een mogelijk gevaarlijke situatie aan, die indien niet vermeden wordt kan leiden tot licht of matig letsel. Het kan ook worden gebruikt om te waarschuwen tegen onveilige situaties die materiële schade als gevolg kunnen hebben.

GEVAAR: Geeft een dreigende gevaarlijke situatie aan, die indien niet vermeden, kan leiden tot de dood of ernstig letsel.

WAARSCHUWING: Geeft een potentieel gevaarlijke situatie aan die indien niet vermeden, kan leiden tot de dood of ernstig letsel.

VOORALEER U DIT TOESTEL GEBRUIKT !

WAARSCHUWING: Stof gegenereerd door schuren, zagen, slijpen, boren of andere bouwactiviteiten kunnen chemicaliën bevatten die die kanker, geboorteafwijkingen of andere reproductieve schade veroorzaken.

Voorbeelden van deze stofsoorten

- Loodhoudende verven
- Silicaat in kristalvorm uit bakstenen, cement en andere metsel producten
- Arseen en chroom uit chemisch
- behandeld hout.

Uw risico aan deze blootstellingen varieert, afhankelijk van hoe vaak u dit soort werk uitvoert. Als u uw blootstelling aan deze stoffen wil verminderen, werk dan in een goed geventileerde ruimte en werk met goedgekeurde veiligheidsuitrusting zoals stofmaskers die speciaal is ontworpen zijn voor het tegenhouden van microscopische deeltjes.

WAARSCHUWING: Om het risico van ernstig of blijvend letsel te voorkomen door onopzettelijk starten, mag de machine niet elektrisch aangesloten voordat volgende stappen zijn gecontroleerd.

- De functie van de aan-uit schakelaar begrijpen.
- Lees en begrijp alle veiligheidsvoorschriften
- Lees en begrijp de bijgeleverde handleiding.
- Bekijk of alle onderdelen in goede staat zijn.

VERMINDER HET RISICO OP EEN GEVAARLIJKE WERKOMGEVING

- Gebruik de machine binnen of op een droge of plaats beschermd tegen regen.
- Gebruik de machine zo dat noch de gebruiker noch omstanders in het werkoppervlak van de machine staan, zodat geen wegvliegende delen verwondingen kunnen aanbrengen.

INSPECTEER UW MACHINE VOOR ELK GEBRUIK

- Haal de stekker uit het stopcontact om het risico van letsel door ongeval te verhinderen. Voordat je iets aan de instelling van de machine wijzigt.
- Controleer de goede uitlijning van de onderdelen en schijven.?
- Controleer of het elektrisch snoer niet beschadigde is.
- Controleer als bewegende delen vast zitten.
- Controleer op beschadigde onderdelen.
- Zorg ervoor dat het te bewerken vlak stabiel is
- Check alle andere omstandigheden die een goede werking van de machine kunnen verhinderen

Behandel de machine met zorg. Houd de machine schoon voor de beste en veiligste prestaties. Volg de instructies voor het smeren.

OM HET RISICO OP LETSEL DOOR BLOKKEREN WEGGGLIJDN EN WEGGESLINGERDDE DELEN TE VERMIJDEN

- Om het risico op brandwonden of brand te beperken: Gebruik de machine nooit in de buurt van brandbare vloeistoffen, dampen en gassen,
- Zorg ervoor dat alle klemmen vastzitten en er is geen overmatige speling is op alle onderdelen,
- Houd uw werkomgeving schoon. Rommelige werkbanken kunnen tot ongevallen leiden. De werkvloer mag niet glad zijn.

Ken uw machine. Lees de gebruikshandleiding en de machine labels grondig . Leer de toepassing, ken de beperkingen van de machine evenals de specifieke en mogelijke gevaren ervan. Om het risico van letsel door toevallig contact met bewegende onderdelen te voorkomen, mag de instelling, assemblage van de machine niet gebeuren terwijl er onderdelen bewegen.

WANNEER DE MACHINE DRAAIT

WAARSCHUWING: Vertrouw niet op uw ervaring (na veelvuldig gebruik van het elektrisch gereedschap) dit kan leiden tot onachtzaamheid. Een onoplettendheid is genoeg om een ernstig letsel veroorzaken.

Als het apparaat een vreemd geluid maakt of veel trilt, stop dan onmiddellijk. Schakel het gereedschap uit. Haal de stekker uit het stopcontact. Niet opnieuw opstarten tot de oorzaak van het probleem gevonden is. Zorg ervoor dat alle bezoekers, omstanders en kinderen buiten het werkgebied van de machine blijven.

VOORALEER VASTGELOPEN MATERIEEL LOS TE MAKEN

- Zet de machine uit door de schakelaar in stand "OFF" te zetten,
- Wacht tot alle bewegende onderdelen tot stilstand zijn gekomen
- Haal de stekker uit het stopcontact.

LAAT NOOIT EEN DRAAIEND TOESTEL ONBEHEERD

- Schakel de machine uit
- Wacht tot alle bewegende onderdelen stilstaan,
- Haal de stekker uit het stopcontact

WAARSCHUWING: De werking van het toestel kan leiden tot rondvliegende deeltjes in uw ogen, wat kan leiden tot ernstige oogletsel. Voor u begint te werken met de machine draag altijd een veiligheidsbril met zijkappen en een masker wanneer nodig.

MAAK WERKPLAATS KINDVRIJ

Zet de winkel.

Sluit de deuren van de werkplaats af.

Bewaar de machine buiten bereik van kinderen en anderen niet opgeleide personen

Gebruik dit symbool om erop te wijzen belangrijke veiligheidsmaatregelen moeten nageleefd worden. Het betekent LET OP !!! Uw veiligheid is in gevaar.

MOTOR EN ELEKTRISCHE VEREISTEN

WAARSCHUWING: Sluit de machine aan op een veilig elektrisch circuit om het risico op elektrische gevaren, brand of schade aan de machine te verminderen,. Om het risico van elektrische schok of brand te beperken, vervang het netsnoer onmiddellijk als die beschadigd is.

WAARSCHUWING: Niet vingers toe om de aansluitingen van de stekker te raken bij het installeren of verwijderen van de stekker uit het stopcontact om lichamelijk letsel of mogelijk dood door elektrische schokken te voorkomen

MOTOR BESCHERMING

BELANGRIJK: Om te vermijden dat binnendringend stof de motor beschadigd, moet deze regelmatig proper geblazen of gestofzuigd worden..

1. Sluit de machine aan op de correcte spanning
2. Als de motor niet start, zet de schakelaar op "off" en haal de stekker uit het stopcontact.
3. Als de motor plotseling stopt bij het slijpen, zet de schakelaar op "off" en haal de stekker uit het stopcontact. De motor kan nu worden gestart.
4. Zekeringen of stroomonderbrekers kunnen het circuit uitschakelen voor de volgende redenen:
 - a. **Motor is overbelast** - Overbelasting kan optreden als u teveel in en uitschakelt in een korte tijd.
 - b. Bij zware belasting mag de spanning mag niet meer dan 10% boven of onder de spanning van het typeplaatje zijn. Het is best dat de spanning correct is . Onjuiste spanning leidt tot versnelde sleet van de motorcomponenten.
5. De meeste motor problemen kunnen worden veroorzaakt tot losse of verkeerde elektrische verbindingen, overbelasting, lage spanning, (zoals te kleine sectie draad in het voedingscircuit) of aan een te lange voedingskabel. Controleer altijd de aansluitingen, spanning en de elektrische toevoer wanneer de motor niet goed werkt. Controleer altijd de lengte en sectie van de kabel.

UITPAKKEN

WAARSCHUWING: Om het risico voor letsel door onverwacht starten of een elektrische schok te vermijden, steek de stekker niet in een stopcontact tijdens het uitpakken en de montage. Het snoer moet losgekoppeld blijven wanneer u werkt aan het toestel.

Uw gereedschap wordt compleet geleverd in een koffer.

Verwijder het gereedschap en alle losse onderdelen uit de doos. Plaats alle onderdelen op een veilige werkblad en controleer alle onderdelen.

LIJST VAN DE ONDERDELEN

Inhoudsopgave

Betonslijper	1
gebruiksaanwijzing	1
Borgmoersleutel	1
Flensleutel	1
L-inbussleutel	1
Flenzen	2

AANBEVOLEN VERBRUIKSGOEDEREN

Deze machine mag alleen worden gebruikt met diamant komschijven van 125mm diameter voor G5 en 180mm voor SM7 met 22.23mm (7/8") asgat of met M14 vrouwelijke draad .Alle ander gebruik is verboden. Gebonden schuurschijven en slijpstenen mogen niet worden gebruikt met deze machine.

IN GEBRUIKNAME

OPMERKING: Zorg ervoor dat de spanning dezelfde is als deze aangegeven op het typeplaatje van de machine en dat schakelaar op "OFF" staat voor u het machine inschakelt.

DE SCHAKELAAR

De machine heeft een blokkeerbare drukknop.
Druk de schakelaar in om de machine te starten.
Om de schakelaar aan te vergrendelen, drukt u op de blokkeerschakelaar terwijl u de-schakelaar ingedrukt is.
Om uit te schakelen, druk de schakelaar opnieuw in.



LET OP: Nadat de machine uitgeschakeld is, zal de as nog even blijven doordraaien. Zorg ervoor dat er geen lichamelijk contact is met de draaiende delen of houdt de machine naar beneden, terwijl deze nog draait!

HOE WORDT HET TOESTEL GEBRUIKT

Het toestel moet met beide handen worden gebruikt. Neem een veilige houding aan en houd de machine stevig **met beide handen** vast om de controle over het toestel tijdens het starten te behouden, hetgeen persoonlijk letsel zou kunnen veroorzaken. Bescherm uw ogen tegen letsel met een veiligheidsbril.

OVERBELASTING

Deze machine is uitgerust met een beveiliging tegen overbelasting, die de motor zal uitschakelen van zodra de maximaal toelaatbare stroom wordt overschreden. Als de motor uitschakelt, neem de machine weg van het schuuroppervlak, schakel de machine uit en daarna weer in. De machine wordt opnieuw opgestart.

LET OP: Als de machine overbelast werd, laat de machine enkele minuten onbelast draaien om de temperatuur terug te laten keren naar de normale temperatuur.

SNELHEID STABILISATOR

Deze machine is uitgerust met een elektronisch snelheid stabilisatie zelfs wanneer het toestel belast wordt.

VARIABELE SNELHEID FUNCTIE

Het toerental van de motor kan worden aangepast aan de behoeften van verschillende werksituaties. Draai de variabele snelheid wiel naar rechts om de snelheid te verhogen en tegen de klok in om te verlagen.



AANSLUITING STOFZUIGER

WAARSCHUWING: Het ontwikkelde stof verkregen door het slijpen kan schadelijk zijn voor de gezondheid.

Deze machine is speciaal ontworpen voor droog gebruik op beton en soortgelijke materialen. Het gebruikt komschijven en moet worden gebruikt met een geschikte stofzuiger; Laat het stof uitlaat nooit direct vrijkomen in de atmosfeer.

Om zuigslang te hechten aan de stofuitgang, houdt u de machine stevig vast met één hand. Daarna duwt u met een draaiende beweging de zuigslang in de stofuitgang.

STOFKAP

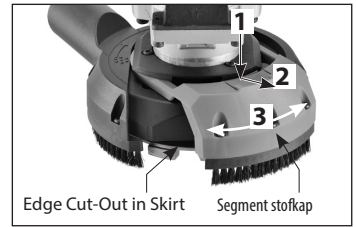
De stofkap moet ten alle tijde gemonteerd zijn als u de machine bedient. De stofkap is niet verstelbaar. The segmentvormige opening deur kan tijdelijk worden verwijderd om in de hoeken te schuren. (zie tekening)

DE RAND UITSPARING

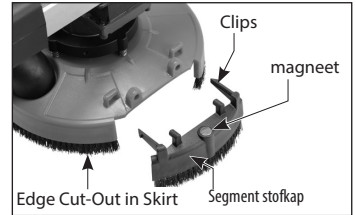
Wanneer men tegen een muur of in een hoek wil schuren, zal de stofkap verhinderen dat de komschijf tot aan de rand kan slijpen. Druk op het lipje van het G5 model, schuif het halve maanvormige sluitstuk naar buiten om het te ontgrendelen en draai dit dan naar de zijkant tot het klikt.

OPMERKING: Houd het mechanisme schoon. Bij opgehoopt stof kan het moeilijk geopend worden.

Op de SM7, kan men de segmentvormige kap verwijderen door beide clips naar binnen te duwen. Dit zal de komschijf toegang geven om in de hoek te schuren. De segmentvormige kap kan tijdelijk worden vastgehouden aan de handgreep met behulp van de magneet. Nu kan men slijpen tot aan de rand. De stofopvang zal minder goed zijn met open kap, dus van zodra de open kap niet meer nodig is moet de segmentkap terug geplaatst worden.



G5



SM7

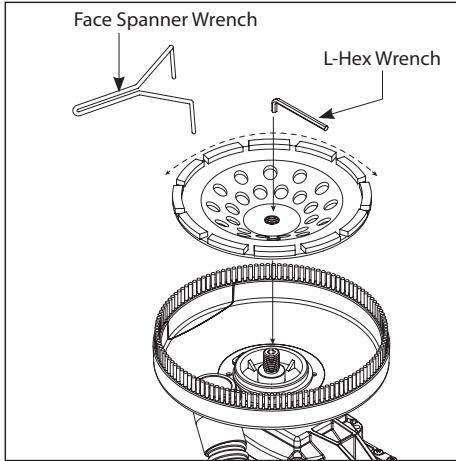
VERVANGEN VAN KOMSCHIJF

LET OP: Voordat u de komschijf vervangt, zet de machine op "OFF" en haal de stekker uit het stopcontact.

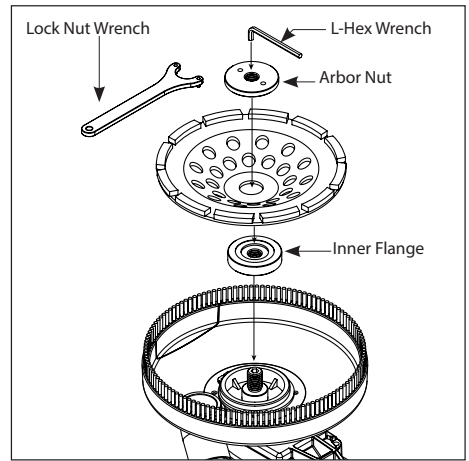
LET OP: De komschijf kan erg heet zijn door de voorgaande schuurhandeling . Laat de komschijf afkoelen voor het vervangen

1. Plaats het apparaat op een vlakke en stevige werkbank.
2. Als u een komschijf met wiel met M14 binnendraad gebruikt, worden de bijgeleverde flenzen niet gebruikt. draai gewoon de komschijf op de as. Gebruik de inbussleutel H5 om de as vast te houden en draai de komshijf vast met behulp van de flensleutel.
3. Bij gebruik van een komschijf met asgat, plaats in de eerste plaats de onderflens op de as. Monteer het wiel op de schouder van de onderste flens, rijg op het Arbor Nut. Gebruik de inbussleutel H5 om de as vast te houden en span aan met de flensleutel.
4. Bij het verwijderen van de komschijf gebruik tegengestelde handelingen.

MONTAGE VAN DE KOMSCHIJF MET M14 INWENDIGE DRAAD.



MONTAGE VAN DE KOMSCHIJF MET ASGAT



OPBERGEN

LET OP: Laat de machine niet rusten op de borstels, deze kunnen daardoor vervormen.

LET OP: Bewaar de machine niet met geknepen voedingskabel. Dit leidt tot beschadiging van de kabel

VERVANGING STOFOPVANGBORSTELS

Vervang de stofopvangborstels op de G5-modellen wanneer deze versleten zijn. Verwijder hiertoe 3 schroeven om de kleine borstel van het halve maanvormige sluitstuk te vervangen en 6 schroeven om de grote stofopvangborstels rondom te vervangen.

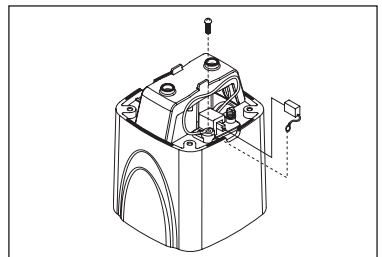
KOOLBORSTELS

De koolborstels maken deel uit van de onderdelen die onderhevig aan slijtage en moeten vervangen worden wanneer hun slijtage limiet bereikt is

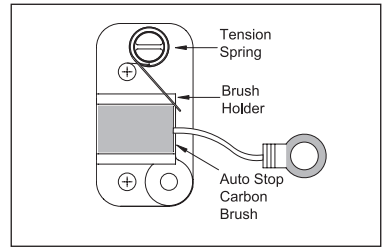
Let op: Vervang de borstels als een paar.

Vervangen van de koolborstels:

Verwijder de 4 schroeven er haal de motorkap er as. Beweeg de



delen voorzichtig zodat u de bedrading niet beschadigd. Maak de elektrische klem los met behulp van een dunne tang. Draai de schroef los om de borstelgeleider te verwijderen. De oude koolborstel kan nu uit de houder worden uitgeschoven. Plaats de een nieuwe koolborstels in omgekeerde volgorde. Plaats het kap terug in omgekeerde volgorde. Zorg ervoor dat u de bedrading niet beschadigd



ONDERHOUD

WAARSCHUWING: Om het risico voor letsel door onverwachte starten of een elektrische schok te vermijden, trek de stekker uit het stopcontact alvorens aan de machine te werken.

Houd het gereedschap schoon. Verwijder opgehoopt stof uit werkende delen. Zorg ervoor dat de machine goed werkt. Controleer regelmatig schroeven en bouten goed vastzitten.

MACHINE PROPER HOUDEN

Houd de machine en de luchtinlaat lamellen te allen tijde proper om correct en veilig werken te garanderen. Onder extreme omstandigheden kunnen metaaldeeltjes in de machine binnendringen deze kunnen de isolatie van de wikkelingen beschadigen. In dergelijke gevallen moet de machine regelmatig via het inlaatrooster worden proper geblazen. Het wordt aanbevolen om een stofzuiger te gebruiken met de slijper.

WAARSCHUWING: Om veiligheid en betrouwbaarheid, alle reparaties te verzekeren, met uitzondering van extern toegankelijke borstels, moet worden uitgevoerd bij een erkend Service Center.

WAARSCHUWING: Als het vervanging van de voedingskabel nodig is, moet worden uitgevoerd bij een erkend Service Center om de veiligheid in gevaar te voorkomen.

AFVALVERWIJDERING

Elektrische gereedschappen, toebehoren en verpakkingen moeten op een voor het milieu verantwoorde wijze worden hergebruikt. Gooi elektrische gereedschappen niet bij het huisvuil. Volgens de Europese richtlijn 2012/19/EU betreffende elektrische en elektronische oude apparaten en de omzetting van de richtlijn in nationaal recht moeten niet meer bruikbare elektrische gereedschappen apart worden ingezameld en op een voor het milieu verantwoorde wijze worden hergebruikt

Geluid- en trillingsinformatie

Gemeten volgens EN 60745-2-3

Modelnr. : G5, SM7

Geluidsniveau :	Geluidsdrukniveau(L_{pA}): 90.0 dB (A)	
	Geluidsvermogensniveau(L_{wA}): 101.0 dB(A)	K = 3.0 dB(A)
Vibratieniveau:	$a_h = 7.5 \text{ m/s}^2$	$K = 1.5 \text{ m/s}^2$

Het in deze gebruiksaanwijzing vermelde trillingsniveau is gemeten met een volgens EN 60745 genormeerde meetmethode en kan worden gebruikt om elektrische gereedschappen met elkaar te vergelijken. Het is ook geschikt voor een voorlopige inschatting van de trillingsbelasting.

- Het gebruik van het toestel voor andere toepassingen, of met andere of slecht onderhouden accessoires, kan een significante toename van de blootstelling tot gevolg hebben
- Wanneer het gereedschap is uitgeschakeld of onbelast draait, kan een significante daling van de blootstelling tot gevolg hebben.

Leg aanvullende veiligheidsmaatregelen ter bescherming van de bediener tegen het effect van trillingen vast, zoals: Onderhoud van elektrische gereedschappen en inzetgereedschappen, warm houden van de handen, organisatie van het arbeidsproces

CE Declaration of Conformity

We verklaren op onze verantwoordelijkheid dat het onder „Technische gegevens” beschreven product aan alle desbetreffende bepalingen van de richtlijnen EN 60745-1: 2009 + A11: 2010; EN 60745-2-3: 2011 + A2: 2013 + A11: 2014 + A12: 2014 + A13: 2015, EN 61000, EN 55014 met de volgende normen overeenstemt 2014/30/EU, 2006/42/EC, 2011/65/EU

•Technische Onderlagen: LEE YEONG INDUSTRIAL CO., LTD., NO.2, KEJIA RD., DOULIU CITY, YUNLIN COUNTY 64057, TAIWAN

You-Chun, Liu
Operation & Engineering

You Chun Liu

Chih-Hao, Lai
Approval Manager

chih hao lai

LEE YEONG INDUSTRIAL CO., LTD.,
NO.2, KEJIA RD., DOULIU CITY, YUNLIN COUNTY 64057, TAIWAN 07.04.2014

LEE YEONG INDUSTRIAL CO., LTD.

NO.2, KEJIA RD., DOULIU CITY,
YUNLIN COUNTY 64057, TAIWAN

TEL: 886-5-5518689 (REP)

Fax: 886-5-5518635